



THERMAL IMAGING MONOCULAR

KRYPTON XG50

**USER
MANUAL**

ENGLISH | FRANÇAIS | DEUTSCH | ESPAÑOL | ITALIANO | РУССКИЙ

EN Electromagnetic compatibility.
This product complies with the requirements of European standard EN 55032: 2015, Class A.
Caution: Operating this product in a residential area may cause radio interference.
Attention! A license is required for Thermal Imager KRYPTON XG50 when exporting outside your country.
Improvements may be made to the design of this product to enhance its user features.
The current version of the Operation Manual can be found on the website:
www.pulsar-vision.com

FR Compatibilité électromagnétique.
Ce produit est conforme aux exigences de la norme européenne EN 55032: 2015, classe A.
Attention: L'utilisation de ce produit dans une zone résidentielle peut provoquer des interférences radio.
Attention! Les modules d'imagerie thermiques Krypton XG50 nécessitent l'obtention d'une licence s'ils sont exportés hors de votre pays.
La configuration peut être modifiée afin d'améliorer l'utilisation de l'appareil.
La version actuelle du manuel d'utilisation est disponible sur le site
www.pulsar-vision.com

DE Elektromagnetische Verträglichkeit.
Dieses Produkt entspricht den Anforderungen der Europäischen Norm EN 55032:2015, Klasse A.
Achtung: Der Betrieb dieses Produktes in Wohngebieten kann Funkstörungen verursachen.
Achtung! Die Wärmebildgeräte Krypton XG50 erfordern eine Lizenz, wenn sie über die Grenzen Ihres Landes exportiert werden.
Änderungen im Design zwecks höherer Gebrauchseigenschaften des Produktes vorbehalten.
Die aktuelle Version der Bedienungsanleitung finden Sie unter www.pulsar-vision.com

ES Compatibilidad electromagnética.
Este producto cumple con los requisitos de la norma europea EN 55032:2015, Clase A.
Advertencia: el uso de este producto en la zona residencial puede provocar interferencias de radiofrecuencia.
¡Atención! Los dispositivos de imagen térmica Krypton XG50 requieren una licencia si se exportan fuera de su país.
El diseño de este producto está sujeto a modificaciones con el fin de mejorar sus características de uso.
Encontrará la última edición del manual de usuario en el sitio web www.pulsar-vision.com

IT Compatibilità elettromagnetica.
Questo prodotto è conforme ai requisiti della norma europea EN 55032:2015, Classe A.
Attenzione! l'uso di questo prodotto in un'area residenziale può causare dei radiodisturbi.
Attenzione! I visori termici Krypton XG50 necessitano di un certificato nel caso in cui vengano esportati.
Per migliorare le proprietà del prodotto nella sua costruzione possono essere apportate delle modifiche.
La versione aggiornata delle istruzioni d'uso è disponibile sul sito www.pulsar-vision.com

RU Электромагнитная совместимость.
Данный продукт соответствует требованиям европейского стандарта EN 55032:2015, Класс А.
Внимание: эксплуатация данного продукта в жилой зоне может создавать радиопомехи.
Внимание! Тепловизоры Кrypton XG50 требуют лицензии, если они экспортируются за пределы Вашей страны.
Для улучшения потребительских свойств изделия в его конструкцию могут вноситься усовершенствования.
Актуальную версию инструкции по эксплуатации Вы можете найти на сайте www.pulsar-vision.com

USER MANUAL FOR KRYPTON XG50 THERMAL IMAGING MONOCULAR	3-11	ENGLISH
MANUEL DE L'UTILISATEUR DU MODULE THERMIQUE KRYPTON XG50	12-20	FRANÇAIS
BETRIEBSANLEITUNG FÜR DAS WÄRMEBILDGERÄT KRYPTON XG50	21-30	DEUTSCH
MANUAL DE INSTRUCCIONES DEL DISPOSITIVO DE IMAGEN TÉRMICA KRYPTON XG50	31-39	ESPAÑOL
ISTRUZIONI PER L'USO DEL MONOCOLO TERMICO KRYPTON XG50	40-48	ITALIANO
ИНСТРУКЦИЯ ПО ЭКСПЛУАТАЦИИ ТЕПЛОВИЗОРА KRYPTON XG50	49-57	РУССКИЙ



⚡ TECHNICAL SPECIFICATIONS

MODEL	KRYPTON XG50
SKU	77375
Microbolometer	
Type	Uncooled
Resolution, Pixels	640x480
Pixel Pitch, µm	12
Frame Rate, Hz	50
Optical characteristics	
Monocular magnification, x	5
Recommended daylight optics magnification, x	1.5-6
Lens	F50 / 1.2
Digital Zoom, x	-
Eye Relief, mm	18
Eye Relief Diameter, mm	6
Field-of-view (Horizontal), deg/m per 100 m	8.7 / 15.4
Eyepiece Focusing Range, Diopter	+5 / -5
Detection Range (Animal Height 1.7 m), m/y	2300 / 2515
Minimum Focusing Distance, m	5
Display	
Type	AMOLED
Resolution, Pixels	1746x1000
Operational characteristics	
Power Supply, V	3-4.2
Battery type	Li-Ion Battery Pack IPS 7
Capacity	6400 mAh
Rated Output Voltage	DC 3.7 V
External Power Supply	5 V (USB)
Max. Battery Pack Life (at t = 22 °C), hours*	8
Operating temperature, °C	-25 ... +50
Overall Dimensions, mm/inch	260x93x76 / 10.24x3.66x2.99
Weight (without battery and monocular), kg/oz	0.52 / 18.34
Video recorder	
Photo/Video Resolution, Pixels	960x720
Video/Photo Format	.mp4/ .jpg
Built-in Memory	16 GB
Wi-Fi channel	
Frequency	2.4 GHz
Standard	802.11 b/g
Line-of-Sight Reception Range, m**	up to 15

* Actual operating time will depend to what extent the Wi-Fi and built-in video recorder is used.

**The reception range may vary depending on various factors: obstacles, other Wi-Fi networks.

⚡ PACKAGE CONTENTS

- KRYPTON XG50
- Pulsar 5x30 B Monocular
- Carrying Case
- IPS7 Battery Pack
- Battery Pack Charger
- Power Adapter
- USB Cable
- Quick Start Guide
- Lens-Cleaning Cloth
- Warranty Card

⚡ DESCRIPTION

The KRYPTON XG50 thermal imager is designed for a variety of applications, including hunting surveillance, security activities, day and night photo and video shooting. The KRYPTON XG50 thermal imaging module can be mounted (using the correct Ring Adapter) on to the objective lens housing of various daylight optical devices, converting them into a highly-sensitive thermal imaging device.

⚡ FEATURES

- High resolution thermal imaging microbolometer
- Microbolometer pixel size of 12 microns
- High-resolution AMOLED display
- Easily converts daylight optical devices into thermal imaging devices
- Preserves the benefits of daylight optics in night-time conditions
- Three calibration modes (manual, semi-automatic and automatic)
- Four observation modes: Forest, Rocks, Identification, User
- Compatible with a wide range of daylight optical magnifications
- Detection distance up to 2300 m
- Instant start
- Display off function
- Built-in video recording
- Remote firmware update
- Fully watertight (IPX7 protection class)
- Wide operating temperature range (-25 °C – +50 °C)

VIDEO/AUDIO RECORDING

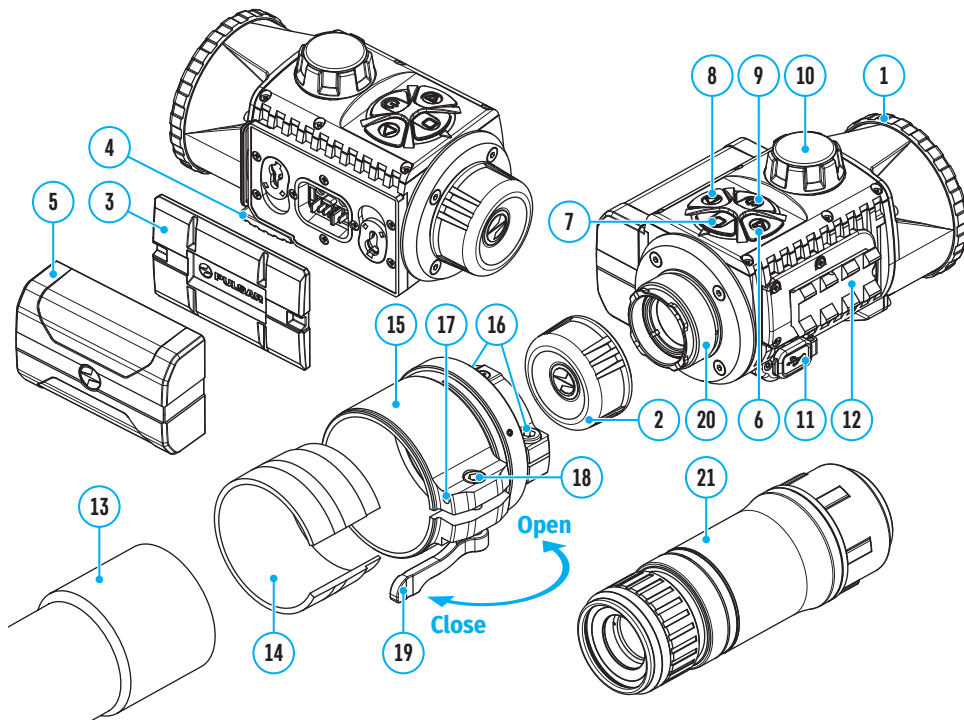
- Built-in video recorder
- Integration with iOS and Android devices
- Wi-Fi Smartphone remote control and surveillance
- YouTube Live broadcasting and direct recording on the Internet via a smartphone and the Stream Vision app.

BATTERY PACK

- Quick-change IPS7 Li-ion battery pack
- USB charging option

⚡ COMPONENTS AND CONTROLS

1. Lens cover
2. Eyepiece cover
3. Battery compartment cover
4. Battery locking lever
5. Battery pack
6. RIGHT/REC button
7. MENU button
8. LEFT/MODE button
9. ON/CALIBRATION button
10. Lens focus knob
11. USB port
12. Weaver rail
13. Objective lens end of daylight optical device
14. Insert
15. Adapter
16. Screws
17. Tightening screw
18. Screw
19. Adapter lever
20. Mount
21. Pulsar 5x30 B Monocular



⚡ BUTTONS OPERATION

Control	Mode of operation	Single short press	Subsequent short presses	Long press
ON (9) ⏻	Device is turned off	Turn on device	Device calibration	Turn on device
	Display is turned off	Turn on display	Device calibration	Turn off device
	Device is turned on, quick menu, main menu			Turn off display/Turn off device
LEFT/MODE (8) ◀	Device is turned on	Observation modes		Select color palette
	Quick menu	Decrease value		
	Main menu	Down, counter-clockwise navigation		
MENU (7) □	Device is turned on	Enter quick menu		Enter main menu
	Quick menu	Upwards navigation		Exit quick menu
	Main menu	Confirm value, enter menu items		Exit menu items, main menu
RIGHT/REC (6) ▶	Device is turned on, video mode	Start video recording	Pause	Toggle between video/photo mode
	Device is turned on, video mode, recording is on	Pause	Continue video recording	Stop video recording
	Device is turned on, photo mode	Photography		Toggle between video/photo mode
	Quick menu	Increase value		
	Main menu	Up, clockwise navigation		

⚡ USING BATTERY PACK

The KRYPTON XG50 thermal imager comes with a rechargeable Lithium-ion IPS7 Battery Pack that allows you to use the device for up to 8 hours. Charge the battery completely before first use.

CHARGING BATTERY PACK:

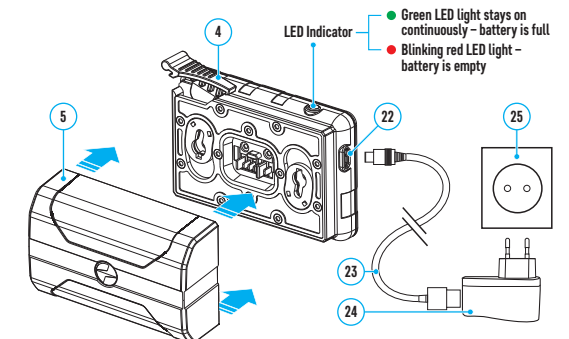
- Lift up the lever (4) of the Charger.
- Remove the protective cover from the rechargeable battery.
- Insert the Battery Pack (5) into the Charger until it stops; lock the Battery by lowering the lever (4).

Once installed on the charger, a green indicator lights up and begins flashing at a set interval:

- once if the battery charge ranges from 0% to 50%;
- twice if the battery charge ranges from 51% to 75%;
- three times if the battery charge ranges from 76% to 99%.

When the indicator is continuously green, the battery is completely charged. Disconnect the charger from the mains; disconnect the battery from the charger.

- To charge the battery, connect the micro-USB plug of the USB cable (23) to the Micro USB port (22) of the charger.
- Connect the second plug of the USB cable (23) to the Power adapter (24).
- Plug the Power adapter (24) into a 100-240 V socket (25) – the battery charging process will start.

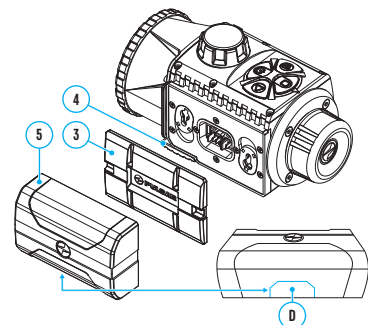


Attention! When the indicator of the charger is continuously red upon battery installation, the battery charge level is probably lower than acceptable (the battery has been in deep discharge for too long). In this case:

- Connect the charger with the battery inserted to the mains and leave it for a long time (up to several hours) to charge.
- Remove the battery from the charger and then re-insert it into the charger.
- If the indicator starts blinking green, the battery is fault free.
- If the indicator stays on red, the battery is faulty. Do not use the battery!

INSTALLING BATTERY PACK

- Lower the lever (4).
- Remove the protective cover of the battery compartment (3).
- Remove the Battery (5) from the Charger.
- Insert the Battery (5) into the slot on the device body specially designed for it so that the element D (a ridge on the Battery body) is facing downwards.
- Lock the Battery (5) by lifting the lever (4).



PRECAUTIONS

- Always use the IPS charger supplied with the device (or purchased separately) to charge IPS batteries. Using the unsuitable charger can cause irreparable damage to the battery and fire.
- Do not charge the battery immediately after bringing it from cold to warm. Wait at least 30 minutes for the battery to warm up.
- Do not leave the battery unattended while charging.
- Do not use the charger if it has been modified or damaged.
- Do not leave the battery in a charger connected to the network after charging is complete.
- Do not expose the battery to high temperatures and naked flame.
- Do not use the battery as a power source for devices that do not support IPS7 batteries.
- Do not disassemble or deform the battery.
- Do not drop or strike the battery.
- Do not submerge the battery.
- Keep the battery out of the reach of children.

Attention! Please do not use the IPS 14 Battery Pack with the KRYPTON XG50 due to battery's heavy weight.

RECOMMENDATIONS FOR USE

- The battery should be partially charged for long-term storage – 50 to 80 %.
- The battery should be charged at an ambient temperature of 0°C...+35°C (+32°F...+95°F). Otherwise, lifespan of the battery will decrease significantly.
- When using the battery at sub-zero temperatures, the battery capacity decreases, this is normal and not a defect.
- Do not use the battery at temperatures outside the range of -25 °C...+50 °C (-13°F...+122°F) – this may reduce battery's life.
- The battery has a short-circuit protection. However, any situation that may cause short-circuiting should be avoided.

⚡ EXTERNAL POWER SUPPLY

External power is supplied from an external source, such as a 5V Power Bank.

- Attach the external power source to the device's USB connector (11).
- The device will switch to operation from the external power source, while the IPS7 battery will be gradually recharged.

- An icon of a battery will appear on the display showing its charge as a percentage.
- If the device is operated from an external power source and the IPS7 battery is not connected, an icon is displayed .
- When the external power supply is disconnected, the device switches to the internal power supply without the device powering off.

Attention! Charging Power Bank IPS7 batteries at air temperatures below 0 °C can result in reduced battery life. When using external power, connect Power Bank to the switched-on device, which have worked for several minutes.

⚡ OPERATION

ATTENTION! The lens of the device must not be pointed at any sources of intense energy, such as laser-emitting devices or the sun. This may damage the electronic components in the device. Damage caused by failure to comply with the operating guidelines is not covered under warranty.

INSTALLING THERMAL IMAGING MODULE ON THE OPTICAL DEVICE

- Remove the eyepiece cover (2).
- Select the Ring Adapter (15) (sold separately) with the insert (14) of the desired diameter depending on the outer diameter of the lens of your optical device (13) (see table). The designation 42 mm / 50 mm / 56 mm in the name of the adapter means the lens diameter of the optical device.

Selection table for optical device inserts

Ring Adapter model	The internal diameter of the insert needs to match the outer diameter of the objective lens housing of the daylight optical device it is being installed on.	
	Insert internal diameter, mm	Suitable for lens housing of daylight optical devices with an outer diameter of, mm
PSP Ring Adapter 42 mm	45.5	45.5
	46	46
	46.5	46.5
	47	46.7-47.6
	48	47.7- 48.6
	49	48.7-49.6
PSP Ring Adapter 50 mm	50	49.7-50.6
	51.6	51.6
	53.4	53.4
	55	54.7-55.6
	56	55.7-56.6
	57	56.7-57.6
	58	57.7-58.6
	59	58.7-59.6

Ring Adapter model	The internal diameter of the insert needs to match the outer diameter of the objective lens housing of the daylight optical device it is being installed on.	
	Insert internal diameter, mm	Suitable for lens housing of daylight optical devices with an outer diameter of, mm
PSP Ring Adapter 56 mm	60	59.7-60.6
	61	60.7-61.6
	62	61.7-62.6
	63	62.7-63.6
	64	63.7-64.6
	65	64.7-65.6

• Screw together the Ring Adapter (15) and the thermal imaging module along the threads of the mount (20). The recommended lever (19) position is on the right (see Fig.).

• Evenly tighten the screws (16) until it just grips onto the Krypton mount (20) (they will be fully tightened in a later step)

• Push the insert (14) of your choice into the Ring Adapter (15) until it stops.

• Before installing the Ring Adapter (15) onto the optical device, it is recommended to degrease the lens body of the optical device (13).

• Mount the Ring Adapter with the insert onto the lens of the daylight optical device (13) as far as it will go.

• Move the lever (19) from its initial OPEN position to the CLOSE position.

• Ensure that the Ring Adapter fits snugly against the lens housing and there is no movement.

• If the Ring Adapter with the thermal imaging module moves freely relative to the lens of the optical device (13), do the following:

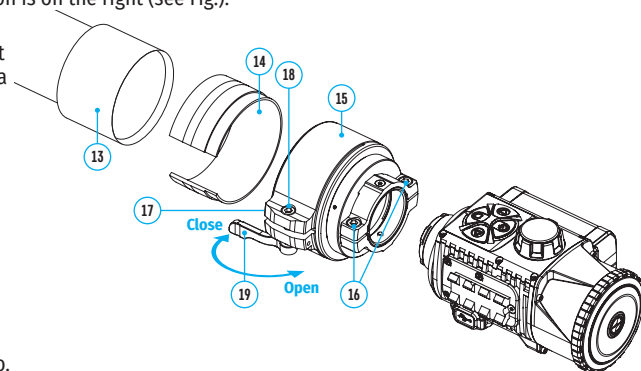
- Loosen the locking screw (17) with a 2 mm Allen key.
- Tighten the screw (18) using a 4 mm Allen key. The clamping force should ensure the tight operation of the lever (19), while the Ring Adapter with the thermal imaging module should not move relative to the body of the optical device (13). If necessary, tighten or loosen the screw (18) to operate the lever (19) in the best way possible.
- Tighten the locking screw (17) as far as it will go.

• Turn on the thermal imaging module by briefly pressing the ON (9) button.

• Turn on the device and align the image center on the KRYPTON XG50 display with the image center of the daylight optical device by carefully tilting the thermal imaging module.

• Align the top and bottom display boundaries of the KRYPTON XG50 parallel to the horizontal line of the daylight optical device's reticle.

• Having reached the best possible position of the thermal imaging module, tighten the two screws (16) until stop. The clamping force should be 7 N·m (use a torque screwdriver to check).

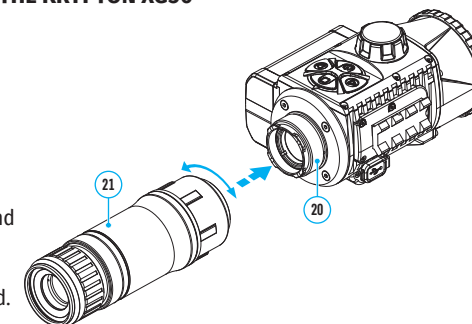


INSTALLING PULSAR 5X30 B MONOCULAR ON TO THE KRYPTON XG50

The Pulsar 5x30 B monocular (21) allows you to transform the KRYPTON XG50 into a hand-held thermal imager with 5x magnification.

- Align the tabs on the monocular with the slots of the mount (20).
- Turn the monocular clockwise to secure it on the thermal imaging module.
- To remove the monocular, turn it counterclockwise and disconnect from the thermal imaging module.

Note: the monocular can be installed on the thermal imaging module with the Ring Adapter already installed.



POWERING ON AND IMAGE SETUP

- Remove the lens cover (1) by turning it counterclockwise.
- Press the ON (9) button to turn on the thermal imager.
- Adjust the eyepiece diopter ring of your daylight optical device until the symbols in the display are sharp. In future, it will not be necessary to adjust the eyepiece diopter, regardless of the distance and other conditions.
- Rotate the lens focus knob (10) to focus on the visual target.
- Enter the main menu with a long press of the MENU (7) button and select the desired calibration mode: manual (M), semi-automatic (SA) or automatic (A).
- Calibrate the image by briefly pressing the ON (9) button. Close the lens cover when calibrating manually.
- Select the desired observation mode (Forest, Rocks, Identification or User) by briefly pressing the MODE (8) button or in the main menu. User mode allows you to change and save user brightness and contrast settings in the quick menu.
- Select one of the two color palettes by a long press of the MODE (8) button.
- Activate the quick menu by briefly pressing the MENU (7) button to adjust the brightness and contrast of the display (see the Quick Menu Functions section of the manual for details).
- Upon completion of use, turn the device off by a long press of the ON (9) button.

⚡ MICROBOLMETER CALIBRATION

Calibration enables the microbolometer temperature background to be equalized and defects in the image (such as vertical lines, phantom images etc.) to be eliminated.

During calibration, the image on the display freezes briefly for up to 1 second.

There are three calibration modes: manual (M), semi-automatic (SA) and automatic (A).

Select the required mode in the Calibration mode section of the menu ⇄.

M mode (manual).

- Secure the lens cap and briefly press the ON (9) button.
- After completing the calibration process, remove the lens cap.


SA mode (semi-automatic)

- Calibration is engaged by a brief press of the ON (9) button.
- The lens cap does not need to be secured (the microbolometer is closed by an internal shutter).

A mode (automatic)

- The device is calibrated autonomously, in accordance with the firmware algorithm.
- The lens cap does not need to be secured (the microbolometer is closed by an internal shutter).
- In this mode, the device may be calibrated by the user using the ON (9) button.


⚡ IMAGE DETAIL BOOST




The Image Detail boost  function increases the sharpness of the contours of heated objects, which increases their detail. The result of the function depends on the selected mode and observation conditions: the higher the contrast of objects, the more noticeable the effect. This option is enabled by default, but can be disabled in the main menu.

⚡ QUICK MENU FUNCTIONS

- Enter the menu with a short press of the MENU (7) button.
- To select the functions below, press successively MENU (7) button.

Brightness  – press the RIGHT (6) / LEFT (8) buttons to change the display brightness value from 0 to 20.

Contrast  – press the RIGHT (6) / LEFT (8) buttons to change the display contrast value from 0 to 20.

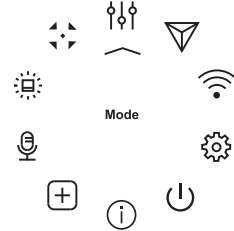
Basic mode    – it allows you to select one of the three modes as the basic one for the user mode.

- To exit the menu, press and hold down the MENU (7) button, or wait 10 seconds for automatic exit.

⚡ MAIN MENU FUNCTIONS

- Enter the menu with a long press of the MENU (7) button.
- Press the RIGHT (6) / LEFT (8) buttons to move through the menu functions.
- One short press of the MENU (7) button opens a menu item.
- To exit the menu, press and hold down the MENU (7) button.

Automatic exit from the menu occurs after 10 seconds of inactivity.



MAIN MENU CONTENTS AND DESCRIPTION


Mode 	<p>The device has four observation modes of the thermal imager: Forest (observation mode of objects within low thermal contrast conditions), Rocks (observation mode of objects within high thermal contrast conditions), Identification (high detailization mode), and User (individual brightness and contrast settings).</p> <p>Option 1:</p> <ul style="list-style-type: none"> • Briefly press the MODE (8) button to switch observation modes. <p>Option 2:</p> <ul style="list-style-type: none"> • Press and hold the MENU (7) button to enter the menu. • Select the Mode option with RIGHT (6) / LEFT (8) buttons. • A short press of the MENU (7) button opens the menu. • Select one of the modes described below with RIGHT (6) / LEFT (8) buttons. • A short press of the MENU (7) button confirms the selection. <p>▲ Rocks. This is the best mode when observing objects after a sunny day or within urban conditions.</p> <p>▲▲ Forest. This is the best mode when searching and observing within field conditions, against the background of leaves, bushes and grass. The mode is highly informative about an object being observed as well as landscape details.</p> <p>👁️ Identification. This is the best mode when observing objects within adverse weather conditions (fog, mist, rain and snow). It allows you to recognize the characteristics of an object being observed more clearly. Increased detail may be accompanied by insignificant image graininess.</p> <p>👤 User. It allows you to configure and save custom brightness and contrast settings, as well as one of the three modes as a base.</p>
--	--

Image Detail Boost



Turn on/off Image Detail Boost.

- Press and hold the MENU (7) button to enter the menu.
- Select the Image Detail Boost option with the RIGHT (6) or LEFT (8) buttons.
- A short press of the MENU (7) button opens the submenu.
- To turn Image Detail Boost on or off press RIGHT (6) or LEFT (8) buttons.
- Confirm your selection with a short press of the MENU (7) button.

Wi-Fi settings



This menu option allows you to set up your device for operation in a Wi-Fi network.

- Press and hold the MENU (7) button to enter the menu.
- Select the Wi-Fi settings option with RIGHT (6) or LEFT (8) buttons.
- A short press of the MENU (7) button opens the menu section.

Wi-Fi activation



Turn Wi-Fi on/off.

- Select the Wi-Fi activation option with the RIGHT (6) or LEFT (8) buttons.
- A short press of the MENU (7) button opens the submenu.
- To turn Wi-Fi on or off press RIGHT (6) or LEFT (8) buttons.
- Confirm your selection with a short press of the MENU (7) button.

Password setup



This submenu allows you to set a password to access your thermal imaging monocular from a mobile device.

- Select the Password setup option with the RIGHT (6) or LEFT (8) buttons.
- A short press of the MENU (7) button opens the submenu.
- The default password (12345678) will appear on the screen.
- Set your desired password with the RIGHT (6) and LEFT (8) buttons. Press the MENU (7) button to toggle the digits.
- Press and hold down the MENU (7) button to save the password and exit the submenu.

Access level setup



This submenu allows you to set access levels of Stream Vision application to your device.

- Access level Owner. Stream Vision user has complete access to all device's functions.
- Access level Guest. Stream Vision user has access only to real time video stream from the device.
- Select the Access level setup submenu with the RIGHT (6) or LEFT (8) buttons.
- A short press of the MENU (7) button opens the submenu
- Select Owner or Guest with the RIGHT (6) or LEFT (8) buttons.
- Confirm your selection with a short press of the MENU (7) button.

General Settings



This menu section allows you to change the interface language, set the date, time, units of measure, return the device to factory default settings and perform memory card formatting.

- Press and hold the MENU (7) button to enter the menu.
- Select General Settings option with the RIGHT (6) or LEFT (8) buttons.
- A short press of the MENU (7) button opens the submenu.

Language



Interface language selection.

- Enter the Language submenu with a short press of MENU (7) button.
- Select one of the available interface languages (English, French, German, Spanish or Russian) with the RIGHT (6) or LEFT (8) buttons.
- Confirm your selection with a short press of the MENU (7) button.

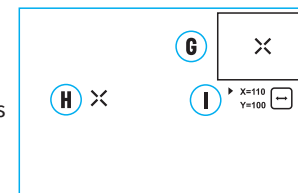
Date 📅	<p>Date setup.</p> <ul style="list-style-type: none"> Select the Date option with the RIGHT (6) or LEFT (8) buttons. Enter the submenu with a short press of MENU (7) button. The date appears in dd/mm/yyyy format (12/08/2020). Set the required year, month and day with the RIGHT (6) or LEFT (8) buttons. Press the MENU (7) button to toggle the digits. To save your chosen date and exit the submenu, press and hold the MENU (7) button.
Time 🕒	<p>Time setup.</p> <ul style="list-style-type: none"> Select the Time option with the RIGHT (6) or LEFT (8) buttons. Enter the submenu with a short press of the MENU (7) button. Select the time format (24-hour clock or AM/PM) by pressing the RIGHT (6) or LEFT (8) buttons. Switch to hour setup with a short press of the MENU (7) button. Select hour value with a short press of the RIGHT (6) or LEFT (8) buttons. Switch to minute setup with a short press of the MENU (7) button. Select minute value with a short press of RIGHT (6) or LEFT (8) buttons. Save selected time value and exit the submenu with a long press of the MENU (7) button.
Default Settings ↶	<p>Restore default settings.</p> <ul style="list-style-type: none"> Select the Default Settings option with the RIGHT (6) or LEFT (8) buttons. Enter the submenu with a short press of the MENU (7) button. With a short press of RIGHT (6) or LEFT (8) buttons select Yes to restore default settings or No to abort. Confirm your selection with a short press of the MENU (7) button. <p>The following settings will be restored to their factory state before being set by the user:</p> <ul style="list-style-type: none"> – Video recorder mode – video – Observation mode – Forest – Calibration mode – automatic – Language – English – Wi-Fi – off (default password) – Color palette – White Hot <p>Attention! When restoring the factory defaults the date, time and user pixel map are saved.</p>
Format 🗑️	<p>This function enables you to format the Flash memory card. All files will be deleted.</p> <ul style="list-style-type: none"> Select the Format option with the RIGHT (6) or LEFT (8) buttons. Enter the submenu with a short press of the MENU (7) button. With a short press of RIGHT (6) / LEFT (8) buttons select Yes to format the memory card or No to return to the submenu. Press the MENU (7) button briefly to confirm your selection. If Yes is selected, the message "Do you want to format the memory card?" appears on the display as well as Yes and No options. Select Yes to format the memory card. Selecting the No option will cancel the formatting and exit the submenu.

Auto shutdown 🕒	<p>This item allows you to activate the auto shutdown function for when the device is in a non-operating position (tilted up or down at an angle of more than 70°, right or left at an angle of more than 30°).</p> <ul style="list-style-type: none"> Press and hold the MENU (7) button to enter the main menu. Use the RIGHT (6) or LEFT (8) buttons to select the Auto shutdown submenu. Press the MENU (7) button briefly to enter the submenu. Use the RIGHT (6) or LEFT (8) buttons to select the time period (1 min, 3 min, 5 min) upon expiry of which the device will automatically shut down, or select Off if you wish to deactivate Auto shutdown. Press the MENU (7) button briefly to confirm the selection. <p>Note: If the Auto shutdown function is activated, the status bar shows an icon and shutdown time period as 🕒 1 min.</p>
---------------------------	---

Device Information 📄	<p>This menu item allows the user to view the following information about the device:</p> <ul style="list-style-type: none"> – SKU Number – Firmware Version – Device Name – Hardware Version – Device Serial Number – Service Information <p>To display information, do the following:</p> <ul style="list-style-type: none"> Press and hold the MENU (7) button to enter the main menu. Use the RIGHT (6) or LEFT (8) buttons to select the Device Information icon 📄. Press the MENU (7) button briefly to view / exit the information.
--------------------------------	---

Defective Pixel Repair 🔧	<p>When using the device, defective (dead) pixels may appear on the sensor. These are bright or dark points of a constant brightness that are visible on the image.</p> <p>KRYPTON XG50 thermal imagers allow the user to remove any defective pixels on the sensor using firmware as well as to cancel removing.</p> <ul style="list-style-type: none"> Press and hold the MENU (7) button to enter the main menu. Use the RIGHT (6) or LEFT (8) buttons to select the Defective Pixel Repair icon 🔧. Press the MENU (7) button to enter the submenu.
------------------------------------	---

Defective Pixel Repair 🔧	<ul style="list-style-type: none"> Select the Defective Pixel Repair option by briefly pressing the MENU (7) button. A marker ⚡ (H) will appear on the left side of the display. A magnifying glass (G) will appear on the right side of the display – a rectangle with an enlarged view of the marker for precise pixel selection – and the coordinates (I) of the marker under the magnifying glass. Press the RIGHT (6) or LEFT (8) buttons briefly to align a defective pixel with the center of the enlarged marker in the magnifying glass – the pixel should be removed. Press the MENU (7) button briefly to switch the marker direction between the horizontal to the vertical. Press the ON (9) button briefly to delete the dead pixel. Once the pixel has been successfully deleted, an OK message will briefly appear on the screen. You can then delete the next defective pixel if required by moving the marker across the display. Press and hold the MENU (7) to exit the function.
------------------------------------	--



Restore Default Pixel Map ↶	<p>This option allows the user to return all previously disabled defective pixels to their original state.</p> <ul style="list-style-type: none"> Use the RIGHT (6) or LEFT (8) buttons to select the Restore Default Pixel Map icon ↶ . Activate the function by briefly pressing the MENU (7) button. Using the RIGHT (6) or LEFT (8) buttons, select Yes if you want to return to the factory pixel map or select No if you do not. Confirm your selection with a short press of the MENU (7). <p>Attention! One or two pixels on the display of the device in the form of bright white, black or colored (blue, red or green) points may appear. These points cannot be removed and are not a defect.</p>
Microphone 🔇	<p>Turning microphone on / off.</p> <p>This item allows you to enable (or disable) the microphone for recording sound during video recording.</p> <ul style="list-style-type: none"> Press and hold the MENU (7) button to enter the main menu Select Microphone option with the RIGHT (6) or LEFT (8) buttons. A short press of the MENU (7) button opens the submenu. To turn the microphone on or off press RIGHT (6) or LEFT (8) buttons. Confirm your selection with a short press of the MENU (7) button.
Icon Brightness ☼	<p>Icon brightness</p> <ul style="list-style-type: none"> Press and hold the MENU (7) button to enter the main menu. Use the RIGHT (6) or LEFT (8) buttons to select the Icon Brightness icon ☼ . Press the MENU (7) button briefly to enter the submenu. Use the RIGHT (6) or LEFT (8) buttons to select the desired brightness level from 0 to 10. Press the MENU (7) button briefly to confirm the selection.
Calibration Mode ↻	<p>Calibration mode selection</p> <p>There are three calibration modes: Manual, Semi-Automatic and Automatic.</p> <ul style="list-style-type: none"> Press and hold the MENU (7) button to enter the main menu. Use the RIGHT (6) or LEFT (8) buttons to select the Calibration Mode icon ↻ . Press the MENU (7) button briefly to enter the submenu. Use the RIGHT (6) or LEFT (8) buttons to select one of the calibration modes described below. Press the MENU (7) button briefly to confirm the selection. <p>Automatic. In this mode the firmware determines the need for calibration. The calibration process starts automatically.</p> <p>Semi-Automatic. The user determines the need for calibration based on the image quality and can action at a convenient time depending on the object being observed.</p> <p>Manual. In the Manual (silent) calibration mode the user determines the need for calibration (as in SA mode) but the lens cover must be closed during calibration.</p>

⚡ STATUS BAR



The status bar is at the bottom of the display and displays information on the actual operating status of the device, including:

- Color Mode (shown only when the Black Hot color mode is selected)
- Observation Mode
- Calibration Mode (in Automatic calibration mode a countdown timer will appear instead of the calibration mode icon 3 seconds before automatic calibration begins)

- Microphone
- Wi-Fi Connection
- Auto shutdown function (for example, 1 min)
- Time
- Power Indication:
 - charge level if the device is powered by a battery
 - charge level if the device is charging and powered by a battery
 - no battery, the device is connected to an external power supply

⚡ VIDEO RECORDING AND PHOTOGRAPHY

The KRYPTON XG50 thermal imagers are equipped with the option to record video and still images (photography) of the observed image by saving them on the built-in memory card. It is recommended to set the date and time (see the corresponding menu items) before using the photo and video functions.

The built-in recorder operates in two modes:

VIDEO MODE. VIDEO RECORDING

- The VIDEO mode is activated when you turn on the device.
- The icon and the remaining recording time in HH:MM (Hours:Minutes) format are displayed in the upper left corner, for example, 5:12.
- Press the RIGHT/REC (6) button briefly to start video recording.
- When the video recording starts, the icon will disappear and the REC icon and timer in MM:SS (Minutes:Seconds) format will appear ●REC | 00:25.
- Press the RIGHT/REC (6) button briefly to pause or resume video recording.
- Press and hold the RIGHT/REC (6) button to stop video recording.
- Video files are saved to the built-in memory card after the video recording has been stopped.
- Press and hold the RIGHT/REC (6) button to switch between the video and photo modes.

PHOTO MODE. PHOTOGRAPHY

- Switch to PHOTO mode by pressing and holding the RIGHT/REC (6) button.
- Press the RIGHT/REC (6) button briefly to take a photo. The image freezes for 0.5 sec while the photo is saved to the internal memory.





Notes. You can enter and navigate the menu during video recording. The recorded videos and photos are saved to the built-in memory card of the device in the formats img_xxx.jpg (photos) and video_xxx. mp4 (video) where xxx is a 3 digit counter. The counter for multimedia files cannot be reset.



Attention! The maximum duration of a recorded video file is five minutes. After this time expires, the video is recorded to a new file. The number of recorded files is limited by the capacity of the internal memory of the device. Regularly check the free capacity of the internal memory and move recorded footage to other storage media to free up space on the internal memory card.

⚡ WI-FI FUNCTION

The device has a function enabling wireless communication with external devices (smartphone or tablet) via Wi-Fi.

Turn on the wireless module in the main menu. Wi-Fi is displayed in the status bar as follows:

Connection Status	Indication on the status bar
Wi-Fi is switched off	
Wi-Fi connection is in progress	
Wi-Fi is switched on, no connection with device	
Wi-Fi is switched on, device connected	

- The device is recognized by an external device as KRYPTON_XXXX where XXXX are the four last digits of the serial number.
- After entering the password (default: 12345678) on a mobile (see Wi-Fi Setup section of the Main Menu Functions section of this manual for more information on setting a password) and setting up a connection, the icon  in the thermal imaging monocular status bar changes to .

⚡ DISPLAY OFF FUNCTION

This function deactivates the image transmission to the display by minimizing its brightness. This helps prevent accidental disclosure. However, the device stays on.

When this function is in use, the device switches to the standby mode, which allows it to be switched on quickly if necessary.

- When the device is on, press and hold the ON (9) button for less than 3 seconds. The display goes blank and the message Display Off appears.
- Press the ON (9) button briefly to turn on the display.
- When you press and hold the ON (9) button, the display shows the message Display Off with a countdown. Holding the button down for the duration of the countdown will power the device off completely.



⚡ STREAM VISION

KRYPTON XG50 thermal imagers support Stream Vision technology, which enables the transmission of an image in real time from the thermal imager to your smartphone or tablet via Wi-Fi.

Detailed instructions on the operation of Stream Vision technology can be found in a separate booklet or on the www.pulsar-vision.com website.



Note: the Stream Vision application allows you to update the firmware features of your Pulsar Device.

How to update instructions are as below:

- Download free of charge Stream Vision App on [Google Play](https://play.google.com/store/apps/details?id=com.pulsar.vision) or [App Store](https://apps.apple.com/ru/app/stream-vision/id1444444444). Scan the QR codes to download Stream Vision free of charge:
- Connect your Pulsar device to your mobile device (smartphone or tablet).
- Launch Stream Vision and go to section My Devices.
- Select your Pulsar device and press Check Updates.

Important:

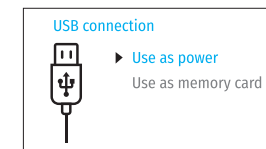
- if your Pulsar device is connected to phone, please turn on mobile data transfer (GPRS/3G/4G) to download update;

– if your Pulsar device is not connected to your phone but it's already in the My Devices section, you may use Wi-Fi to download update.


- Wait for the update to download and install. Pulsar device will reboot and will be ready to operate.

⚡ USB CONNECTION

- Connect one end of the USB cable (23) to the device micro-USB port (11) and the other end to the port on your computer.
- Switch the device on with a short press of the ON (9) button (the computer will not detect the device if it is switched off).
- The device is detected by the computer automatically and no drivers need to be installed.
- Two connection modes will appear on the display:
 - Use as power.
 - Use as memory card.
- Use the RIGHT (6) and LEFT (8) buttons to select the connection mode.
- Press the MENU (7) button briefly to confirm the selection.



USE AS POWER

- When this mode is selected, the computer is used as an external power supply. The icon  appears in the status bar. The device will continue operating and all the functions are available.
- A battery installed in the device will not be charged.
- When disconnecting the USB from the device connected in Use as Power mode, the device will continue to operate from the rechargeable IPS7 battery if it is present and provided it has enough charge.

USE AS MEMORY CARD

- When this mode is selected, the device is recognized by the computer as a flash card. This option is designed for working with files that are stored on the device's built-in memory. However, the device functions are not available in this mode and it will switch off automatically.
- If video recording was in progress when the connection was made, recording stops and the video is saved.
- When USB cable is disconnected from the device in Memory card mode, the device remains turned OFF. Press the ON (9) button to turn on the device.

⚡ TECHNICAL INSPECTION

It is recommended to carry out a technical inspection before each use of the device. Check the following:

- The device appearance (there should be no cracks on the body).
- The state of the objective and eyepiece lenses of the thermal imaging module (there should be no cracks, grease spots, dirt or other deposits).
- The state of the rechargeable battery (it should be charged) and the electric contacts (there should be no signs of salts or oxidation).
- The controls should be in working order.
- The thermal imaging module is properly and firmly fixed on the optical device.

⚡ MAINTENANCE

Maintenance should be carried out at least twice a year and include the following steps:

- Wipe the exterior metal and plastic surfaces with a cotton cloth to remove dust and dirt. Silicone grease may be used for this.
- Clean the electrical contacts of the rechargeable battery on the device using a non-greasy organic solvent.

- Check the eyepiece and the lens and if required remove dust and dirt from the optics (preferably using a non-contact method). Cleaning of the exterior surfaces of the optics should only be done with products specifically designed for this purpose.
- Always store the device in its carrying case in a dry, well-ventilated space. For prolonged storage, remove the batteries.

TROUBLESHOOTING

The table below lists problems that may occur when using the device. Carry out the recommended checks and troubleshooting steps in the order listed in the table. If there are defects not listed in the table or it is impossible to resolve the problem yourself, the device should be returned for repair.

Malfunction	Possible cause	Corrective action
The thermal imager does not turn on.	The battery is completely discharged	Charge the battery.
The device does not operate from an external power source.	The USB cable is damaged.	Replace the USB cable.
	The external power supply is discharged.	Charge the external power supply (if necessary).
Blurred image with vertical stripes or an uneven background.	Calibration is required.	Perform image calibration according to the Microbolometer Calibration section of the manual.
Poor quality image. There is noise or ghost images of previous scenes or objects.	Manual calibration has been performed with the lens cover open.	Check the calibration mode, close the lens cover and calibrate the device.
Image is too dark.	Brightness or contrast level is too low.	Adjust the brightness or contrast.
Color bars appear on the display or the image disappears.	The device was exposed to static charges during operation.	When the exposure to static charges is over, the device may either reboot automatically or require to be switched off and on again.
The image of the object being observed is missing.	You are looking through glass.	Remove the glass or change the viewing position to avoid it.
Poor image quality / reduced detection distance.	(snow, rain, fog, etc.).	
Smartphone or tablet cannot be connected to the device.	Device password has been changed.	Delete the network and connect again using the password saved in the device.
	The device is in an area with too many Wi-Fi networks that may be causing signal interference.	To ensure a stable Wi-Fi connection, relocate the device to an area with fewer or no Wi-Fi networks.
Missing or interrupted broadcasting via Wi-Fi.	The smartphone or tablet is beyond reliable Wi-Fi range. There are obstacles between the device and the signal receiver (e.g. concrete walls).	Move the devices in line-of-sight and within range of the Wi-Fi signal.
When the device is used in low temperature conditions the image quality is worse than in positive temperatures.	In positive temperature conditions, objects being observed (surroundings and background) heat up differently because of thermal conductivity, thereby generating a high temperature contrast. Consequently, the image quality produced by the thermal imager will be better. In low-temperature conditions, objects being observed (background) will cool down to roughly the same temperature, which leads to a greatly reduced temperature contrast and a degraded image quality. This is normal for all thermal imaging devices.	

Repair of the device is possible within 5 years.

⚡ SPÉCIFICATIONS TECHNIQUES

Modèle	KRYPTON XG50
SKU	77375
Microbolomètre	
Type	Non refroidi
Résolution, pixels	640x480
Taille du pixel, µm	12
Fréquence de rafraîchissement, Hz	50
Caractéristiques optiques:	
Grossissement, x	5
Grossissement recommandé pour l'optique de jour, x	1,5 - 6
Objectif	F50 / 1,2
Zoom numérique, x	-
Dégagement oculaire, mm	18
Pupille de sortie, mm	6
Champs de vision, degré/m par 100 m	8,7 / 15,4
Plage de mise au point d'oculaire, dioptrie	+5 / -5
Distance de détection d'un animal de 1,7 m, m	2300
Distance minimale de mise au point, m	5
Écran	
Type	AMOLED
Résolution, pixels	1746x1000
Caractéristiques de fonctionnement	
Tension d'alimentation, V	3 - 4,2
Type de Batterie	Li-Ion Battery Pack IPS7
Capacité	6400 mAh
Tension nominale de sortie	DC 3,7 V
Alimentation externe	5 V (USB)
Durée maximale de fonctionnement à partir d'un bloc de batteries (à t=22 °C), heure*	8
Plage de température de fonctionnement, °C	-25 ... +50
Dimensions hors tout, mm	260x93x76
Poids (sans batterie et monoculaire), kg	0,52
Enregistreur vidéo	
Résolution vidéo/ photo, pixels	960x720
Format vidéo/ photo	.mp4 / .jpg
Capacité mémoire interne	16 GB
Canal Wi-Fi	
Fréquence	2.4 GHz
Standard	802.11 b/g
Distance de réception en visibilité directe, m**	jusqu'à 15

* L'autonomie réelle de la batterie varie selon l'utilisation du Wi-Fi et de l'enregistreur vidéo intégré.

**La portée de réception peut varier en fonction de différents facteurs: la présence d'obstacles, d'autres réseaux Wi-Fi.

⚡ LOT DE LIVRAISON

- Module d'imagerie thermique
- Monoculaire Pulsar 5x30 B
- Housse de transport
- Batterie rechargeable IPS7
- Chargeur de batterie
- Périphérique réseau
- Câble USB
- Manuel d'utilisation rapide
- Lingettes nettoyantes pour l'optique
- Certificat de garantie

⚡ DESCRIPTION

Le module d'imagerie thermique KRYPTON XG50 est conçu pour une variété d'applications, y compris la surveillance de la chasse, les activités de sécurité, la prise de photos et enregistrement vidéo de jour et de nuit. Inclus dans le Krypton XG50, le module d'imagerie thermique à l'aide d'adaptateurs spéciaux peut être monté sur les objectifs de divers appareils optiques de jour, les transformant en ceux d'imagerie thermique.

⚡ CARACTÉRISTIQUES DISTINCTIVES

- Microbolomètre avec une résolution de 640x480 pixels
- La taille des pixels du microbolomètre est de 12 µm
- Écran AMOLED avec une résolution de 960x720
- Transformation simple d'un appareil optique de jour en appareil d'imagerie thermique
- Maintien des avantages de l'optique de jour pendant la nuit
- Trois modes de calibrage (manuel, semi-automatique, automatique)
- Quatre modes d'observation («Forêt», «Roches», «Identification», «Utilisation»)
- Utilisation confortable dans une large plage de grossissements d'optique de jour
- Distance de détection jusqu'à 2300 m
- Démarrage instantané
- Fonction d'arrêt de l'écran
- Enregistrement vidéo intégré
- Mise à jour logicielle à distance
- Complètement étanche (classe de protection IPX7)
- Large plage de températures de fonctionnement (-25°C ... +50°C)

ENREGISTREMENT VIDÉO/AUDIO

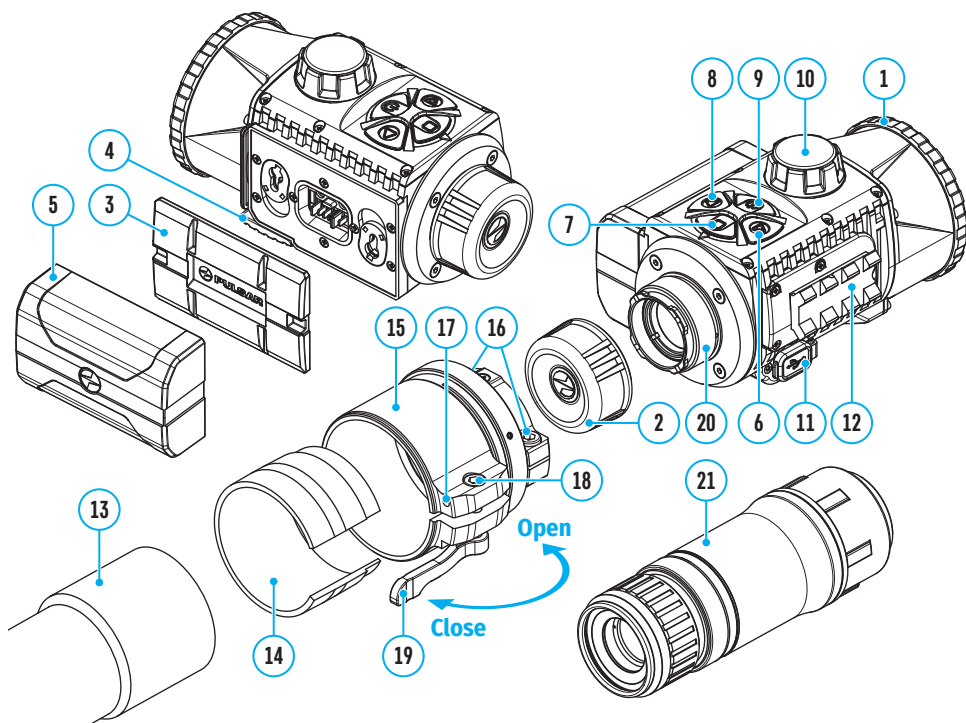
- Enregistreur vidéo intégré
- Intégration avec des appareils IOS et Android
- Wi-fi. Commande à distance et surveillance depuis un smartphone
- Youtube. Streaming vidéo en direct et enregistrement sur Internet via un smartphone et à l'aide de l'application gratuite Stream Vision

PUISSANCE

- Alimentations Li-Ion IPS 7 à changement rapide
- Possibilité de charger à l'aide d'une USB Power Bank

ÉLÉMENTS ET COMMANDES DE L'APPAREIL

1. Cache objectif
2. Cache d'oculaire
3. Couverture de compartiment batterie
4. Levier de verrouillage de la batterie
5. Batterie rechargeable
6. Bouton RIGHT/REC (Droite/Enregistrement)
7. Bouton MENU
8. Bouton LEFT/MODE (Gauche/Mode)
9. Bouton ON/CALIBRATION (Marche/Calibrage)
10. Bague de mise au point de l'objectif
11. Port USB
12. Rail Weaver
13. Objectif de l'appareil optique
14. Insert
15. Adaptateur
16. Vis
17. Vis de fixation
18. Vis
19. Levier de l'adaptateur
20. Point de fixation
21. Monoculaire Pulsar 5x30 B



FONCTIONS DES BOUTONS

Organe de commande	Condition/Mode	Une pression courte	Pressions courtes suivantes	Pression longue
ON (9) ⏻	L'appareil est éteint	Allumage de l'appareil	Calibrage de l'appareil	Allumage de l'appareil
	L'écran est éteint	Allumage de l'écran	Calibrage de l'appareil	Arrêt de l'appareil
	L'appareil est allumé, menu rapide, menu principal			Arrêt de l'écran / Arrêt de l'appareil
LEFT/MODE (8) ◀	L'appareil est allumé	Modes d'observation		Sélection de palette
	Menu rapide	Décrémentement du paramètre		
	Menu principal	Navigation en haut, dans le sens inverse des aiguilles d'une montre		
MENU (7) □	L'appareil est allumé	Accès au menu rapide		Accès au menu principal
	Menu rapide	Navigation en haut		Sortie du menu rapide
	Menu principal	Confirmation de valeur, accès aux éléments du menu		Sortie des éléments du menu, du menu principal
RIGHT/REC (6) ▶	L'appareil est allumé / mode vidéo	Lancement de l'enregistrement vidéo	Pause	Changement des modes vidéo / photo
	L'appareil est allumé / mode vidéo / enregistrement est activé	Pause	Reprise de l'enregistrement vidéo	Arrêt de l'enregistrement vidéo
	L'appareil est allumé, mode photo	Prise de photos		Changement des modes vidéo/photo
	Menu rapide	Incrémentement du paramètre		
	Menu principal	Navigation en haut, dans le sens des aiguilles d'une montre		

CHARGE DE LA BATTERIE

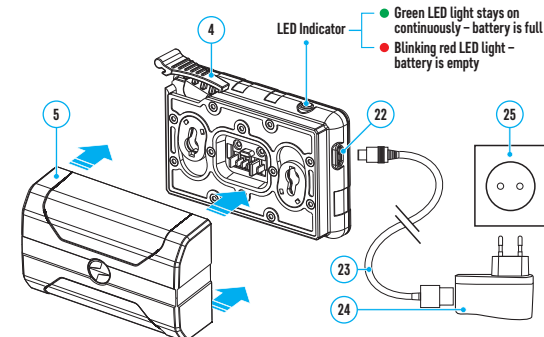
L'imageur thermique KRYPTON XG50 est livré avec une batterie rechargeable au lithium-ion Battery Pack IPS7, qui permet d'utiliser l'appareil jusqu'à 8 heures.

CHARGEZ COMPLÈTEMENT LA BATTERIE AVANT LA PREMIÈRE UTILISATION

- Soulevez le levier (4) du chargeur.
- Retirez le couvercle de protection de la batterie.
- Insérez la batterie (5) dans le chargeur jusqu'en butée, verrouillez la batterie en abaissant le levier (4).

Lors de l'installation, un voyant vert s'allume sur le chargeur et clignote brièvement à intervalle:

- une fois, si la charge de la batterie est entre 0 et 50%;
- deux fois, si la charge de la batterie est entre 51 et 75%;
- trois fois, si la charge de la batterie est entre 76 et 100%.



Si le voyant est constamment allumé en vert, la batterie est complètement chargée. Déconnectez le chargeur du réseau, déconnectez la batterie du chargeur.

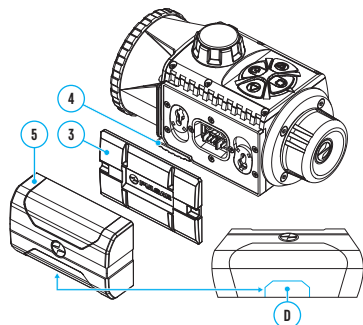
- Pour charger la batterie, connectez la fiche microUSB du câble USB (23) au connecteur (22) du chargeur.
- Connectez l'autre fiche du câble USB (23) au bloc prise (24).
- Branchez le bloc prise (24) dans une prise 100-240 V (25) – le processus de charge de la batterie commencera.

Attention! Si le voyant du chargeur est constamment allumé en rouge lorsque la batterie est installée, le niveau de charge est probablement inférieur à la valeur admissible (la batterie était déchargée pendant une longue période). Dans ce cas:

- connectez le chargeur avec la batterie insérée au secteur et laissez-le se charger plus longtemps (jusqu'à plusieurs heures). Retirez la batterie du chargeur, puis réinsérez-la dans le chargeur.
- si le voyant clignote en vert, la batterie est en bon état de fonctionnement;
- si le voyant continue à s'allumer en rouge - la batterie est défectueuse. N'utilisez pas cette batterie!

INSTALLATION DE LA BATTERIE

- Abaissez le levier (4).
- Enlevez le couvercle de protection du compartiment batterie (3).
- Retirez la batterie (5) du chargeur.
- Insérez la batterie (5) dans la fente prévue dans le corps de l'appareil de sorte que l'élément D (un avancement sur le corps de la batterie) soit dirigé vers le bas.
- Verrouillez la batterie (5) en relevant le levier (4).



PRÉCAUTIONS

- Pour charger les batteries IPS, utilisez toujours le chargeur IPS livré avec l'appareil (ou acheté séparément). L'utilisation d'un autre chargeur peut causer des dommages irréparables à la batterie ou au chargeur, ou peut provoquer une inflammation de la batterie.
- Ne chargez pas la batterie immédiatement après l'avoir retirée du froid au chaud. Attendez au min. 30 minutes jusqu'à ce que la batterie atteigne la température ambiante.
- Pendant le chargement ne laissez pas la batterie sans surveillance.
- N'utilisez pas le chargeur si sa conception a été modifiée ou endommagée.
- Ne laissez pas la batterie dans un chargeur connecté au réseau une fois la charge terminée.
- N'exposez pas la batterie à la chaleur ou au feu.
- N'utilisez pas la batterie comme source d'alimentation pour les appareils qui ne prennent pas en charge les batteries IPS 7.
- Ne démontez pas ou ne déformez pas la batterie.
- Ne soumettez pas la batterie à des chocs et des chutes.
- La batterie n'est pas destinée à être immergée dans l'eau.
- Gardez la batterie hors de la portée des enfants.

Attention! Veuillez ne pas utiliser la batterie IPS 14 avec le KRYPTON XG50 en raison du poids élevé de la batterie.

RECOMMANDATIONS D'UTILISATION

- Lors d'un stockage à long terme, la batterie doit être partiellement chargée - de 50 à 80%.
- Chargez la batterie à la température ambiante 0 °C...+35 °C. Sinon, la durée de vie de la batterie diminuera considérablement.
- Lorsque vous utilisez la batterie à des températures au-dessous de zéro sa capacité diminue ce qui est normal et ne constitue pas un défaut.
- N'utilisez pas la batterie à des températures supérieures à celles indiquées dans le tableau -25 °C... +50 °C - cela pourrait réduire la durée de vie de la batterie.
- La batterie est équipée d'un système de protection contre les courts-circuits. Cependant il faut éviter des situations qui peuvent provoquer un court-circuit.

⚡ ALIMENTATION EXTERNE

L'alimentation externe se réalise d'une source d'alimentation externe du type Power Bank (5V).

- Connectez la source d'alimentation externe au connecteur USB (11) de l'appareil.
- L'appareil passera en mode d'alimentation externe, tandis que la batterie IPS7 sera rechargée progressivement.
- Une icône de batterie avec un pourcentage de charge s'affichera sur l'écran.
- Si l'appareil est alimenté par une source d'alimentation externe, mais la batterie IPS 7 n'est pas connectée, une icône s'affiche.
- Lorsque la source d'alimentation externe est déconnectée, le basculement sur la source d'alimentation interne se produit sans désactivation de l'appareil.

Attention! La charge des batteries IPS 7 à l'aide du Power Bank à des températures inférieures à 0 °C peut réduire la durée de vie des batteries. Lors de l'utilisation d'une alimentation externe, la Power Bank doit être connectée à l'appareil activé, qui a fonctionné pendant quelques minutes.

⚡ UTILISATION

ATTENTION! Il est interdit de viser l'objectif de l'appareil aux sources d'énergie intenses telles que les appareils à laser ou le soleil. Cela peut endommager les composants électroniques de l'appareil. Les dommages causés par le non-respect des règles d'exploitation ne sont pas couverts par la garantie.

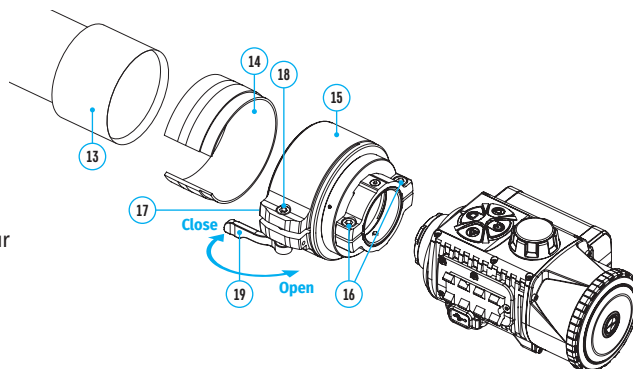
- Retirez le capuchon de l'oculaire (2).
- Sélectionnez l'adaptateur (15) (à acheter séparément) avec le diamètre requis d'insert (14) en fonction du diamètre extérieur de l'objectif de votre appareil optique (13) (voir tableau). La désignation 42 mm / 50 mm / 56 mm dans le nom de l'adaptateur désigne le diamètre de l'objectif de l'appareil optique.

Tableau de sélection d'inserts d'appareils optiques

Modèle de l'adaptateur	Correspondance entre le diamètre intérieur de l'insert et le diamètre extérieur du corps de l'objectif de l'appareil optique de jour.	
	Diamètre intérieur d'insert, mm	Le diamètre extérieur de l'objectif de l'appareil optique de jour, mm
Adaptateur PSP 42 mm	45.5	45.5
	46	46
	46.5	46.5
	47	46.7-47.6
	48	47.7- 48.6
	49	48.7-49.6
	50	49.7-50.6
	Adaptateur PSP 50 mm	51.6
53.4		53.4
55		54.7-55.6
56		55.7-56.6
57		56.7-57.6
58		57.7-58.6
59		58.7-59.6

Modèle de l'adaptateur	Correspondance entre le diamètre intérieur de l'insert et le diamètre extérieur du corps de l'objectif de l'appareil optique de jour.	
	Diamètre intérieur d'insert, mm	Le diamètre extérieur de l'objectif de l'appareil optique de jour, mm
Adaptateur PSP 56 mm	60	59.7-60.6
	61	60.7-61.6
	62	61.7-62.6
	63	62.7-63.6
	64	63.7-64.6
	65	64.7-65.6

- Vissez l'adaptateur (15) sur le support (20) du module d'imagerie thermique. La position recommandée du levier (19) est à droite (voir illustration).
- Serrez les vis (16) l'une après l'autre à plusieurs approches jusqu'à ce que la rotule de l'adaptateur (15) soit bien serrée.
- Montez l'insert (14) dans l'adaptateur (15) jusqu'en butée.
- Il est recommandé de dégraisser le corps de l'objectif de l'appareil optique (13) avant de monter l'adaptateur (15) sur l'appareil optique.
- Montez l'adaptateur avec l'insert sur l'objectif de l'appareil optique jusqu'en butée (13).
- Déplacez le levier (19) depuis la position «ouverte» (OPEN) jusqu'à la position «fermée» (CLOSE).
- Vérifiez si l'adaptateur se place bien contre l'objectif.
- Si l'adaptateur avec un module d'imagerie thermique se déplace librement par rapport à l'objectif de l'appareil optique (13), procédez comme suit:
 - Dévissez la vis de fixation (17) avec une clef Allen (S=2 mm).
 - Serrez la vis (18) avec une clef Allen (S=4 mm). La force de serrage doit assurer le bon fonctionnement du levier (19), cependant l'adaptateur avec un module d'imagerie thermique ne doit pas bouger par rapport au corps de l'appareil optique (13). Si nécessaire, serrez ou dévissez la vis (18) jusqu'à ce que le fonctionnement optimal du levier (19) soit atteint.
 - Serrez la vis de fixation (17) jusqu'en butée.
- Allumez le module d'imagerie thermique en pressant brièvement le bouton ON (9).
- En inclinant le module d'imagerie thermique, alignez le centre de l'image sur l'écran avec le centre de l'image du dispositif optique.
- En tournant le module d'imagerie thermique dans le sens des aiguilles d'une montre ou dans le sens inverse des aiguilles d'une montre, alignez les bords supérieur et inférieur de l'écran parallèlement à l'horizontale de l'appareil optique.
- Une fois la position optimale du module d'imagerie thermique atteinte, serrez les deux vis (16) à plusieurs approches jusqu'en butée. La force de serrage doit être de 7 N·m au maximum (peut être vérifiée avec un tournevis dynamométrique)

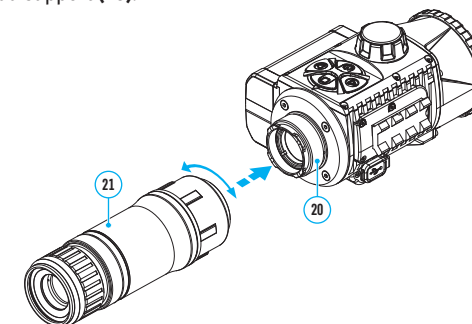


INSTALLATION D'UN MONOCULAIRE SUR UN MODULE D'IMAGERIE THERMIQUE

Le monocular Pulsar 5x30 B (21) vous permet de transformer un module d'imagerie thermique en un dispositif d'imagerie thermique d'observation avec un grossissement de 5 fois.

- Alignez les encoches du monocular avec les fentes du support (20).
- Tournez le monocular dans le sens des aiguilles d'une montre pour le fixer sur le module d'imagerie thermique.
- Pour retirer le monocular, tournez-le dans le sens inverse des aiguilles d'une montre et déconnectez-le du module d'imagerie thermique.

Remarque: le monocular peut être installé sur un module d'imagerie thermique avec un adaptateur déjà installé.



ALLUMAGE ET RÉGLAGE DE L'IMAGE

- Enlevez le bouchon de l'objectif (1), en le faisant tourner dans le sens inverse des aiguilles d'une montre.
- Allumez l'imageur thermique en pressant le bouton ON (9).
- Réglez la résolution des icônes sur l'écran en faisant tourner la bague de réglage dioptrique sur l'oculaire de votre viseur optique. Ultérieurement, il n'est pas nécessaire de tourner la bague de réglage dioptrique de l'oculaire quelles que soit la distance avec d'autres conditions.
- Faites tourner la bague de mise au point de l'objectif (10) pour mettre au point l'objet observé.
- Entrez dans le menu principal en pressant longuement le bouton MENU (7) et sélectionnez le mode de calibrage souhaité - manuel (M), semi-automatique (SA) ou automatique (A).
- Calibrez l'image en pressant brièvement le bouton ON (9). Fermez le capuchon de l'objectif avant de calibrer manuellement.
- Sélectionnez le mode d'observation souhaité («Forêt», «Roches», «Identification», «Utilisation») en pressant brièvement le bouton MODE (8) ou dans le menu principal. Mode utilisateur vous permet de configurer et d'enregistrer des paramètres de luminosité et de contraste personnalisés dans le menu rapide de l'appareil.
- Pressez longuement le bouton MODE (8) pour sélectionner l'une des deux palettes de couleurs.
- Activez le menu rapide en pressant brièvement le bouton MENU (7) pour régler la luminosité et le contraste de l'écran (pour plus de détails, voir la section «Fonctions du menu rapide»).
- Une fois l'exploitation terminée, éteignez l'appareil en pressant longuement le bouton ON (9).

⚡ CALIBRAGE DU MICROBOLOMÈTRE

Le calibrage permet de rééquilibrer la température du microbolomètre et d'éliminer les imperfections de l'image (telles que les bandes verticales, les images fantômes, etc.).

Pendant le calibrage, l'image sur l'écran se fige brièvement pendant 1 seconde maximum.

Il existe trois modes de calibrage: manuel (M), semi-automatique (SA) et automatique (A).

Sélectionnez le mode souhaité dans la section du menu «Mode calibrage» ⇄.

Mode M (manuel).

- Fermez le bouchon d'objectif, pressez brièvement le bouton ON (9).
- Une fois le calibrage est terminé, ouvrez le bouchon.


Mode SA (semi-automatique).

- Le calibrage est activé en pressant brièvement le bouton ON (9).
- Il ne faut pas fermer le bouchon d'objectif (le microbolomètre est fermé par une lame interne).





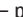
Mode A (automatique).

- L'appareil est calibré indépendamment, selon l'algorithme logiciel.
- Il ne faut pas fermer le bouchon d'objectif (le microbolomètre est fermé par une lame interne).
- Ce mode permet à l'utilisateur de calibrer l'appareil à l'aide du bouton ON (9).

⚡ IMAGE DETAIL BOOST

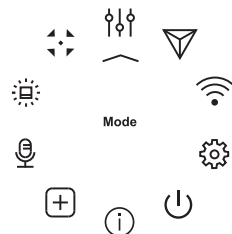
La fonction «Image Detail Boost»  augmente la netteté des contours des objets chauffés, ce qui permet de voir plus de détails. Le résultat de la fonction dépend du mode sélectionné et des conditions d'observation: plus le contraste des objets est élevé, plus l'effet est visible. Cette fonction est activée par défaut, mais peut être désactivée dans le menu principal.

⚡ FONCTIONS DU MENU PRINCIPAL


- Accédez au menu en pressant brièvement le bouton MENU (7).
- Pour se déplacer entre les fonctions décrites ci-dessous, pressez brièvement le bouton MENU (7).
- Luminosité**  - en pressant les boutons RIGHT (6) / LEFT (8) modifiez la valeur de luminosité de l'écran de 0 à 20.
- Contraste**  - en pressant les boutons RIGHT (6) / LEFT (8) modifiez la valeur de contraste de l'image de 0 à 20.
- Mode de base**    - permet de sélectionner l'un des trois modes comme un mode de base pour le mode d'utilisation.
- Pour quitter le menu, pressez le bouton MENU (7) et maintenez-le enfoncé ou attendez 10 secondes pour quitter automatiquement.

⚡ FONCTIONS DU MENU PRINCIPAL

- Entrez dans le menu principal en pressant longuement le bouton MENU (7).
- Pour parcourir les éléments du menu, pressez les boutons RIGHT (6)/ LEFT (8).
- Pour accéder à un élément du menu, pressez brièvement le bouton MENU (7).
- Pour quitter le menu, pressez le bouton MENU (7) et maintenez-le enfoncé ou attendez 10 secondes pour quitter automatiquement.



VUE GÉNÉRALE DU MENU


Mode 
L'appareil dispose de quatre modes d'observation: «Forêt» (mode d'observation des objets dans des conditions de contraste thermique bas), «Montagnes» (mode d'observation des objets dans des conditions de contraste thermique élevé), «Identification» (mode d'image hautement détaillée), «Utilisation» (paramètres personnalisés de la luminosité et du contraste).


Option 1:


- Pressez brièvement le bouton MODE (8) pour changer le mode d'observation.

Option 2:

- Pressez longuement le bouton MENU (7) pour accéder au menu.
- Utilisez les boutons RIGHT (6) / LEFT (8) pour sélectionner la section «Mode».
- Pressez brièvement le bouton MENU (7) pour accéder à la section du menu.
- Utilisez les boutons RIGHT (6) / LEFT (8) pour sélectionner l'un des modes décrits ci-dessous.
- Pressez brièvement le bouton MENU (7) pour confirmer votre choix.

 **Mode «Montagnes».** Optimal lors de l'observation des objets après une journée ensoleillée ou en milieu urbain.

 **Mode «Forêt».** Optimal lors de la recherche et de l'observation sur le terrain, sur fond de feuillage, de broussailles et d'herbe. Ce mode donne un haut niveau d'information à la fois sur l'objet observé et sur les détails du paysage.

 **Mode «Identification».** Optimal pour la reconnaissance des objets observés dans des conditions défavorables (brouillard, brume, pluie, neige). Ce mode permet de reconnaître plus clairement les traits caractéristiques de l'objet observé. Le grossissement des détails peut s'accompagner d'une petite granulation de l'image.


 **Mode «Utilisation».** Il permet de configurer et d'enregistrer des paramètres de luminosité et de contraste personnalisés, ainsi que l'un des trois modes comme un mode de base.

Image Detail Boost



Activation/ désactivation de la fonction «Image Detail Boost»

- Pressez le bouton MENU (7) et maintenez-le enfoncé pour accéder au menu principal.
- Utilisez les boutons RIGHT (6) / LEFT (8) pour sélectionner «Image Detail Boost».
- Pressez brièvement le bouton MENU (7) pour accéder à la section du menu.
- Pour activer/désactiver la fonction, pressez brièvement les boutons RIGHT (6) / LEFT (8).
- Pressez brièvement le bouton MENU (7) pour confirmer votre choix.

Configuration Wi-Fi



Cet élément permet de configurer l'appareil pour opérer dans le réseau Wi-Fi.

- Pressez le bouton MENU (7) et maintenez-le enfoncé pour accéder au menu principal.
- Utilisez les boutons RIGHT (6) / LEFT (8) pour sélectionner «Configuration Wi-Fi».
- Pressez brièvement le bouton MENU (7) pour accéder à la section du menu.

Activation de W-Fi



Activation/ désactivation du Wi-Fi

- Utilisez les boutons RIGHT (6) / LEFT (8) pour sélectionner «Activation de W-Fi».
- Pressez brièvement le bouton MENU (7) pour accéder à la section du menu.
- Pour activer/désactiver la fonction, pressez brièvement les boutons RIGHT (6) / LEFT (8).
- Pressez brièvement le bouton MENU (7) pour confirmer votre choix.

Configuration de mot de passe



Cet élément du sous-menu permet de définir un mot de passe afin d'accéder à l'appareil à partir de l'appareil externe. Le mot de passe est utilisé lors de la connexion d'un appareil externe (par exemple, un smartphone) à l'appareil.

- Utilisez les boutons RIGHT (6) / LEFT (8) pour sélectionner «Configuration de mot de passe».
- Pressez brièvement le bouton MENU (7) pour accéder à la section du menu.
- Un mot de passe s'affichera sur l'écran – un mot de passe par défaut est «12345678».
- Utilisez les boutons RIGHT (6) / LEFT (8) pour définir le mot de passe souhaité. Pressez le bouton MENU (7) pour passer d'une catégorie à une autre.
- Pressez le bouton MENU (7) et maintenez-le enfoncé pour enregistrer le mot de passe et quitter le sous-menu.

Configuration d'accès



Ce sous-élément permet de configurer le niveau d'accès requis pour l'appareil reçu par l'application Stream Vision.

- Niveau «Propriétaire». L'utilisateur de Stream Vision a un accès complet à toutes les fonctions de l'appareil.
- Niveau «Invité». L'utilisateur de Stream Vision n'a que la possibilité de regarder les vidéos de l'appareil en temps réel.
- Utilisez les boutons RIGHT (6) / LEFT (8) pour sélectionner «Configuration d'accès».
- Pressez brièvement le bouton MENU (7) pour accéder à la section du menu.
- Utilisez les boutons RIGHT (6) / LEFT (8) pour sélectionner «Propriétaire» ou «Invité».
- Pressez brièvement le bouton MENU (7) pour confirmer votre choix.

Configurations générales



Cette section du menu vous permet de changer la langue de l'interface, de régler la date, l'heure, les unités de mesure, de restaurer les paramètres d'usine et de formater également la carte mémoire.

- Pressez le bouton MENU (7) et maintenez-le enfoncé pour accéder au menu.
- Utilisez les boutons RIGHT (6) / LEFT (8) pour sélectionner «Configurations générales».
- Pressez brièvement le bouton MENU (7) pour accéder à la section du menu.
- Utilisez les boutons RIGHT (6) / LEFT (8) pour sélectionner l'élément de menu souhaité.

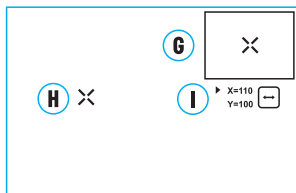
Langue 🌐	<p>Sélection de la langue</p> <ul style="list-style-type: none"> • Accédez au sous-menu «Langue» en pressant brièvement le bouton MENU (7). • Utilisez les boutons RIGHT (6) / LEFT (8) pour sélectionner l'une des langues d'interface disponibles: français, allemand, espagnol, russe. • Confirmez votre choix en pressant brièvement le bouton MENU (7).
Date 📅	<p>Paramètres de date</p> <ul style="list-style-type: none"> • Accédez au sous-menu «Date» en pressant brièvement le bouton MENU (7). La date est affichée au format jj/mm/aaaa. • Utilisez les boutons RIGHT (6) / LEFT (8) pour sélectionner l'année, le mois et la date souhaités. Pressez le bouton MENU (7) pour passer d'une catégorie à l'autre. • Pressez le bouton MENU (7) et maintenez-le enfoncé pour enregistrer la date sélectionnée et quitter le sous-menu.
Heure 🕒	<p>Paramètres d'heure</p> <ul style="list-style-type: none"> • Accédez au sous-menu «Heure» en pressant brièvement le bouton MENU (7). • Pressez les boutons RIGHT (6) / LEFT (8) pour sélectionner le format de l'heure - 24 (ou PM/AM). • Pressez le bouton MENU (7) pour passer aux paramètres d'heure. • Pressez les boutons RIGHT (6) / LEFT (8) pour sélectionner l'heure. • Pressez le bouton MENU (7) pour passer aux paramètres des minutes. • Pressez les boutons RIGHT (6) / LEFT (8) pour sélectionner les minutes. • Pressez le bouton MENU (7) et maintenez-le enfoncé pour enregistrer l'heure sélectionnée et quitter le sous-menu.
Configuration par défaut ↶	<p>Restauration des paramètres d'usine</p> <ul style="list-style-type: none"> • Accédez au sous-menu «Configuration par défaut» en pressant brièvement le bouton MENU (7). • Utilisez les boutons RIGHT (6) / LEFT (8) pour sélectionner «Oui» afin de restaurer les paramètres d'usine ou «Non» pour annuler l'action. • Confirmez votre sélection en pressant brièvement le bouton MENU (7). <p>L'état d'origine des paramètres suivants sera restauré:</p> <ul style="list-style-type: none"> - Mode de fonctionnement de l'enregistreur vidéo - vidéo. - Mode d'observation - «Forêt». - Mode calibrage - automatique. - Langue - Anglais. - Wi-Fi - désactivé (mot de passe par défaut). - La palette de couleurs - White Hot. <p>Attention: lorsque vous restaurez les paramètres d'usine, la date, l'heure, la carte de pixels personnalisée sont enregistrées.</p>
Formatage 🗑️	<p>Cet élément du menu permet de formater la carte Flash (carte mémoire) de l'appareil (tous les fichiers de la carte mémoire seront supprimés).</p> <ul style="list-style-type: none"> • Accédez au sous-menu «Formatage» en pressant brièvement le bouton MENU (7). • Utilisez les boutons RIGHT (6) / LEFT (8) pour sélectionner «Oui» pour formater la carte mémoire ou «Non» pour revenir au sous-menu. • Confirmez votre sélection en pressant brièvement bouton MENU (7). • Si vous avez sélectionné «Oui», le message «Voulez-vous formater la carte mémoire?» et les options «Oui» et «Non» apparaissent sur l'écran. Sélectionnez «Oui» pour formater la carte mémoire. • Si vous avez sélectionné «Non», le formatage sera rejeté et le retour au sous-menu se fera automatiquement.

Arrêt automatique ⏸	<p>Cet élément permet d'activer la fonction d'arrêt automatique de l'appareil en position de repos (inclinaison vers le haut ou vers le bas de plus de 70°, à droite ou à gauche - de plus de 30°).</p> <ul style="list-style-type: none"> • Pressez le bouton MENU (7) et maintenez-le enfoncé pour accéder au menu principal. • Utilisez les boutons RIGHT (6) / LEFT (8) pour sélectionner «Arrêt automatique». • Pressez brièvement le bouton MENU (7) pour accéder au sous-menu. • Utilisez les boutons RIGHT (6) / LEFT (8) pour sélectionner la période au cours de laquelle l'appareil désactivé s'éteindra automatiquement (1 min, 3 min, 5 min) ou l'option «Off» si vous souhaitez désactiver la fonction d'arrêt automatique de l'appareil. • Confirmez la sélection en pressant brièvement le bouton MENU (7). <p>Remarque: si la fonction d'arrêt automatique est activée, l'icône et l'heure d'arrêt sélectionnée au format «⏸ 1 min» sont affichées dans le bar d'état.</p>
Information d'appareil ①	<p>Cet élément permet à l'utilisateur d'apprendre les informations suivantes sur l'appareil:</p> <ul style="list-style-type: none"> - Numéro SKU de l'appareil - Version du logiciel de l'appareil - Nom complet du de l'appareil - Version de l'assemblage de l'appareil - Numéro de série de l'appareil - Informations d'utilisation <p>Pour l'affichage des informations:</p> <ul style="list-style-type: none"> • Pressez le bouton MENU (7) et maintenez-le enfoncé pour accéder au menu principal. • Utilisez les boutons RIGHT (6) / LEFT (8) pour sélectionner «Information d'appareil» ① . • Pressez brièvement le bouton MENU (7) pour confirmer votre choix.
Traitement de pixels morts 🗑️	<p>Lors du fonctionnement de l'appareil, les pixels défectueux (appelés «morts»), c'est-à-dire, points lumineux ou sombres à luminosité constante visibles sur l'image, peuvent s'afficher sur le microbolomètre.</p> <ul style="list-style-type: none"> • Les imageurs thermiques KRYPTON XG50 offrent la possibilité de supprimer les pixels défectueux du microbolomètre ainsi que d'annuler la suppression à l'aide de la programmation. • Pressez le bouton MENU (7) et maintenez-le enfoncé pour accéder au menu principal. • Utilisez les boutons RIGHT (6) / LEFT (8) pour sélectionner l'élément du menu «Traitement de pixels morts» 🗑️ . • Pressez le bouton MENU (7) pour accéder à la section du menu.

Traitement de pixels morts



- Sélectionnez «Traitement de pixels morts» en pressant brièvement le bouton MENU (7).
- Un marqueur \times (H) apparaît sur le côté gauche de l'écran.
- Une «loupe» (G) apparaît sur le côté droit de l'écran - un rectangle avec une vue agrandie du marqueur pour une sélection précise des pixels - et les coordonnées (I) du marqueur sous la «loupe».
- En pressant brièvement les boutons RIGHT (6) / LEFT (8), alignez le pixel défectueux avec le centre du marqueur agrandi dans la «loupe» - le pixel doit disparaître. Pour changer la direction du mouvement du marqueur d'horizontale à verticale pressez brièvement le bouton MENU (7).
- Supprimez le pixel défectueux en pressant brièvement le bouton ON (9).
- En cas de suppression réussie un message court «OK» apparaîtra dans le cadre.
- Puis en déplaçant le marqueur sur l'écran vous pouvez supprimer le pixel défectueux suivant.
- Pour quitter la fonction «Traitement des pixels morts», pressez et maintenez le bouton MENU (7).



Remise aux données de source



- Restauration de tous les pixels défectueux précédemment désactivés par l'utilisateur à leur état d'origine:
- Utilisez les boutons RIGHT (6) / LEFT (8) pour sélectionner «Remise aux données de source».
 - Activez la fonction en pressant brièvement le bouton MENU (7).
 - Utilisez les boutons RIGHT (6) / LEFT (8) pour sélectionner «Oui» si vous souhaitez revenir à la carte de pixels d'usine ou «Non» si vous ne le souhaitez pas.
 - Confirmez votre sélection en pressant brièvement le bouton MENU (7).
 - Attention! 1-2 pixels sont autorisés sur l'écran sous la forme de points blancs, sombres ou colorés (bleu, rouge, vert). Il ne doivent pas être supprimés et ne sont pas défectueux.

Microphone



- Activation/désactivation du microphone.
- Cet élément permet d'activer (ou de désactiver) le microphone pour l'enregistrer le son pendant l'enregistrement vidéo.
- Pressez le bouton MENU (7) et maintenez-le enfoncé pour accéder au menu principal.
 - Utilisez les boutons RIGHT (6) / LEFT (8) pour sélectionner l'élément du menu «Microphone».
 - Pressez brièvement le bouton MENU (7) pour accéder à la section du menu.
 - Pour activer/désactiver le microphone, pressez brièvement les boutons RIGHT (6) / LEFT (8).
 - Pressez brièvement le bouton MENU (7) pour confirmer votre choix.

Luminosité graphique



- Réglage de la luminosité des icônes
- Pressez le bouton MENU (7) et maintenez-le enfoncé pour accéder au menu.
 - Utilisez les boutons RIGHT (6) / LEFT (8) pour sélectionner «Luminosité graphique».
 - Pressez brièvement le bouton MENU (7) pour accéder à la section du menu.
 - Utilisez les boutons RIGHT (6) / LEFT (8) pour sélectionner le niveau de luminosité des icônes de 0 à 10.
 - Pressez brièvement le bouton MENU (7) pour confirmer votre choix.

Calibration Mode



- Sélection du mode de calibrage du microbolomètre.
- Il existe trois modes de calibrage: manuel, semi-automatique et automatique.
- Pressez le bouton MENU (7) et maintenez-le enfoncé pour accéder au menu.
 - Utilisez les boutons RIGHT (6) / LEFT (8) pour sélectionner la section «Mode calibrage».
 - Pressez brièvement le bouton MENU (7) pour accéder à la section du menu.
 - Utilisez les boutons RIGHT (6) / LEFT (8) pour sélectionner l'un des modes de calibrage décrits ci-dessous.
 - Pressez brièvement le bouton MENU (7) pour confirmer votre choix.

Automatique. En mode automatique la détermination du besoin de calibrage est programmée, le processus de calibrage démarre automatiquement.

Semi-automatique. L'utilisateur détermine de manière indépendante si le calibrage est nécessaire (en fonction de l'état de l'image observée).

Manuel. Calibrage manuel. Fermez le bouchon d'objectif avant de commencer le calibrage.

BARRE D'ÉTAT



La barre d'état est située au bas de l'écran et affiche des informations sur l'état actuel de l'appareil, notamment:

- Mode de couleur (affichée uniquement lorsque la palette de couleurs «Black Hot» est installée).
- Mode d'observation
- Mode calibrage (en mode de calibrage automatique, lorsqu'il ne reste que 3 secondes jusqu'au calibrage automatique, un compte à rebours est affiché à la place de l'icône de calibrage).
- Microphone
- Connexion Wi-Fi
- Fonction «Arrêt automatique» (par exemple, 1 minute)
- Heure actuelle
- Indication de puissance:
 - ▢ - niveau de charge, si l'appareil est alimenté par une batterie
 - ⚡ - niveau de charge, si l'appareil est alimenté par une batterie et est chargée
 - - pas de batterie, l'appareil est connecté à une source d'alimentation externe.

ENREGISTREMENT VIDÉO ET PRISE DE PHOTOS DE L'IMAGE OBSERVÉE

Les imageurs thermiques KRYPTON XG50 ont la fonction d'enregistrement vidéo et photo de l'image observée sur la carte mémoire intégrée. Avant d'utiliser les fonctions d'enregistrement photo et vidéo, il est recommandé de régler la date et l'heure (voir les éléments correspondants dans le menu principal).

L'appareil d'enregistrement intégré fonctionne en deux modes:

MODE VIDÉO. ENREGISTREMENT VIDÉO DE L'IMAGE

- Lorsqu'il est allumé, l'appareil est en mode VIDÉO.
- L'icône et le temps d'enregistrement restant (au format hh : mm), par exemple 5:12, sont affichés dans le coin supérieur gauche.
- Pressez brièvement le bouton RIGHT/REC (6) pour démarrer l'enregistrement vidéo.
- Après le démarrage de l'enregistrement vidéo, l'icône disparaît, l'icône REC apparaît à sa place ainsi que le minuteur d'enregistrement vidéo au format MM:SS (minutes : secondes); ●REC | 00:25.

- Pour suspendre l'enregistrement vidéo et reprendre l'enregistrement, pressez brièvement le bouton RIGHT/REC (6).
- Pour arrêter l'enregistrement vidéo pressez le bouton RIGHT/REC (6) et maintenez-le enfoncé.
- Les fichiers vidéo sont enregistrés sur la carte mémoire intégrée une fois l'enregistrement vidéo désactivé.
- Pour changer les modes (VIDEO-> PHOTO-> VIDEO ...), pressez le bouton RIGHT/REC (6) et maintenez-le enfoncé.

MODE PHOTO. PRISE DE PHOTOS DE L'IMAGE

- Passez en mode PHOTO en pressant longuement le bouton RIGHT/REC (6).
- Pressez brièvement le bouton RIGHT/REC (6) pour prendre une photo. L'image se fige pendant 0,5 seconde - le fichier de l'image est enregistré sur la carte mémoire intégrée.





Notes: Il est possible d'accéder au menu et opérer dans le menu de l'appareil pendant l'enregistrement vidéo. Les vidéos et les photos sont enregistrées sur la carte mémoire intégrée de l'appareil sous le nom img_xxx.jpg (pour les photos); video_xxx.mp4 (pour les vidéos). xxx - compteur de fichiers commun à trois chiffres (pour les photos et vidéos); Le compteur utilisé dans la dénomination des fichiers multimédia N'est PAS réinitialisé.



Attention: La durée maximale d'un fichier vidéo enregistré est de cinq minutes. Après cela la vidéo est enregistrée dans un nouveau fichier. Le nombre de fichiers est limité par la capacité de mémoire interne; Surveillez régulièrement la capacité du mémoire disponible de la carte mémoire intégrée, transférez les données enregistrées sur un autre support, libérez de l'espace sur la carte mémoire.

FONCTION WI-FI

L'appareil a la fonction de communication sans fil avec des appareils externes (ordinateur, smartphone) via Wi-Fi.

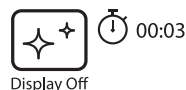
Allumez le module de communication sans fil dans le menu principal. Le fonctionnement du Wi-Fi est affiché dans la barre d'état comme suit:

Statut de connexion	Indication dans la barre d'état
Wi-Fi est désactivé	
Activation du Wi-Fi sur l'appareil	
Wi-Fi est activé, pas de connexion à l'appareil	
Wi-Fi est activé, la connexion à l'appareil est établie	

- L'appareil externe reconnaît l'imageur sous le nom «KRYPTON_XXXX», où XXXX correspond aux quatre derniers chiffres du numéro de série.
- Après avoir saisi le mot de passe sur l'appareil externe (pour plus de détails sur la définition du mot de passe, voir «Configuration Wi-Fi» de la section «Fonctions du menu principal») et l'établissement de la connexion, l'icône  dans la barre d'état de l'appareil devient .

FONCTION «ARRÊT DE L'ECRAN» (DISPLAY OFF)

Cette fonction désactive la transmission de l'image sur l'écran, minimisant la luminosité de son éclat. Cela empêche le démasquage accidentel. L'appareil continue de fonctionner.



Lors d'utilisation de cette fonction l'appareil passe en mode veille ce qui permet de l'activer rapidement en cas échéant.

- Lorsque l'appareil est allumé, pressez le bouton ON (9) et maintenez-le enfoncé 3 secondes au maximum. L'écran s'éteindra, le message «Arrêt de l'écran» apparaîtra.
- Pour allumer l'écran, pressez brièvement le bouton ON (9).

- Lorsque vous maintenez le bouton ON (9) enfoncé, le message «Arrêt de l'écran» avec un compte à rebours est affiché sur l'écran.

STREAM VISION

Les viseurs thermiques nocturnes KRYPTON XG50 sont compatibles avec la technologie Stream Vision qui permet de transmettre via Wi-Fi l'image de l'appareil à votre smartphone ou à votre tablette en temps réel.

Des instructions détaillées sur le fonctionnement de Stream Vision sont disponibles dans un livret séparé ou sur le site www.pulsar-vision.com



ANDROID APP ON
Google play



Available on the
App Store

Note: la conception de l'appareil donne la possibilité de mettre à jour le logiciel. Procédure de la mise à jour du logiciel:

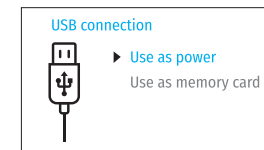
- Téléchargez l'application gratuite Stream Vision sur Google Play ou App Store. Pour télécharger l'application, scannez les codes QR:
- Connectez votre appareil Pulsar à un appareil mobile (smartphone ou tablette).
- Lancez Stream Vision et accédez à la section «Mes appareils».
- Sélectionnez votre appareil Pulsar et cliquez sur «Rechercher les mises à jour».

Important:

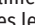
- si votre appareil Pulsar est connecté au téléphone, veuillez activer la transmission des données mobiles (GPRS / 3G / 4G) pour télécharger la mise à jour;
- si votre appareil Pulsar n'est pas connecté à votre téléphone, mais il se trouve déjà dans la section «Mes appareils», vous pouvez utiliser le Wi-Fi pour télécharger la mise à jour.
- Attendez que la mise à jour soit téléchargée et installée. L'appareil Pulsar redémarrera et sera prêt à fonctionner.

CONNEXION USB

- Connectez la fiche du câble USB (23) au connecteur USB Type-C (11) de l'appareil, l'autre - au port de votre ordinateur.
- Allumez l'appareil en pressant le bouton ON (9) (l'ordinateur ne peut pas détecter l'appareil éteint).
- L'appareil sera automatiquement déterminé par l'ordinateur, l'installation des pilotes n'est pas requise.
- L'écran affichera deux options de connexion:
 - Utiliser comme puissance.
 - Utiliser comme carte mémoire.
- Utilisez les boutons RIGHT (6) / LEFT (8) pour sélectionner une option de connexion.
- Pressez brièvement le bouton MENU (7) pour confirmer votre choix.



UTILISER COMME PUISSANCE

- En choisissant cette option, l'appareil utilise l'ordinateur en tant qu'une source d'alimentation externe. Une icône  apparaîtra dans la barre d'état. L'appareil continue à fonctionner, toutes les fonctions sont disponibles.
- La charge de la batterie installée dans l'appareil n'est pas effectuée.
- Lorsque l'USB est déconnecté de l'appareil connecté en mode «Puissance», l'appareil continue de fonctionner à partir de la batterie lorsqu'elle est présente et suffisamment chargée.

UTILISER COMME CARTE MÉMOIRE

- En choisissant cette option, l'appareil est reconnu par l'ordinateur comme une carte flash. Cette option est conçue pour travailler avec les fichiers stockés dans la mémoire de l'appareil. Les fonctions de l'appareil ne sont pas disponibles, l'appareil s'éteint.
- Lors de l'enregistrement du vidéo au moment de la connexion, l'enregistrement est arrêté et sauvegardé.
- Lorsque l'USB est déconnecté de l'appareil qui est en mode «Carte mémoire» le viseur reste activé. Appuyez sur le bouton ON (9) pour allumer l'appareil pour poursuivre le travail.

⚡ CONTRÔLE TECHNIQUE

Le contrôle technique est recommandé avant chaque utilisation de l'appareil. Vérifiez:

- Vue extérieure de l'appareil (les fissures sur le boîtier ne sont pas autorisées).
- L'état des lentilles de l'objectif et de l'oculaire du module d'imagerie thermique (les fissures, les taches de graisse, la saleté et autres dépôts ne sont pas autorisés).
- L'état de la batterie (doit être chargée) et des contacts électriques (le sel et l'oxydation ne sont pas autorisés).
- Fonctionnement des organes de commande.
- La justesse et la fiabilité du montage du module d'imagerie thermique sur l'appareil optique.

⚡ ENTRETIEN TECHNIQUE

L'entretien technique est effectué au moins deux fois par an et comprend les points suivants:

- Utilisez un chiffon en coton pour nettoyer les surfaces extérieures des pièces en métal et en plastique de la poussière et de la saleté. L'utilisation de graisse de silicone est autorisée.
- Nettoyez les contacts électriques de la batterie dans l'appareil avec un solvant organique non gras.
- Inspectez les lentilles de l'oculaire et de l'objectif. Si nécessaire retirez la poussière et le sable des lentilles (par une méthode sans contact de préférence). Nettoyez les surfaces extérieures des optiques à l'aide de moyens spécialement conçus à cet effet.
- Gardez l'appareil toujours dans une boîte, dans un endroit sec et bien aéré. Veillez à retirer la batterie pour un stockage à long terme.

⚡ DIAGNOSTIC D'ERREURS

Le tableau fournit une liste des problèmes qui peuvent survenir lors d'exploitation de l'appareil. Effectuez l'inspection et la correction recommandées dans l'ordre indiqué dans le tableau. Si un défaut ne figure pas dans le tableau ou si vous ne pouvez pas réparer le défaut vous-même, renvoyez l'appareil pour réparation.

Défaut	Cause possible	Réparation
L'imageur thermique ne s'allume pas.	La batterie est complètement déchargée.	Chargez la batterie.
Ne fonctionne pas à partir d'une source d'alimentation externe.	Le câble USB est endommagé. La source d'alimentation externe est déchargée.	Remplacez le câble USB. Chargez la source d'alimentation externe (si nécessaire).
L'image est floue, avec des rayures verticales et un fond irrégulier.	Calibrage est requis.	Calibrez l'image selon les instructions de la section «Calibrage du microbolomètre».

L'image n'est pas de haute qualité.	Le calibrage manuel a été effectué sans fermer le bouchon d'objectif.	Vérifiez le mode de calibrage réglé, fermez le bouchon d'objectif et calibrez l'appareil.
Il y a des bruits et des images rémanentes de scènes ou d'objets précédents.	Un niveau faible de luminosité ou de contraste est défini.	Ajustez la luminosité ou le contraste.
L'image est trop sombre	L'appareil était soumis à la tension statique pendant l'exploitation.	Après une exposition à la tension statique l'appareil peut se redémarrer ou il faut le désactiver et rallumer.
Des rayures colorées sont apparues sur l'écran ou l'image a disparu.	L'observation se fait à travers un verre.	Retirez le verre ou changez la position d'observation.
Mauvaise qualité d'image / Distance de détection est réduite.	Ces problèmes peuvent survenir lors de l'observation dans des conditions météorologiques difficiles (neige, pluie, brouillard, etc.).	
Le smartphone ou la tablette ne se connecte pas à l'appareil.	Le mot de passe de l'appareil a été modifié. L'appareil est situé dans une zone avec un grand nombre de réseaux Wi-Fi qui peuvent interférer.	Supprimez le réseau et reconnectez-vous avec le mot de passe enregistré dans l'appareil. Pour garantir un fonctionnement stable du Wi-Fi, déplacez l'appareil dans une zone ayant moins de réseaux Wi-Fi ou dans une zone sans réseaux.
Transmission du signal via Wi-Fi manque ou s'interrompt.	L'appareil se trouve hors de la zone de réception du signal Wi-Fi fiable. Il y a des obstacles entre l'appareil et le récepteur du signal (par exemple, murs en béton).	Déplacez votre smartphone ou votre tablette dans la zone de vision directe du signal Wi-Fi.
La qualité d'image de l'environnement lors de l'utilisation de l'appareil dans des conditions de températures abaissées est pire que dans des conditions de températures positives.	Dans des conditions de températures positives, les objets d'observation (environnement, arrière-plan) sont chauffés différemment en raison de la conductivité thermique différente, ce qui permet d'obtenir un contraste thermique élevé et par conséquent la qualité d'image générée par l'imageur thermique sera meilleure. Dans des conditions de températures basses les objets d'observation (arrière-plan) sont généralement refroidis jusqu'à environ les mêmes températures ce qui réduit considérablement le contraste thermique et la qualité de l'image (détails) se détériore. C'est une caractéristique du fonctionnement des appareils d'imagerie thermique.	

La période de maintenance de l'appareil est de cinq ans.

⚡ TECHNISCHE DATEN

MODELL	Krypton XG50
Lagereinheit-Nr. (SKU)	77375
Mikrobolometer	
Typ	ungekühlt
Auflösung, Pixel	640x480
Pixelgröße, Mikrometer	12
Bildwiederholfrequenz, Hz	50
Optische Kenndaten	
Vergrößerung des Monokulars, x	5
Empfohlene Vergrößerung der Tageslichtoptik, x	1,5-6
Objektiv	F50/1.2
Digitalzoom, x	-
Austrittspupillenabstand, mm	18
Austrittspupille, mm	6
Sehfeld (horizontal), Winkelgrad / m auf 100 m	8,7/15,4
Dioptrienausgleich, Dioptrien	+5/-5
Entdeckungsbereich (ein Tier 1,7 m hoch), m	2300
Naheinstellung, minimal, m	5
Display	
Typ	AMOLED
Auflösung, Pixel	1746x1000
Betriebsparameter	
Betriebsspannung, V	3-4,2
Batterietyp	Li-Ion Battery Pack IPS 7
Kapazität	6400 mAh
Netzspannung	DC 3,7 V
Externe Stromversorgung	5 V (USB)
Max. Betriebsdauer von einem Batteriesatz (bei t = 22 °C), Std.*	8
Betriebstemperatur, °C	-25 ... +50
Abmessungen, mm	260x93x76
Gewicht (ohne Batterie und Monokular), kg	0,47
Videorekorder	
Foto-/Videoauflösung, Pixel	960x720
Video-/ Fotoformat	.mp4 / .jpg
Eingebauter Speicher	16 GB
Wi-Fi Kanal	
Frequenz	2,4 GHz
Standard	802.11 b/g
Empfangsreichweite in Sichtlinie, m**	bis zu 15

* Die tatsächliche Betriebsdauer hängt von der Intensität der Verwendung von Wi-Fi und vom integrierten Videorekorder ab.

**Die Empfangsreichweite kann je nach verschiedenen Faktoren variieren: Vorhandensein von Hindernissen, anderen Wi-Fi-Netzwerken.

⚡ LIEFERUMFANG

- Wärmebildgerät
- Monokular Pulsar 5x30 B
- Aufbewahrungstasche
- IP57 Akkumulatorenatterie
- Ladegerät für Akkumulatorenatterie
- Netzadapter
- USB-Kabel
- Kurzanleitung
- Reinigungstuch für Optik
- Garantieschein

⚡ BESCHREIBUNG

Das Wärmebildgerät KRYPTON XG50 ist für verschiedene Anwendungsbereiche entwickelt, darunter Jagdbeobachtung, Überwachungstätigkeit, Foto- und Videoaufnahmen sowohl in der Nacht als auch am Tag. Das zum Lieferumfang vom KRYPTON XG50 gehörende Wärmebildmodul kann mit Hilfe spezieller Adapter an Objektiven verschiedener optischer Tageslichtgeräte montiert werden, wobei die letzteren in Wärmebildgeräte umgewandelt werden.

⚡ MERKMALE

- Hochauflösendes Wärmebild-Mikrobolometer
- Mikrobolometer-Pixelgröße von 12 Mikron
- AMOLED-Display mit hoher Auflösung
- Einfacher Umbau eines optischen Tageslichtgerätes in ein Wärmebildgerät
- Die Vorteile der Tageslichtoptik bleiben beim Nachteinsatz vorhanden
- Drei Kalibrierungsmodi (manuell, halbautomatisch und automatisch)
- Vier Beobachtungsmodi: Wald, Felsen, Identifizierung, Benutzermodus
- Komfortabler Einsatz in einem großen Vergrößerungsbereich der Tageslichtoptik
- Entdeckungsbereich bis zu 2300 m
- Sofortiger Start
- Funktion „Display Off“ (Anzeige aus)
- Integrierter Videorekorder
- Ferngesteuertes Firmware-Update
- Absolut Wasserdicht (Schutzklasse IPX7)
- Großer Betriebstemperaturbereich (-25 °C bis +50 °C)

VIDEO-/AUDIOAUFEICHNUNG

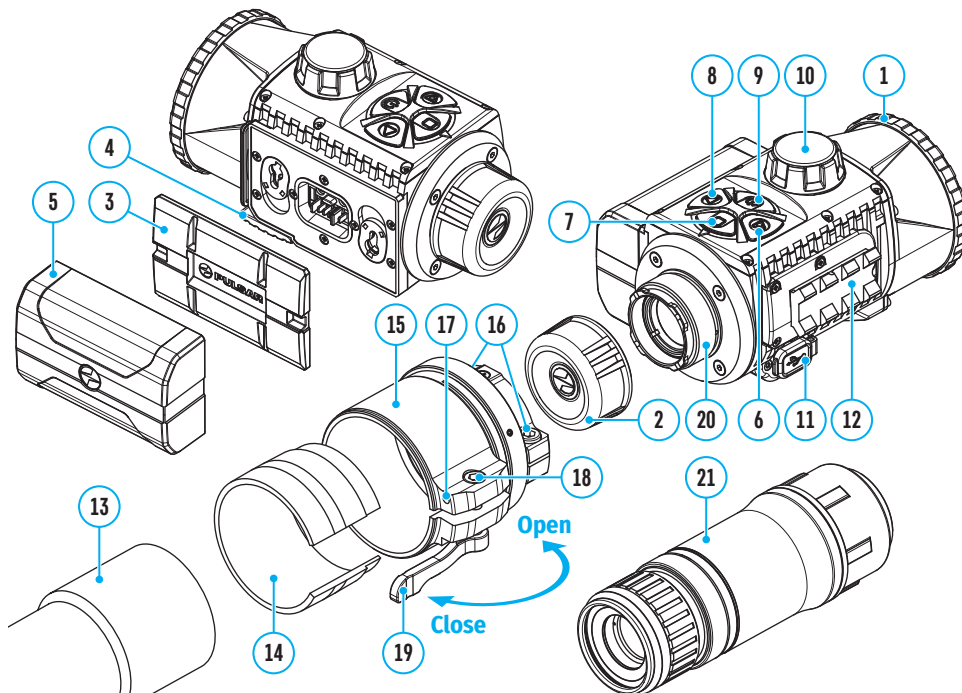
- Integrierter Videorecorder
- Integration mit iOS- und Android-Geräten
- Wi-Fi Fernbedienung und Überwachung mit dem Smartphone
- YouTube Live-Übertragung und direkte Aufzeichnung im Internet über ein Smartphone und die App „Stream Vision“.

AKKUPACK

- IPS 7 Li-Ion Schnellwechsel-Akkupack
- USB-Ladeoption

⚡ GERÄTEKOMPONENTEN UND BEDIENUNGSELEMENTE

- | | |
|----------------------------------|---------------------------------------|
| 1. Objektivschutzdeckel | 12. Schiene Weaver |
| 2. Okulardeckel | 13. Objektiv des optischen Gerätes |
| 3. Batteriefachdeckel | 14. Einsatzring |
| 4. Hebel für Batteriefixierung | 15. Adapter |
| 5. Akkumulatorenatterie | 16. Schrauben |
| 6. Taste RIGHT/REC | 17. Halteschraube |
| 7. Taste MENU | 18. Schraube |
| 8. Taste MODE | 19. Adapterhebel |
| 9. Taste ON/KALIBRIERUNG | 20. Halterung |
| 10. Fokussiergriff des Objektivs | 21. Monokular Pulsar 5x30 B Monocular |
| 11. USB-Anschluss | |



⚡ FUNKTIONEN DER TASTEN

Bedienungs-element	Bedingung / Betriebsmodus	Ein kurzes Drücken	Zweites kurzes Drücken	Langes Drücken
ON (An) (9) ⏻	Gerät ausgeschaltet	Gerät einschalten	Gerätekalibrierung	Gerät einschalten
	Display ausgeschaltet	Display einschalten	Gerätekalibrierung	Gerät ausschalten
	Gerät eingeschaltet, Schnellstartmenü, Hauptmenü			Display ausschalten / Gerät ausschalten
MODE/LEFT (Modus/Links) (8) ◀	Gerät eingeschaltet	Beobachtungsmodi		Auswahl der Farbpalette
	Schnellstartmenü Hauptmenü	Wert verringern Navigation nach unten, gegen den Uhrzeigersinn		
MENU (MENÜ) (7) □	Gerät eingeschaltet	Schnellstartmenü aufrufen		Hauptmenü aufrufen
	Schnellstartmenü	Navigation nach oben		Schnellstartmenü verlassen
	Hauptmenü	Wert bestätigen, Menüpunkte aufrufen		Menüpunkte verlassen, Hauptmenü verlassen
REC/RIGHT (Aufnahme/ Rechts) (6) ▶	Gerät eingeschaltet, Videomodus	Videoaufnahme starten	Pause	Zwischen Video- und Fotomodus umschalten
	Gerät eingeschaltet, Videomodus, Aufnahme gestartet	Pause	Videoaufnahme fortsetzen	Videoaufnahme stoppen
	Gerät eingeschaltet, Fotomodus	Foto aufnehmen		Zwischen Video- und Fotomodus umschalten
	Schnellstartmenü Hauptmenü	Wert erhöhen Navigation nach oben, im Uhrzeigersinn		

⚡ BETRIEB DER AKKUMULATORENBATTERIE

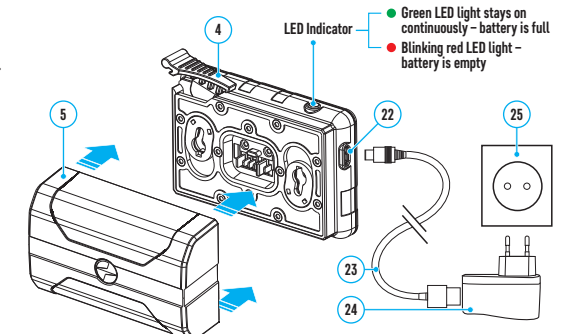
Das Wärmebildgerät KRYPTON XG50 wird mit einem wiederaufladbaren Lithium-Ionen Akku Batterie Pack IPS7 geliefert, mit dem Sie das Gerät bis zu 8 Stunden lang verwenden können. Vor dem ersten Gebrauch soll der Akku aufgeladen werden.

BATTERIELADUNG

- Heben Sie den Hebel (4) am Ladegerät an.
- Nehmen Sie den Schutzdeckel vom Akku ab.
- Setzen Sie den Akku (5) bis zum Anschlag ins Ladegerät ein, verriegeln Sie den Akku, indem Sie den Hebel (4) nach unten klappen.

Beim Installieren leuchtet die Anzeige am Ladegerät grün und blinkt kurz in einem bestimmten Intervall:

- einmal, wenn die Akkuladung von 0% bis 50% beträgt;
- zweimal, wenn die Batterieladung von 51 bis 75% beträgt;
- dreimal, wenn die Batterieladung von 76 bis 100% beträgt.



Wenn die Anzeige konstant grün leuchtet, ist der Akku vollständig geladen. Trennen Sie das Ladegerät vom Stromnetz und den Akku vom Ladegerät.

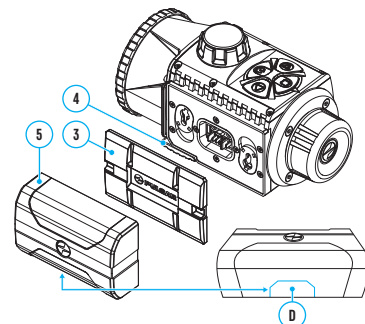
- Schließen Sie zum Laden des Akkus den microUSB-Stecker des USB-Kabels (23) an den Anschluss (22) des Ladegeräts an.
- Schließen Sie den zweiten Stecker des USB-Kabels (23) an den Netzadapter (24) an.
- Stecken Sie den Netzadapter (24) in eine 100-240-V-Steckdose (25) - die Akkuladung beginnt.

Achtung! Wenn die Akkuladeanzeige nach dem Einsetzen des Akkus konstant rot leuchtet, liegt der Akkuladezustand wahrscheinlich unter dem zulässigen Wert (der Akku war lange Zeit entladen). In diesem Fall:

- Schließen Sie das Ladegerät mit dem eingesetzten Akku an das Stromnetz an und lassen Sie es für eine längere Zeit (bis zu mehreren Stunden) aufladen.
- Nehmen Sie den Akku aus dem Ladegerät und setzen Sie ihn wieder in das Ladegerät ein.
- Wenn die Anzeige grün blinkt, ist der Akku in Ordnung.
- Wenn die Anzeige weiterhin rot leuchtet, ist der Akku defekt. Verwenden Sie diesen Akku nicht!

INSTALLIEREN DER AKKUMULATORENBATTERIE

- Klappen Sie den Hebel (4) nach unten.
- Nehmen Sie den Schutzdeckel vom Batteriefach (3) ab.
- Nehmen Sie den Akku (5) aus dem Ladegerät.
- Setzen Sie den Akku (5) in den dafür vorgesehenen Steckplatz im Gerätegehäuse so ein, dass das Element D (Vorsprung am Batteriegehäuse) unten liegt.
- Verriegeln Sie den Akku (5) durch Anheben des Hebels (4).



SICHERHEITSHINWEISE

- Verwenden Sie zum Laden von IPS-Akkus immer das mit dem Gerät gelieferte (oder separat erhältliche) IPS-Ladegerät. Die Verwendung eines ungeeigneten Ladegeräts kann irreparable Schäden am Akku verursachen oder zur Entzündung des Akkus führen.
- Laden Sie den Akku nicht gleich auf, wenn er von der Kälte in einen warmen Raum gebracht wurde. Warten Sie mindestens 30 Minuten, bis sich der Akku erwärmt hat.
- Lassen Sie den Akku während des Ladevorgangs nicht unbeaufsichtigt.
- Verwenden Sie das Ladegerät nicht, wenn es beschädigt oder sein Design geändert wurde.
- Lassen Sie den Akku nach Abschluss des Ladevorgangs nicht in einem an das Netzwerk angeschlossenen Ladegerät.
- Setzen Sie den Akku keiner Hitze und keinem offenen Feuer aus.
- Verwenden Sie den Akku nicht als Stromquelle für Geräte, die keine IPS 7-Akkus unterstützen.
- Zerlegen oder verformen Sie den Akku nicht.
- Setzen Sie den Akku keinen Stößen oder Stürzen aus.
- Tauchen Sie den Akku nicht ins Wasser.
- Der Akku ist von den Kindern fernzuhalten.

Achtung! Bitte verwenden Sie den IPS 14-Akku nicht mit dem KRYPTON XG50, da der Akku schwer ist.

EMPFEHLUNGEN FÜR DEN GEBRAUCH

- Bei längerer Lagerung soll der Akku teilweise aufgeladen sein - von 50 bis 80 %.
- Der Akku soll bei einer Umgebungstemperatur von 0 °C bis +35 °C geladen werden. Andernfalls verkürzt sich die Betriebsdauer des Akkus erheblich.
- Wenn der Akku bei Minustemperaturen verwendet wird, nimmt die Akkukapazität ab. Dies ist normal und kein Defekt.
- Verwenden Sie den Akku nicht bei Temperaturen außerhalb des Bereichs von -25 °C bis +50 °C - dies kann die Betriebsdauer des Akkus verkürzen.
- Der Akku ist mit einem Kurzschlusschutz ausgestattet. Vermeiden Sie jedoch Situationen, die zu einem Kurzschluss führen könnten.

⚡ EXTERNE STROMVERSORGUNG

Die externe Stromversorgung erfolgt über eine externe Stromquelle wie eine Power Bank (5 V).

- Schließen Sie die externe Stromquelle an den microUSB-Anschluss (11) des Gerätes an.
- Das Gerät schaltet auf externe Stromversorgung um, dabei wird der Akku IPS 7 schrittweise aufgeladen.
- Auf dem Display erscheint das Symbol des Akkus mit dem Ladezustand in Prozent.
- Wenn das Gerät von einer externen Stromquelle gespeist wird, der Akku IPS 7 jedoch nicht angeschlossen ist, wird das Symbol angezeigt.
- Wenn die externe Stromquelle getrennt wird, wird auf den IPS 7 Akku umgeschaltet ohne dass das Gerät abgeschaltet wird.

Achtung! Das Laden der IPS 7-Akkus von einer Power Bank bei Lufttemperaturen unter 0 °C kann die Betriebsdauer des Akkus verkürzen. Bei Verwendung einer externen Stromquelle muss die Power Bank an das eingeschaltete Gerät angeschlossen werden, das bereits einige Minuten lang funktioniert hat.

⚡ BETRIEB

ACHTUNG! Richten Sie das Objektiv des Gerätes niemals direkt auf intensive Energiequellen, solche wie Laser ausstrahlende Geräte oder die Sonne, weil es zur Beschädigung elektronischer Komponenten führen kann. Im Rahmen der Garantie wird für die durch falsche Anwendung verursachte Schäden nicht gehaftet.

- Installieren des Wärmebildmoduls an einem optischen Gerät.
- Nehmen Sie den Okulardeckel (2) ab.
- Wählen Sie einen Adapter (15) (separat erhältlich) mit einem Einsatzring (14) passenden Durchmessers je nach Außendurchmesser des Objektivs Ihres optischen Gerätes (13) (siehe Tabelle). Die Zeichen 42 mm / 50 mm / 56 mm im Adapternamen bedeuten den Objektivlinsendurchmesser des optischen Gerätes.

Tabelle der Kompatibilität der Einsatzringe

Adaptermodell	Übereinstimmung des Innendurchmessers des Einsatzrings und des Außendurchmessers des Objektivgehäuses der Tageslichtoptik	
	Innendurchmesser des Einsatzrings, mm	Außendurchmesser des Objektivs der Tageslichtoptik, mm
Adapter PSP 42 mm	45.5	45.5
	46	46
	46.5	46.5
	47	46.7-47.6
	48	47.7- 48.6
	49	48.7-49.6
Adapter PSP 50 mm	50	49.7-50.6
	51.6	51.6
	53.4	53.4
	55	54.7-55.6
	56	55.7-56.6
	57	56.7-57.6
	58	57.7-58.6
59	58.7-59.6	

Adaptermodell	Übereinstimmung des Innendurchmessers des Einsatzrings und des Außendurchmessers des Objektivgehäuses der Tageslichtoptik	
	Innendurchmesser des Einsatzrings, mm	Außendurchmesser des Objektivs der Tageslichtoptik, mm
Adapter PSP 56 mm	60	59.7-60.6
	61	60.7-61.6
	62	61.7-62.6
	63	62.7-63.6
	64	63.7-64.6
	65	64.7-65.6

- Schrauben Sie den Adapter (15) entlang des Gewindes der Halterung (20) auf das Wärmebildmodul. Die empfohlene Position des Hebels (19) ist rechts (siehe Abbildung).
- Ziehen Sie die Schrauben (16) abwechselungsweise in einigen Schritten an, bis das Kugelgelenk im Adapter (15) schwer geht.
- Setzen Sie den von Ihnen ausgewählten Einsatzring (14) in den Adapter (15) bis zum Anschlag ein.
- Vor der Installation des Adapters (15) am optischen Gerät wird empfohlen, das Objektivgehäuse des optischen Gerätes (13) zu entfetten.
- Installieren Sie den Adapter (15) zusammen mit dem Einsatzring (14) am Objektiv des optischen Gerätes bis zum Anschlag (13).
- Legen Sie den Hebel (19) aus der Ausgangsposition „auf“ (OPEN) in die Position „zu“ (CLOSE) um.
- Überprüfen Sie, ob der Adapter (15) fest am Objektiv (13) anliegt.
- Falls sich der Adapter mit dem Wärmebildmodul relativ zum Objektiv des optischen Gerätes (13) frei bewegt, gehen Sie wie folgt vor:
 - Lockern Sie die Halteschraube (17) mit einem Inbusschlüssel (S=2 mm).
 - Ziehen Sie die Schraube (18) mit einem Inbusschlüssel (S=4 mm). Die Klemmkraft soll den schweren Gang des Hebels (19) gewährleisten, während sich der Adapter mit dem Wärmebildmodul relativ zum Gehäuse des optischen Gerätes (13) nicht bewegen soll. Ziehen Sie gegebenenfalls die Schraube (18) an oder lösen Sie sie, bis ein optimaler Gang des Hebels (19) erreicht ist.
 - Ziehen Sie die Halteschraube (17) bis zum Anschlag fest.
- Schalten Sie das Wärmebildmodul durch kurzes Drücken der Taste ON (9) ein.
- Richten Sie durch das Kippen des Wärmebildmoduls die Bildmitte auf dem Display an der Bildmitte des optischen Gerätes aus.
- Drehen Sie das Wärmebildmodul im oder gegen den Uhrzeigersinn und richten Sie den oberen und unteren Rand des Displays parallel zur Horizontalen des optischen Gerätes aus.
- Wenn Sie die optimale Position des Wärmebildmoduls erreicht haben, ziehen Sie die beiden Schrauben (16) in einigen Schritten bis zum Anschlag fest. Die Klemmkraft soll nicht mehr als 7 Nm betragen (sie kann mit einem Drehmomentschrauber überprüft werden).

INSTALLIEREN DES MONOKULARS AM WÄRMEBILDMODUL

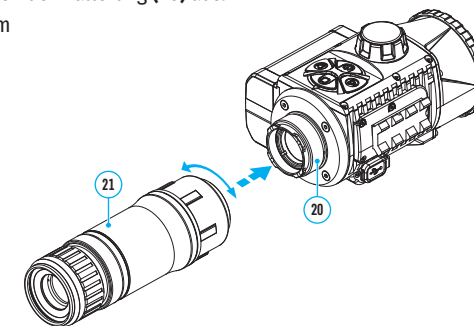
Mit dem Monokular Pulsar 5x30 B (21) können Sie ein Wärmebildmodul zu einer Wärmebildkamera mit 5-facher Vergrößerung transformieren.

- Richten Sie die Laschen am Monokular an den Schlitten der Halterung (20) aus.
- Drehen Sie das Monokular im Uhrzeigersinn, um es am Wärmebildmodul zu befestigen.
- Um das Monokular zu entfernen, drehen Sie es gegen den Uhrzeigersinn und trennen Sie es vom Wärmebildmodul.

Hinweis: Das Monokular kann mit einem bereits installierten Adapter an einem Wärmebildmodul installiert werden.

EINSCHALTEN UND BILDEINSTELLUNG

- Nehmen Sie den Objektivschutzdeckel (1) durch das Drehen gegen den Uhrzeigersinn ab.
- Schalten Sie das Wärmebildgerät ein, indem Sie die Taste ON (9) drücken.
- Drehen Sie den Dioptrieneinstellring Ihres optischen Gerätes zur Scharfstellung der Symbole auf dem Display. Unabhängig von der Entfernung oder sonstigen Bedingungen ist das Drehen des Dioptrieneinstellrings künftig nicht mehr nötig.
- Für die Fokussierung auf ein Beobachtungsobjekt drehen Sie den Fokussiergriff (10).
- Rufen Sie das Hauptmenü durch langes Drücken der Taste MENU (7) auf und wählen Sie den gewünschten Kalibrierungsmodus - den manuellen (M), den halbautomatischen (SA) oder den automatischen (A).
- Kalibrieren Sie das Bild durch kurzes Drücken der Taste ON (9). Vor der manuellen Kalibrierung schließen Sie den Objektivschutzdeckel.
- Wählen Sie den Beobachtungsmodus („Wald“, „Felsen“, „Identifizierung“, „Benutzermodus“) durch kurzes Drücken der Taste MODE (8) oder im Hauptmenü aus. Im Benutzermodus können Sie benutzerdefinierte Helligkeits- und Kontrasteinstellungen im Schnellstartmenü des Gerätes konfigurieren und speichern.
- Halten Sie die Taste MODE (8) gedrückt, um eine von zwei Farbpaletten auszuwählen.
- Aktivieren Sie das Schnellstartmenü durch kurzes Drücken der Taste MENU (7), um die Helligkeit und den Kontrast des Displays einzustellen (ausführliche Anweisungen finden Sie im Abschnitt „Funktionen des Schnellstartmenüs“ der Bedienungsanleitung).
- Schalten Sie das Gerät nach Gebrauch durch langes Drücken der Taste ON (9) aus.



⚡ KALIBRIEREN DES MIKROBOLMETERS

Das Kalibrieren ermöglicht den Wärmegrad des Mikrobolometers auszugleichen und Fehler der Abbildung (wie senkrechte Linien oder Schattenbilder u.ä.) zu beheben.

Das Gerät bietet drei Kalibrierungsmodi an: den manuellen (M), halbautomatischen (SA) und automatischen (A). Wählen Sie den passenden Kalibrierungsmodus im Kapitel „Kalibrierungsmodus“ ↕ .

Modus M (manuell)

- Schließen Sie den Objektivschutzdeckel, betätigen Sie kurz die Taste ON/OFF (9).
- Öffnen Sie den Objektivschutzdeckel.


Modus SA (halbautomatisch)

- Betätigen Sie kurz die Taste ON/OFF, um das Kalibrieren zu aktivieren.
- Sie brauchen den Objektivschutzdeckel nicht zu schließen (der Sensor wird mit der inneren Blende geschlossen).

Modus A (automatisch)

- Das Gerät wird selbstständig nach dem Programmalgorithmus kalibriert. Sie brauchen den Objektivschutzdeckel nicht zu schließen (der Sensor wird mit der inneren Blende geschlossen).
- In diesem Modus ist das Kalibrieren via Taste ON/OFF (9) zulässig (im halbautomatischen Modus).

⚡ IMAGE DETAIL BOOST


Die Funktion „Image Detail Boost“  erhöht die Konturenschärfe von erhitzten Objekten, dadurch wird die Detailgenauigkeit der Abbildung gesteigert. Das Ergebnis der Funktion hängt vom ausgewählten Modus und den Beobachtungsbedingungen ab: Je höher der Kontrast der Objekte, desto deutlicher ist der Effekt. Diese Option ist standardmäßig aktiviert, kann jedoch im Hauptmenü deaktiviert werden.

⚡ FUNKTIONEN DES SCHNELLSTARTMENÜS

- Rufen Sie das Schnellstartmenü durch kurzes Drücken der Taste MENU (7) auf.
- Um zwischen den unten beschriebenen Funktionen zu wechseln, drücken Sie kurz die Taste MENU (7).

Helligkeit  - drücken Sie die Tasten RIGHT (6)/ LEFT (8), um die Bildhelligkeit von 0 bis 20 zu ändern.

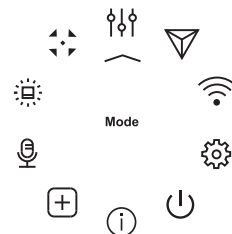
Kontrast  - drücken Sie die Tasten RIGHT (6)/ LEFT (8), um den Bildkontrast von 0 bis 20 zu ändern.

Basismodus  - hier können Sie einen der drei Modi als Basis für den Benutzermodus auswählen.


Um das Menü zu verlassen, halten Sie die Taste MENU (7) gedrückt oder warten Sie 10 Sekunden, um das Menü automatisch zu verlassen.

⚡ FUNKTIONEN DES HAUPTMENÜS

- Aktivieren Sie das Hauptmenü durch langes Drücken der Taste MENU (7).
- Verwenden Sie die Tasten RIGHT (6)/ LEFT (8), um durch die Hauptmenüoptionen zu navigieren.
- Um einen Unterpunkt im Hauptmenü aufzurufen, drücken Sie kurz die Taste MENU (7).
- Um einen Unterpunkt im Hauptmenü zu verlassen, halten Sie die Taste MENU (7) gedrückt.
- Das automatische Verlassen des Hauptmenüs erfolgt nach 10 Sekunden Inaktivität.



MENÜÜBERSICHT

Betriebsmodus  Das Gerät hat vier Beobachtungsmodi: „Wald“ (Modus zur Beobachtung von Objekten unter Bedingungen mit geringem Temperaturgegensatz), „Felsen“ (Modus zur Beobachtung von Objekten unter Bedingungen mit großem Temperaturgegensatz), „Identifizierung“ (Modus mit hohem Detaillierungsgrad), „Benutzermodus“ (individuelle Einstellung von Helligkeit und Kontrast).

Variante 1:

- Drücken Sie kurz die Taste MODE (8), um den Beobachtungsmodus umzuschalten.

Variante 2:

- Halten Sie die Taste MENU (7) gedrückt, um das Menü aufzurufen.
- Verwenden Sie die Tasten RIGHT (6) / LEFT (8), um den Abschnitt „Modus“ auszuwählen.
- Drücken Sie kurz die Taste MENU (7), um den Menüabschnitt aufzurufen.
- Verwenden Sie die Tasten RIGHT (6) / LEFT (8), um einen der unten beschriebenen Modi auszuwählen.
- Drücken Sie kurz die Taste MENU (7), um die Auswahl zu bestätigen.

▲ Modus „Felsen“. Optimal bei der Beobachtung von Objekten nach einem sonnigen Tag oder in städtischen Umgebungen.

▲ Modus „Wald“. Optimal beim Suchen und bei der Beobachtung im Felde, in Belaubung, Gebüsch und Gras. Der Modus bietet ein hohes Niveau der Information sowohl über das Beobachtungsobjekt als auch über Landschaftsdetails.

👁️ Modus „Identifizierung“. Optimal für Identifizierung der Beobachtungsobjekte bei ungünstigen Bedingungen (Nebel, Dunst, Regen, Schnee). Der Modus lässt typische Merkmale des Beobachtungsobjekts genauer erkennen. Die Vergrößerung der Detailierung kann von einem leichten Bildrauschen begleitet werden.

👤 „Benutzermodus“. Hier können Sie benutzerdefinierte Helligkeits- und Kontrasteinstellungen sowie einen der drei Modi als Basismodus konfigurieren und speichern.

Image Detail Boost  Aktivieren/ Deaktivieren der Funktion „Image Detail Boost“.






- Halten Sie die Taste MENU (7) gedrückt, um das Hauptmenü aufzurufen.
- Verwenden Sie die Tasten RIGHT (6) / LEFT (8), um den Menüpunkt „Image Detail Boost“ auszuwählen.
- Drücken Sie kurz die Taste MENU (7), um den Menüabschnitt aufzurufen.
- Drücken Sie kurz den Tasten RIGHT (6) / LEFT (8), um die Funktion zu aktivieren / deaktivieren.
- Bestätigen Sie die Auswahl durch Drücken der Taste MENU (7).




Wi-Fi Einstellungen  Mit diesem Menüpunkt kann das Gerät für den Betrieb im Wi-Fi Netz eingestellt werden.

- Halten Sie die Taste MENU (7) gedrückt, um das Hauptmenü aufzurufen.
- Verwenden Sie die Tasten RIGHT (6) / LEFT (8), um den Menüpunkt „Wi-Fi Einstellungen“ auszuwählen.
- Drücken Sie kurz die Taste MENU (7), um den Menüabschnitt aufzurufen.

Wi-Fi Aktivierung  Wi-Fi ein-/ ausschalten.

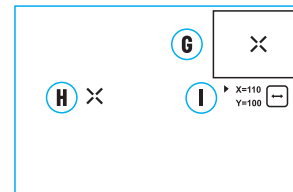
- Mit den Tasten RIGHT (6) / LEFT (8) wählen Sie den Menüpunkt „Wi-Fi Aktivierung“ aus.
- Drücken Sie kurz die Taste MENU (7), um den Menüabschnitt aufzurufen.
- Drücken Sie kurz den Tasten RIGHT (6) / LEFT (8), um Wi-Fi ein-/auszuschalten.
- Bestätigen Sie die Auswahl durch Drücken der Taste MENU (7).

Configuration de Kennwort Einstellung 	<p>Mit diesem Menüpunkt kann ein Kennwort für den Zugang zum Gerät von einem Fremdgerät eingestellt werden. Das Kennwort wird verwendet, wenn ein Fremdgerät (z.B. Smartphone) an das Gerät angeschlossen wird.</p> <ul style="list-style-type: none"> • Mit den Tasten RIGHT (6) / LEFT (8) wählen Sie den Menüpunkt „Kennwort Einstellung“ aus. • Drücken Sie die Taste MENU (7), um das Untermenü „Kennwort Einstellung“ aufzurufen. • Auf dem Display wird das Kennwort angezeigt, standardmäßig „12345678“. • Stellen Sie mit den Tasten RIGHT (6) / LEFT (8) das gewünschte Kennwort ein. Für das Wechseln zwischen den Stellen drücken Sie die Taste MENU (7). • Um das Kennwort zu speichern und das Untermenü zu verlassen, halten Sie die Taste MENU (7) gedrückt.
Zugriffsebene Einstellung 	<p>Mit diesem Unterpunkt können Sie die erforderliche Zugriffsebene für Ihr Gerät einstellen, die die Anwendung Stream Vision bekommt.</p> <ul style="list-style-type: none"> • Ebene „Inhaber“. Der Benutzer von Stream Vision hat den vollen Zugriff auf alle Funktionen des Gerätes. • Ebene „Gast“. Der Benutzer von Stream Vision kann sich nur Videos vom Gerät im Realzeitmodus anschauen. • Mit den Tasten RIGHT (6) / LEFT (8) wählen Sie den Menüpunkt „Zugriffsebene Einstellung“ aus. • Drücken Sie kurz die Taste MENU (7), um den Menüabschnitt aufzurufen. • Mit den Tasten RIGHT (6) / LEFT (8) wählen Sie „Inhaber“ oder „Gast“. • Bestätigen Sie die Auswahl durch Drücken der Taste MENU (7).
Allgemeine Einstellungen 	<p>In diesem Menüabschnitt können Sie die Sprache der Benutzeroberfläche ändern, das Datum, die Zeit und Maßeinheiten einstellen, zu den Werkseinstellungen zurückkehren sowie die Speicherkarte formatieren.</p> <ul style="list-style-type: none"> • Halten Sie die Taste MENU (7) gedrückt, um das Menü aufzurufen. • Verwenden Sie die Tasten RIGHT (6) / LEFT (8), um den Abschnitt „Allgemeine Einstellungen“ auszuwählen. • Drücken Sie kurz die Taste MENU (7), um den Menüabschnitt aufzurufen. • Wählen Sie den gewünschten Menüabschnitt mit den Tasten RIGHT (6) / LEFT (8).
Sprache 	<p>Sprachauswahl.</p> <ul style="list-style-type: none"> • Rufen Sie das Untermenü „Sprache“ durch kurzes Drücken der Taste MENU (7) auf. • Wählen Sie mit den Tasten RIGHT (6) / LEFT (8) eine der verfügbaren Sprachen der Benutzeroberfläche aus: Englisch, Französisch, Deutsch, Spanisch, Russisch. • Bestätigen Sie die Auswahl durch kurzes Drücken der Taste MENU (7).
Datum 	<p>Datumseinstellung.</p> <ul style="list-style-type: none"> • Rufen Sie das Untermenü „Datum“ durch kurzes Drücken der Taste MENU (7) auf. Das Datum wird im Format TT/ MM/JJJJ angezeigt. • Verwenden Sie die Tasten RIGHT (6) / LEFT (8), um das gewünschte Jahr, den gewünschten Monat und das gewünschte Datum auszuwählen. Für das Wechseln zwischen den Stellen drücken Sie kurz die Taste MENU (7). • Um das ausgewählte Datum zu speichern und das Untermenü zu verlassen, halten Sie die Taste MENU (3) gedrückt.

Zeit 	<p>Zeiteinstellung</p> <ul style="list-style-type: none"> • Rufen Sie das Untermenü „Zeit“ durch kurzes Drücken der Taste MENU (7) auf. • Drücken Sie die Tasten RIGHT (6) / LEFT (8), um das Zeitformat - 24 oder PM/AM - auszuwählen. • Drücken Sie die Taste MENU (7), um zur Einstellung der Stunden zu gelangen. • Drücken Sie die Tasten RIGHT (6) / LEFT (8), um den Stundenwert auszuwählen. • Drücken Sie die Taste MENU (7), um zur Einstellung der Minuten zu gelangen. • Drücken Sie die Tasten RIGHT (6) / LEFT (8), um den Minutenwert auszuwählen. • Um die ausgewählte Zeit zu speichern und das Untermenü zu verlassen, halten Sie die Taste MENU (7) gedrückt.
Standardeinstellungen 	<p>Wiederherstellung von Standardeinstellungen</p> <ul style="list-style-type: none"> • Rufen Sie das Untermenü „Standardeinstellungen“ durch kurzes Drücken der Taste MENU (7) auf. • Mit den Tasten RIGHT (6) / LEFT (8) wählen Sie die Variante „Ja“ aus, um zu den Standardeinstellungen zurückzukehren, oder „Nein“, um die Aktion abzubrechen. • Bestätigen Sie die Auswahl durch kurzes Drücken der Taste MENU (7). • Wenn die Variante „Ja“ ausgewählt ist, wird die Meldung „Standardeinstellungen zurücksetzen?“ und die Optionen „Ja“ und „Nein“ auf dem Display angezeigt. Wählen Sie die Option „Ja“, um die Speicherkarte zu formatieren. • Wenn die Option „Nein“ ausgewählt ist, wird die Formatierung abgelehnt und es erfolgt die Rückkehr zum Untermenü.
	<p>Die folgenden Einstellungen werden auf den ursprünglichen Zustand bis deren Änderung durch den Benutzer zurückgesetzt:</p> <ul style="list-style-type: none"> – Betriebsmodus des Videorekorders - Video. – Beobachtungsmodus - Wald. – Kalibrierungsmodus - automatisch. – Sprache - Englisch. – Wi-Fi - ausgeschaltet (Kennwort standardmäßig). – Farbtonpalette - White Hot. <p>Achtung: Bei Rückkehr zu den Standardeinstellungen werden die Werte für Datum, Zeit, Benutzerpixelkarte gespeichert.</p>
Formatieren 	<p>Dieser Menüpunkt ermöglicht das Formatieren der Flash-Karte (Speicherkarte) des Gerätes (dabei werden alle Dateien von der Speicherkarte gelöscht).</p> <ul style="list-style-type: none"> • Rufen Sie das Untermenü „Formatieren“ durch kurzes Drücken der Taste MENU (7) auf. • Mit den Tasten RIGHT (6) / LEFT (8) wählen Sie die Variante „Ja“ für die Formatierung der Speicherkarte aus oder „Nein“, um zum Untermenü zurückzukehren. • Bestätigen Sie die Auswahl durch Drücken der Taste MENU (7). • Wenn die Option „Ja“ ausgewählt ist, wird auf dem Display die Meldung „Möchten Sie die Speicherkarte formatieren?“ und die Optionen „Ja“ und „Nein“ angezeigt. Wählen Sie die Option „Ja“, um die Speicherkarte zu formatieren. • Wenn die Option „Nein“ ausgewählt ist, wird die Formatierung abgelehnt und es erfolgt die Rückkehr zum Untermenü.

Automatisches Abschalten ☰	<p>Mit diesem Menüpunkt können Sie das automatische Abschalten des Gerätes, das sich in einer Nichtarbeitsposition befindet (Neigung nach oben oder unten um mehr als 70°, nach rechts oder links um mehr als 30°), aktivieren.</p> <ul style="list-style-type: none"> • Halten Sie die Taste MENU (7) gedrückt, um das Hauptmenü aufzurufen. • Verwenden Sie die Tasten RIGHT (6) / LEFT (8), um das Untermenü „Automatisches Abschalten“ auszuwählen. • Drücken Sie kurz die Taste MENU (7), um das Untermenü aufzurufen. • Wählen Sie mit den Tasten RIGHT (6) / LEFT (8) den Zeitraum, in dem sich das Gerät in der Nichtarbeitsposition automatisch ausschaltet (1 Minute, 3 Minuten, 5 Minuten), oder wählen Sie die Variante „AUS“, wenn Sie die Funktion des automatischen Abschaltens des Gerätes deaktivieren möchten. • Bestätigen Sie die Auswahl durch kurzes Drücken der Taste MENU (7). <p>Hinweis: Wenn die Funktion des automatischen Abschaltens des Gerätes aktiviert ist, werden in der Statusleiste das Symbol und die ausgewählte Zeit des Abschaltens im Format „☰ 1 min“ angezeigt.</p>
Geräteinformation ①	<p>Die folgenden Informationen über das Gerät stehen dem Benutzer in diesem Menüpunkt zur Verfügung:</p> <ul style="list-style-type: none"> – SKU-Nummer des Gerätes – Firmwareversion des Gerätes – Vollständiger Name des Gerätes – Hardwareversion des Gerätes – Seriennummer des Gerätes – Serviceinformationen <p>So zeigen Sie Informationen an:</p> <ul style="list-style-type: none"> • Halten Sie die Taste MENU (7) gedrückt, um das Hauptmenü aufzurufen. • Verwenden Sie die Tasten RIGHT (6) / LEFT (8), um den Menüpunkt „Geräteinformation“ ① auszuwählen. • Drücken Sie kurz die Taste MENU (7), um die Auswahl zu bestätigen.
Reparatur der schadhafte Pixel ⊕	<p>Während des Betriebs des Gerätes können auf dem Mikrobolometer schadhafte (sogenannte „tote“) Pixel erscheinen: d. h. helle oder dunkle Punkte mit konstanter Helligkeit, die im Bild sichtbar sind.</p> <p>Wärmebildgeräte KRYPTON XG50 bieten die Möglichkeit, schadhafte Pixel auf dem Mikrobolometer programmgesteuert zu löschen sowie den Löschvorgang abzubrechen.</p> <ul style="list-style-type: none"> • Halten Sie die Taste MENU (7) gedrückt, um das Hauptmenü aufzurufen. • Verwenden Sie die Tasten RIGHT (6) / LEFT (8), um den Menüabschnitt „Reparatur der schadhafte Pixel“ ⊕ auszuwählen. • Drücken Sie die Taste MENU (7), um den Menüabschnitt aufzurufen.

Reparatur der schadhafte Pixel ⊕	<ul style="list-style-type: none"> • Wählen Sie den Menüpunkt „Reparatur der schadhafte Pixel“ durch kurzes Drücken der Taste MENU (7). • Auf der linken Seite des Displays erscheint eine Markierung × (H). • Auf der rechten Seite des Displays erscheint eine „Lupe“ (G) – ein Rechteck mit einem vergrößerten Markierungszeichen zur präzisen Auswahl des Pixels - und Koordinaten (I) des Markierungszeichens unter der „Lupe“. • Drücken Sie kurz die Tasten RIGHT (6) und LEFT (8) und richten Sie das schadhafte Pixel an der Mitte des vergrößerten Markierungszeichens in der „Lupe“ aus - das Pixel sollte verschwinden. Um die Bewegungsrichtung des Markierungszeichens von horizontal auf vertikal und umgekehrt zu wechseln, drücken Sie kurz die Taste MENU (7). • Löschen Sie das schadhafte Pixel durch kurzes Drücken der Taste ON (9). • Beim erfolgreichen Löschen erscheint im Rahmen eine kurzzeitige Meldung „OK“. • Bewegen Sie den Marker weiter über das Display, um das nächste schadhafte Pixel zu löschen. • Halten Sie die Taste MENU (7) gedrückt, um die Funktion „Reparatur der schadhafte Pixel“ zu verlassen.
Standard Karte von schadhafte Pixeln zurücksetzen ↶	<p>Zurücksetzen von allen schadhafte Pixeln, die zuvor vom Benutzer deaktiviert wurden, in ihren ursprünglichen Zustand:</p> <ul style="list-style-type: none"> • Verwenden Sie die Tasten RIGHT (6) / LEFT (8), um den Menüpunkt „Standard Karte von schadhafte Pixeln zurücksetzen“ ↶ auszuwählen. • Aktivieren Sie die Funktion durch kurzes Drücken der Taste MENU (7). • Wählen Sie mit den Tasten RIGHT (6) / LEFT (8) „Ja“, wenn Sie zur werkseitigen Pixelkarte zurückkehren möchten, oder „Nein“, wenn Sie diese Option ablehnen. • Bestätigen Sie die Auswahl durch kurzes Drücken der Taste MENU (7). <p>Achtung! Auf dem Display des Wärmebildgerätes sind 1-2 Pixel in Form von hellen weißen, dunklen oder farbigen (blauen, roten, grünen) Punkten zulässig, die nicht gelöscht werden und keine Mängel darstellen.</p>
Mikrofon 🔊	<p>Ein- / Ausschalten des Mikrofons.</p> <p>Mit dieser Option können Sie das Mikrofon für die Tonaufnahme während der Videoaufnahme aktivieren (oder deaktivieren).</p> <ul style="list-style-type: none"> • Halten Sie die Taste MENU (7) gedrückt, um das Hauptmenü aufzurufen. • Mit den Tasten RIGHT (6) / LEFT (8) wählen Sie den Menüpunkt „Mikrofon“ aus. • Um das Mikrofon ein-/auszuschalten, drücken Sie kurz die Taste MENU (7).
Grafikhelligkeit ☼	<p>Einstellung der Grafikhelligkeit.</p> <ul style="list-style-type: none"> • Halten Sie die Taste MENU (7) gedrückt, um das Menü aufzurufen. • Verwenden Sie die Tasten RIGHT (6) / LEFT (8), um den Abschnitt „Grafikhelligkeit“ auszuwählen. • Drücken Sie kurz die Taste MENU (7), um den Menüabschnitt aufzurufen. • Verwenden Sie die Tasten RIGHT (6) / LEFT (8), um die Stufe der Symbolhelligkeit auszuwählen. • Drücken Sie kurz die Taste MENU (7), um die Auswahl zu bestätigen.



Kalibrierungsmodus

↔

Auswahl des Kalibrierungsmodus des Mikrobolometers.

Es gibt drei Kalibrierungsmodi: den manuellen, den halbautomatischen und den automatischen.

- Halten Sie die Taste MENU (7) gedrückt, um das Menü aufzurufen.
- Verwenden Sie die Tasten RIGHT (6) / LEFT (8), um den Abschnitt „Kalibrierungsmodus“ ↔ auszuwählen.
- Drücken Sie kurz die Taste MENU (7), um den Menüabschnitt aufzurufen.
- Verwenden Sie die Tasten RIGHT (6) / LEFT (8), um einen der unten beschriebenen Kalibrierungsmodi auszuwählen.
- Drücken Sie kurz die Taste MENU (7), um die Auswahl zu bestätigen.

Automatisch (Automatic). Im automatischen Modus erfolgt die Ermittlung des Kalibrierbedarfs programmgesteuert. Der Kalibriervorgang startet automatisch.

Halbautomatisch (Semi-automatic). Der Benutzer bestimmt selbständig (je nach Zustand des beobachteten Bildes), ob eine Kalibrierung erforderlich ist.

Manuell (Manual). Manuelle Kalibrierung. Bringen Sie den Objektivschutzdeckel an, bevor Sie mit der Kalibrierung beginnen.

STATUSLEISTE



Die Statusleiste befindet sich im unteren Teil des Displays und zeigt Informationen über den Betriebsstatus des Gerätes an, darunter:

- Farbtonpalette (sie wird nur dann angezeigt, wenn die Farbtonpalette „Black Hot“ (Heißes Schwarz) ausgewählt ist).
- Beobachtungsmodus
- Kalibrierungsmodus (im automatischen Kalibrierungsmodus wird anstelle des Kalibrierungssymbols ein Countdown-Timer angezeigt, wenn bis zur automatischen Kalibrierung 3 Sekunden verbleiben).
- Mikrophon
- Wi-Fi Anschluss
- Funktion „Automatisches Abschalten“ (zum Beispiel, 1 Minute)
- Aktuelle Zeit
- Speisungsanzeige:

- Ladezustand, wenn das Gerät von einem Akku gespeist wird

- Ladezustand, wenn das Gerät von einem Akku gespeist wird und aufgeladen wird

- Keine Batterie, das Gerät ist an eine externe Stromquelle angeschlossen.

VIDEO- UND FOTOAUFNAHME DES BEOBACHTETEN BILDES

Wärmebildgeräte KRYPTON XG50 haben die Funktion der Video- und Fotoaufnahme des beobachteten Bildes auf der eingebauten Speicherkarte. Vor der Verwendung der Funktionen der Foto- und Videoaufnahme wird empfohlen, das Datum und die Zeit einzustellen (siehe die entsprechenden Menüpunkte).

Das eingebaute Aufnahmegerät funktioniert in zwei Modi:

MODUS VIDEO. VIDEOAUFNAHME

- Beim Einschalten befindet sich das Gerät im Modus VIDEO.
- Das Symbol und die verbleibende Aufnahmezeit (im Format HH : MM), z. B. 5:12, werden in der oberen linken Ecke angezeigt.

- Drücken Sie kurz die Taste RIGHT/REC (6), um die Videoaufnahme zu starten.
- Nach dem Start der Videoaufnahme verschwindet das Symbol , stattdessen erscheint das Symbol REC sowie der Timer der Videoaufnahme im Format MM : SS (Minuten : Sekunden); ●REC | 00:25
- Drücken Sie kurz die Taste RIGHT/REC (6), um die Videoaufnahme anzuhalten und dann fortzusetzen.
- Um die Videoaufnahme zu stoppen, halten Sie die Taste RIGHT/REC (6) gedrückt.
- Die Videodateien werden nach dem Stoppen der Videoaufnahme auf der eingebauten Speicherkarte gespeichert.
- Um zwischen den Modi (VIDEO-> FOTO-> VIDEO ...) zu wechseln, halten Sie die Taste RIGHT/REC (6) gedrückt.

MODUS FOTO. FOTOAUFNAHME

- Wechseln Sie in den Modus FOTO durch langes Drücken der Taste RIGHT/REC (6).
- Drücken Sie kurz die Taste RIGHT/REC (6), um ein Foto zu machen. Das Bild friert für eine halbe Sekunde ein - die Fotodatei wird auf der integrierten Speicherkarte gespeichert.

Anmerkungen: Während der Videoaufnahme können Sie das Menü des Gerätes aufrufen und im Menü arbeiten. Die aufgenommenen Videos und Fotos werden auf der eingebauten Speicherkarte des Gerätes im Format img_ xxx.jpg (für Fotos), und video_ xxx.mp4 (für Videos) gespeichert. xxx ist ein allgemeiner dreistelliger Dateizähler (für Fotos und Videos). Der Zähler, der bei der Benennung von Multimedia-Dateien verwendet wird, wird NICHT zurückgesetzt.

Achtung! Die maximale Länge der aufgenommenen Videodatei beträgt 5 Minuten. Nachdem diese Zeit abgelaufen ist, wird das Video in eine neue Datei aufgenommen. Die Anzahl der Dateien ist durch die interne Speicherkapazität des Gerätes beschränkt. Kontrollieren Sie regelmäßig den freien Speicherplatz auf der eingebauten Speicherkarte, übertragen Sie das aufgenommene Material auf andere Träger, so sorgen Sie für Platz auf der Speicherkarte.

WI-FI FUNKTION

Das Gerät hat die Funktion der drahtlosen Verbindung mit externen Geräten (Computer, Smartphone) über Wi-Fi.

Aktivieren Sie das Modul der drahtlosen Verbindung im Hauptmenü. Der Wi-Fi-Betrieb wird in der Statusleiste wie folgt angezeigt:

Verbindungsstatus	Anzeige in der Statusleiste
Wi-Fi aus	
Es erfolgt der Vorgang des Einschaltens von Wi-Fi im Gerät	
Wi-Fi ist eingeschaltet, es besteht keine Verbindung zum Gerät	
Wi-Fi ist eingeschaltet, das Gerät wurde erfolgreich verbunden	

- Von einem externen Gerät wird das Gerät als „KRYPTON_XXXX“ erkannt, wo XXXX die letzten vier Ziffern der Seriennummer sind.
- Nach der Kennworteingabe auf einem externen Gerät (weitere Informationen zur Kennworteinstellung finden Sie im Unterabschnitt „Wi-Fi Einstellungen“ im Abschnitt „Funktionen des Hauptmenüs“ der Bedienungsanleitung) und nach einer erfolgreichen Verbindung wird das Symbol in der Statusleiste des Gerätes auf das Symbol geändert.

FUNKTION „BILDSCHIRM AUS“ (DISPLAY OFF)

Diese Funktion deaktiviert die Übertragung des Bildes auf das Display durch Minimierung seiner Helligkeit. Dies hilft, ein versehentliches Demaskieren zu verhindern. Dabei funktioniert das Gerät weiter.



Diese Funktion bringt das Gerät in den Standby-Modus, so dass Sie es bei Bedarf schnell einschalten können.

- Halten Sie beim eingeschalteten Gerät die Taste ON (9) mindestens 3 Sekunden lang gedrückt. Das Display erlischt, die Meldung „Bildschirm Aus“ wird angezeigt.
- Drücken Sie kurz die Taste ON (9), um das Display einzuschalten.
- Wenn Sie die Taste ON (9) gedrückt halten, wird auf dem Display die Meldung „Bildschirm Aus“ mit dem Countdown angezeigt und das Gerät schaltet sich aus.

⚡ STREAM VISION

Die Wärmebilderäte KRYPTON XG50 enthalten die Technologie Stream Vision. Mit Stream Vision kann das Bild vom Wärmebildgerät auf Ihr Smartphone oder Tablet via Wi-Fi im Realzeitmodus übertragen werden.

Detaillierte Anweisungen zur Bedienung von Stream Vision finden Sie in einem separaten Prospekt oder auf der Webseite www.pulsar-vision.com



Anmerkung: Im Design des Gerätes ist die Möglichkeit des Updates der Firmware vorgesehen. Die Anleitung zum Firmware-Update:

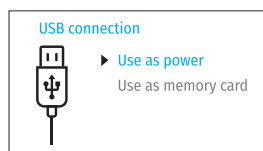
- Laden Sie die kostenlose Stream Vision-App bei Google Play oder App Store herunter. Scannen Sie die QR-Codes, um die App herunterzuladen:
- Verbinden Sie Ihr Pulsar-Gerät mit einem mobilen Gerät (Smartphone oder Tablet).
- Starten Sie Stream Vision und gehen Sie zum Abschnitt „Meine Geräte“.
- Wählen Sie Ihr Pulsar-Gerät aus und klicken Sie auf „Nach Updates suchen“.

Wichtig:

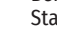
- Wenn Ihr Pulsar-Gerät mit dem Telefon verbunden ist, aktivieren Sie bitte die Übertragung der mobilen Daten (GPRS / 3G / 4G), um das Update herunterzuladen;
- Wenn Ihr Pulsar-Gerät mit Ihrem Telefon nicht verbunden ist, sich jedoch bereits im Abschnitt „Meine Geräte“ befindet, können Sie das Update über Wi-Fi herunterladen.
- Warten Sie, bis das Update heruntergeladen und installiert wird. Das Pulsar-Gerät wird neu gestartet und ist betriebsbereit.

⚡ ANSCHLUSS VON USB

- Schließen Sie ein Ende des USB-Kabels an den Anschluss USB-Type-C (11) des Gerätes an, das andere Ende an den Anschluss Ihres Computers.
- Schalten Sie das Gerät durch Drücken der Taste ON (9) ein (das ausgeschaltete Gerät wird vom Computer nicht erkannt).
- Das Gerät wird vom Computer automatisch erkannt, die Installation von Treibern ist nicht erforderlich.
- Auf dem Display erscheinen zwei Anschlussvarianten:
 - Verwenden als Stromversorgung.
 - Verwenden als Speicherkarte.
- Mit den Tasten RIGHT (6) / LEFT (8) wählen Sie eine Verbindungsvariante aus.
- Drücken Sie kurz die Taste MENU (7), um die Auswahl zu bestätigen.



VERWENDEN ALS STROMVERSORGUNG

- Bei der Wahl dieser Variante wird der Computer vom Gerät als eine externe Stromquelle verwendet. In der Statusleiste wird das Symbol  angezeigt. Das Gerät funktioniert weiter, alle Funktionen sind verfügbar.
- Der im Gerät installierte Akku wird nicht geladen.
- Wenn das USB-Kabel im Modus „Stromversorgung“ vom Gerät getrennt wird, funktioniert das Gerät weiter über den Akku, falls dieser vorhanden ist und ausreichend aufgeladen ist.

VERWENDEN ALS SPEICHERKARTE

- Bei der Wahl dieser Variante wird das Gerät vom Computer als eine Speicherkarte erkannt. Diese Option ist für die Arbeit mit Dateien vorgesehen, die im Speicher des Gerätes gespeichert sind. Die Funktionen des Gerätes sind dabei nicht verfügbar, das Gerät schaltet sich aus.
- Wenn zum Zeitpunkt der Verbindung ein Video aufgenommen wurde, wird die Aufnahme gestoppt und gespeichert.
- Wenn das USB-Kabel von dem im Modus „Speicherkarte“ angeschlossenen Gerät getrennt wird, bleibt das Gerät ausgeschaltet. Drücken Sie die Taste ON (9), um das Gerät für weitere Arbeit einzuschalten.

⚡ TECHNISCHE INSPEKTION

Vor jedem Gebrauch des Gerätes wird eine technische Inspektion empfohlen. Überprüfen Sie Folgendes:

- Außenansicht des Gerätes (Risse am Gehäuse sind nicht zulässig).
- Zustand der Objektiv- und Okularlinsen des Wärmebildmoduls (Risse, Fettflecken, Schmutz oder andere Ablagerungen sind nicht zulässig).
- Den Akku (muss geladen sein) und elektrische Kontakte (Salz und Oxidation sind nicht zulässig).
- Funktionsprüfung der Bedienknöpfe.
- Richtigkeit und Zuverlässigkeit der Befestigung des Wärmebildmoduls am optischen Gerät.

⚡ TECHNISCHE WARTUNG

Die Wartung wird mindestens zweimal jährlich durchgeführt und umfasst folgende Punkte:

- Reinigen Sie die Außenflächen von Metall- und Kunststoffteilen mit einem Baumwolltuch von Staub und Schmutz. Die Anwendung von Silikonfett ist zulässig.
- Reinigen Sie die elektrischen Kontakte des Akkus und des Akkusteckplatzes mit einem fettarmen organischen Lösungsmittel.
- Überprüfen Sie die Linsen des Okulars und Objektivs. Bei Bedarf reinigen Sie sie von Staub und Sand (vorzugsweise kontaktlos). Reinigen Sie die Außenflächen der Optik mit speziell dafür vorgesehenen Mitteln.
- Lagern Sie das Gerät immer nur in der Aufbewahrungstasche, in einem trockenen, gut belüfteten Raum. Bei der Dauerlagerung nehmen Sie den Akku unbedingt heraus.

⚡ FEHLERBESEITIGUNG

Die Tabelle zeigt eine Liste möglicher Probleme, die während des Betriebs des Gerätes auftreten können. Führen Sie die empfohlene Überprüfung und Reparatur in der Reihenfolge, wie es in der Tabelle angegeben ist, durch. Wenn es Mängel gibt, die in der Tabelle nicht aufgeführt sind, oder wenn es nicht möglich ist, den Mangel selbst zu beheben, muss das Gerät zur Reparatur eingeschickt werden.

Fehler	Mögliche Ursache	Beseitigung
Das Wärmebildgerät lässt sich nicht einschalten.	Der Akku ist vollständig entladen.	Laden Sie den Akku auf.
Das Gerät funktioniert nicht von einer externen Stromquelle.	Das USB-Kabel ist beschädigt. Die externe Stromquelle ist entladen.	Ersetzen Sie das USB-Kabel. Laden Sie die externe Stromquelle auf (falls erforderlich).
Das Bild ist verschwommen, mit vertikalen Streifen und einem ungleichmäßigen Hintergrund.	Kalibrierung ist erforderlich.	Kalibrieren Sie das Bild gemäß den Anweisungen im Abschnitt „Kalibrierung des Mikrobolometers“.
Schlechte Bildqualität Es gibt Geräusche und Nachbilder früherer Szenen oder Objekte	Die manuelle Kalibrierung wurde ohne Anbringen des Objektivschutzdeckels durchgeführt.	Überprüfen Sie, welcher Kalibrierungsmodus eingestellt ist, bringen Sie den Objektivschutzdeckel an und kalibrieren Sie das Gerät.
Das Bild ist zu dunkel.	Das Helligkeits- oder Kontrastniveau ist zu niedrig.	Stellen Sie die Helligkeit oder den Kontrast ein.
Auf dem Display sind farbige Streifen erschienen oder das Bild ist verschwunden.	Während des Betriebs wurde das Gerät statischer Spannung ausgesetzt.	Nach der Auswirkung statischer Spannung kann sich das Gerät selbständig neu starten oder man muss das Gerät ausschalten und wieder einschalten.
Es gibt kein Bild vom Beobachtungsobjekt.	Die Beobachtung erfolgt durch ein Glas.	Entfernen Sie das Glas oder ändern Sie die Beobachtungsposition
Schlechte Bildqualität / Reduzierte Erfassungsentfernung.	Beschriebene Probleme können bei der Beobachtung unter schwierigen Wetterbedingungen (Schnee, Regen, Nebel usw.) auftreten.	
Das Smartphone oder Tablet stellt keine Verbindung zum Gerät her.	Das Kennwort im Gerät wurde geändert. Das Gerät befindet sich in einer Zone mit großer Anzahl von Wi-Fi-Netzwerken, die Störungen verursachen können.	Löschen Sie das Netzwerk und stellen Sie die Verbindung mit dem im Gerät gespeicherten Kennwort erneut her. Um einen stabilen Wi-Fi Betrieb zu gewährleisten, bringen Sie das Gerät in eine Zone mit weniger Wi-Fi Netzwerken oder in eine Zone ohne zusätzliche Wi-Fi Netzwerke.
Signalgabe via Wi-Fi fehlt oder wird unterbrochen.	Das Gerät befindet sich außerhalb der Zone eines sicheren Wi-Fi-Signalempfangs. Zwischen dem Gerät und dem Signalempfänger befinden sich Hindernisse (z. B. Betonwand).	Bringen Sie Ihr Smartphone oder Tablet in die Sichtlinie von Wi-Fi.
Die Qualität des Umgebungsbildes bei Verwendung des Gerätes bei niedrigen Temperaturen ist schlechter als bei positiven Temperaturen.	Bei positiven Temperaturen erwärmen sich die Beobachtungsobjekte (Umgebung, Hintergrund) aufgrund unterschiedlicher Wärmeleitfähigkeit unterschiedlich, wodurch ein hoher Temperaturkontrast erzielt wird und dementsprechend die vom Wärmebildgerät erzeugte Bildqualität höher ist. Bei niedrigen Temperaturen werden die beobachteten Objekte (Hintergrund) in der Regel auf etwa die gleiche Temperatur abgekühlt, wodurch sich der Temperaturkontrast deutlich verringert und die Bildqualität (Detail) verschlechtert. Dies ist eine Besonderheit des Betriebs von Wärmebildgeräten.	

Die Reparatur des Gerätes ist innerhalb von 5 Jahren möglich.

⚡ ESPECIFICACIONES

MODELO	Krypton XG50
SKU	77375
Microbolómetro	
Tipo	no refrigerado
Resolución, píxeles	640x480
Tamaño de píxel, micrómetro	12
Tasa de actualización de fotogramas, Hz	50
Características ópticas	
Aumentos del monocular, x	5
Aumentos recomendados para dispositivos ópticos diurnos, x	1,5-6
Lente	F50/1.2
Zoom digital, x	-
Distanciamiento de la pupila de salida del ocular, mm	18
Diámetro de la pupila de salida del ocular, mm	6
Ángulo horizontal de campo de visión, grados / m por 100 m	8,7 / 15,4
Rango de enfoque del ocular, dioptrías	+5/ -5
Campo de detección para un objeto de 1,7 m de altura, m	2300
Distancia mínima de enfoque, m	5
Pantalla	
Tipo	AMOLED
Resolución, píxeles	1746x1000
Características operativas	
Tensión de alimentación externa, V	3-4,2
Tipo de pila	Li-Ion Battery Pack IPS 7
Capacidad	6400 mAh
Tensión de salida nominal	DC 3,7 V
Alimentación externa	5 V (USB)
Tiempo máximo de funcionamiento con un conjunto de pilas (a t = 22°C), hora*	8
Temperatura de funcionamiento, °C	-25 ... +50
Dimensiones, mm	260x93x76
Peso (sin pila y monocular), kg	0,52
Grabadora de vídeo	
Resolución de foto/vídeo, píxeles	960x720
Formato de vídeo/foto	.mp4 / .jpg
Memoria integrada	16 GB
Canal Wi-Fi	
Frecuencia	2,4 GHz
Estándar	802.11 b/g
Alcance de recepción con visibilidad directa, m**	hasta 15

* El tiempo real de funcionamiento de la pila depende del uso de Wi-Fi y de la grabadora de vídeo integrada.

**El alcance de recepción puede variar según diversos factores: la presencia de obstáculos, otras redes Wi-Fi.

⚡ PAQUETE DE ENTREGA

- Dispositivo de imagen térmica
- Monocular Pulsar 5x30 B
- Estuche
- Pila recargable IPS 7
- Cargador para la pila recargable
- Dispositivo de red
- Cable USB
- Manual breve de usuario
- Paño para limpiar la óptica
- Tarjeta de garantía

⚡ DESCRIPCIÓN

El dispositivo de imagen térmica Krypton XG50 está diseñado para una gran variedad de aplicaciones como la caza, actividades de seguridad, toma de fotos y grabación de vídeo de día y de noche. El módulo de imagen térmica que forma parte del Krypton XG50, con la ayuda de adaptadores especiales puede montarse en objetivos de diversos dispositivos ópticos diurnos, transformándolos en dispositivos de imagen térmica.

⚡ CARACTERÍSTICAS DISTINTIVAS

- Microbolómetro con resolución de 640x480 píxeles
- Tamaño de píxeles de microbolómetro 12 micras
- Pantalla AMOLED con resolución de 960x720
- Transformación fácil de un dispositivo telescópico diurno en uno de imagen térmica
- Preservación de las ventajas de dispositivos ópticos diurnos en condiciones nocturnas
- Tres modos de calibración (manual, semiautomático, automático)
- Cuatro modos de observación (Bosque, Rocas, Identificación, Uso)
- Uso cómodo en un amplio rango de aumento de dispositivos ópticos diurnos.
- Gran distancia de detección hasta 2300 m
- Puesta en marcha instantánea
- Función de apagado de la pantalla
- Grabación de vídeo integrada
- Actualización remota de soporte lógico
- Completamente resistente al agua (clase de protección IPX7)
- Amplio rango de temperatura de funcionamiento (-25°C...+50°C)

GRABACIÓN DE VIDEO/AUDIO

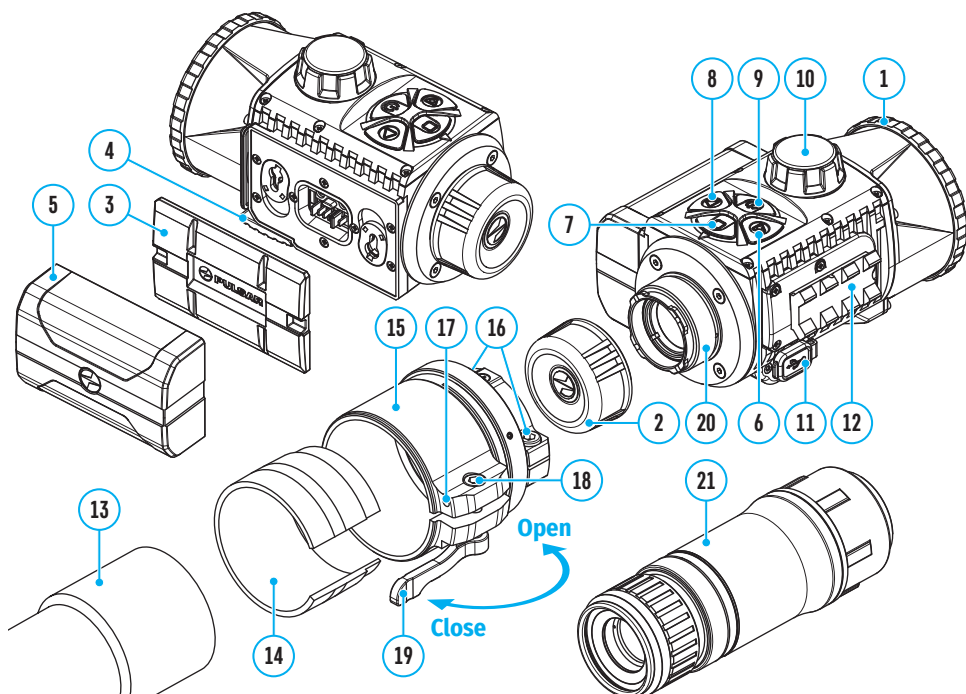
- Grabadora de vídeo incorporada
- Integración con dispositivos iOS y Android
- Wi-Fi. Control remoto y observación desde un teléfono inteligente
- Youtube. Transmisión de vídeo en vivo y grabación a Internet mediante un teléfono inteligente usando la aplicación Stream Vision

ALIMENTACIÓN

- Bloques Li-Ion de alimentación IPS 7 de montaje rápido
- Posibilidad de cargar de USB Power Bank

UNIDADES DE DISPOSITIVO Y CONTROLES

1. Tapa del objetivo
2. Cubierta de ocular
3. Tapa del compartimiento de batería
4. Palanca de instalación de batería
5. Pila recargable
6. Botón RIGHT/REC (Derecha/Grabación)
7. Botón MENU
8. Botón LEFT/MODE (Izquierda/Modo)
9. Botón de ON/CALIBRATION (Encendido/Calibración)
10. Perilla de enfoque del objetivo
11. Conector USB
12. Carril Weaver
13. Lente del dispositivo óptico
14. Casquillo
15. Adaptador
16. Tornillos
17. Tornillo de apriete
18. Tornillo
19. Brazo del adaptador
20. Punto de acoplamiento
21. Monocular Pulsar 5x30 B



FUNCIONAMIENTO DE BOTONES

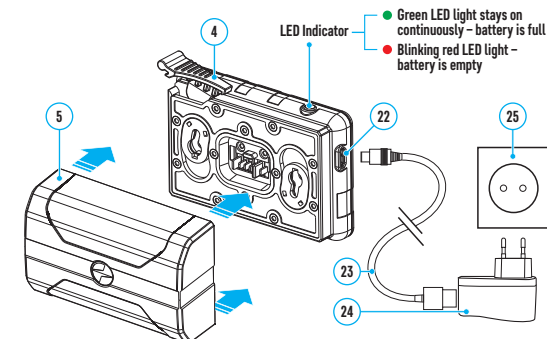
Controles	Condición/Modo de funcionamiento	1 pulsación breve	Siguientes pulsaciones breves	Pulsación prolongada
ON (9) ⏻	Dispositivo apagado	Encender el dispositivo	Calibración del dispositivo	Encender el dispositivo
	La pantalla está apagada	Encender la pantalla	Calibración del dispositivo	Apagar el dispositivo
	El dispositivo está encendido, menú rápido, menú principal			Apagar la pantalla / Apagar el dispositivo
MODE/LEFT (8) ◀	El dispositivo está encendido	Modos de observación		Seleccionar el modo de color
	Menú rápido	Reducir el parámetro		
	Menú principal	Navegar hacia abajo, contra las agujas del reloj		
MENU (7) □	El dispositivo está encendido	Entrar en el menú rápido		Entrar en el menú principal
	Menú rápido	Navegar hacia arriba		Salir del menú rápido
	Menú principal	Confirmar el valor, entrar en los puntos de menú		Salir de los puntos de menú, salir del menú principal
REC/RIGHT (6) ▶	El dispositivo está encendido, modo de vídeo	Iniciar la grabación de vídeo	Pausa	Cambiar entre modos vídeo/foto
	El dispositivo está encendido, modo de vídeo, grabación activada	Pausa	Continuar grabación de vídeo	Detener la grabación de vídeo
	El dispositivo está encendido, modo de foto	Fotografiado		Cambiar entre modos vídeo/foto
	Menú rápido	Incrementar el parámetro		
	Menú principal	Navegar hacia arriba, en sentido de las agujas del reloj		

USO DE LA PILA RECARGABLE

El dispositivo de imagen térmica Krypton XG50 se suministra con pila recargable de ion de litio Battery Pack IPS 7 que le permite funcionar hasta 8 horas. Cargue la pila antes del primer uso.

CARGA DE LA PILA RECARGABLE

- Levante la palanca (4) del dispositivo de carga.
- Retire la cubierta protectora de la pila recargable.
- Inserte la pila recargable (5) en el cargador hasta el tope, fije la pila bajando la palanca (4).
- Tras la instalación, en el cargador de red se encenderá el indicador verde y empezará a parpadear con determinado intervalo:
 - una vez, si la carga de la pila oscila entre el 0 y el 50%;
 - dos veces, si la carga de la pila oscila entre el 51 y el 75%;
 - tres veces, si la carga de la pila oscila entre el 76 y el 100%.



Si el indicador se mantiene encendido con una luz verde continua, la pila está totalmente cargada. Desconecte el cargador de red de la toma de corriente, desconecte la pila del cargador de red.

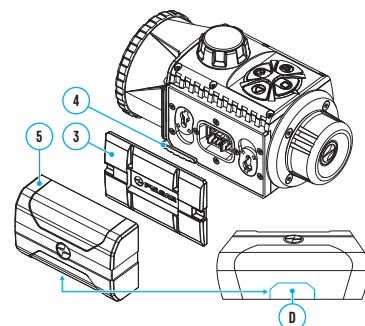
- Para cargar la pila, conecte la clavija microUSB del cable USB (23) al conector (22) del cargador de red.
- Conecte la otra clavija del cable USB (23) al cargador de red (24).
- Conecte el cargador de red (24) a una toma de corriente de 100-240 V (25); el proceso de carga de la pila va a comenzar.

¡Atención! Si al insertar la pila, el indicador del cargador se mantiene encendido con una luz roja continua, probablemente el nivel de carga de la pila es menor del aceptable (la pila estuvo descargada durante mucho tiempo). En este caso:

- conecte el cargador de red con la pila insertada a la red eléctrica y deje que se cargue durante más tiempo (hasta varias horas)
- retire la pila del cargador de red y luego vuelva a insertarla en el cargador de red
- si la luz del indicador empieza a parpadear en verde, la pila está en buen estado
- si el indicador continúa encendido con luz roja - la pila está defectuosa. ¡No use esta pila!

INSTALACIÓN DE LA PILA RECARGABLE

- Baje la palanca (4).
- Retire la cubierta protectora del compartimento de pila (3).
- Retire la batería (5) del cargador de red.
- Inserte la pila (5) en la ranura prevista para ésta en el dispositivo de manera que el elemento D (resalto en el casco de la pila) se encuentre abajo.
- Fije la pila (5) levantando la palanca (4).



MEDIDAS DE SEGURIDAD

- Para cargar las pilas IPS, siempre utilice el cargador de red IPS suministrado en el paquete de entrega del dispositivo (o comprado por separado). El uso de un cargador inadecuado puede causar daños irreparables a la pila y hacerla inflamarse.
- No cargue la pila enseguida tras traerla de condiciones frías a las calientes. Espere al menos 30 minutos para que la pila se caliente.
- No deje la batería sin supervisión durante su carga.
- No utilice el cargador de red si su estructura fue modificada o si fue dañado.
- No deje la batería en el cargador conectado a la red después de que la carga termine.
- No exponga la pila a temperaturas altas ni a una llama viva.
- Está prohibido utilizar la pila como fuente de alimentación para dispositivos que no admiten pilas IPS 7.
- No desarme ni deforme la pila ni el cargador de red.
- No deje caer ni golpee la pila ni el cargador de red.
- La pila y el cargador de red no están destinados a ser sumergidos en el agua.
- Mantenga la pila y el cargador de red fuera del alcance de los niños.

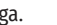

¡Atención! No utilice la batería IPS 14 con el KRYPTON XG50 debido al gran peso de la batería.

RECOMENDACIONES DE USO

- Para almacenar durante largo plazo, la pila debe estar parcialmente cargada – entre un 50 y un 80%.
- Cargue la pila a una temperatura ambiental de entre 0°C y +35°C. En caso contrario, la durabilidad de la batería disminuirá significativamente.
- Cuando la pila se usa a bajas temperaturas, la capacidad de la batería disminuye, esto es normal y no es un defecto.
- No use la pila a temperaturas fuera del rango de -25 ... +50 °C, esto puede reducir la vida útil de la batería.
- La pila está equipada con un sistema de protección contra cortocircuitos. No obstante, se debe evitar cualquier situación que pueda provocar un cortocircuito.

⚡ ALIMENTACIÓN EXTERNA

La alimentación externa se realiza de una fuente de alimentación externa de tipo Power Bank (5 V).

- Conecte la fuente de alimentación externa al conector USB Type-C (11) del dispositivo.
- El dispositivo cambia al funcionamiento por alimentación eléctrica externa, al mismo tiempo la pila APS 5 irá cargándose paulatinamente.
- En la pantalla aparecerá el pictograma de la pila  y se indicará el porcentaje del nivel de la carga.
- Si el dispositivo funciona con alimentación eléctrica externa, pero la pila IPS 7 está conectada, se muestra el pictograma .
- Cuando se desconecta la fuente de alimentación externa, cambia a la fuente de alimentación interna sin que el dispositivo se apague.

¡Atención! Si las pilas IPS 7 se cargan de Power Bank a temperaturas ambientales inferiores a 0°C, esto puede reducir la vida útil de la pila. Cuando se usa la alimentación externa, el Power Bank debe conectarse al dispositivo encendido, que anteriormente ya ha funcionado durante unos minutos.

⚡ FUNCIONAMIENTO

¡ADVERTENCIA! Está prohibido dirigir la lente del dispositivo hacia intensas fuentes de energía, como el sol o dispositivos que emiten radiación láser. Esto puede estropear los componentes electrónicos del dispositivo. Los daños causados por el incumplimiento de las normas de funcionamiento no están cubiertos por la garantía.

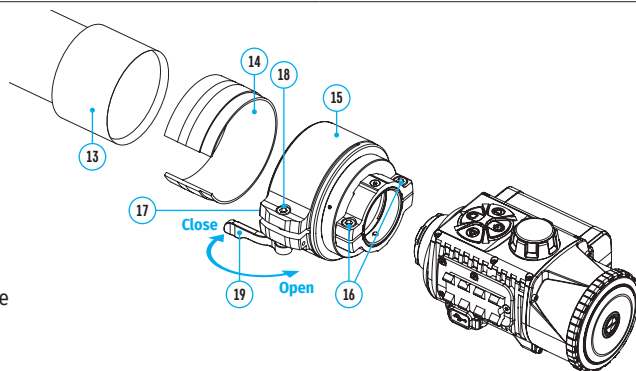
- Instalación del módulo de imagen térmica en un dispositivo óptico.
- Retire la cubierta del ocular (2).
- Seleccione el adaptador (15) (se adquiere por separado) con un casquillo (14) de diámetro adecuado en dependencia del diámetro externo del objetivo de su dispositivo óptico (13) (véase la tabla). La indicación 42 mm / 50 mm / 56 mm en la denominación del adaptador designa la apertura efectiva del objetivo del dispositivo óptico.

Tabla para seleccionar los casquillos para los dispositivos ópticos

Modelo del adaptador	Referencia del diámetro interior del casquillo y del diámetro exterior del casco del objetivo del dispositivo óptico diurno	
	Diámetro interior del casquillo, mm	Diámetro exterior del objetivo del dispositivo óptico diurno, mm
Adaptador PSP 42 mm	45.5	45.5
	46	46
	46.5	46.5
	47	46.7-47.6
	48	47.7- 48.6
	49	48.7-49.6
Adaptador PSP 50 mm	50	49.7-50.6
	51.6	51.6
	53.4	53.4
	55	54.7-55.6
	56	55.7-56.6
	57	56.7-57.6
	58	57.7-58.6
59	58.7-59.6	

Modelo del adaptador	Referencia del diámetro interior del casquillo y del diámetro exterior del casco del objetivo del dispositivo óptico diurno	
	Diámetro interior del casquillo, mm	Diámetro exterior del objetivo del dispositivo óptico diurno, mm
Adaptador PSP 56 mm	60	59.7-60.6
	61	60.7-61.6
	62	61.7-62.6
	63	62.7-63.6
	64	63.7-64.6
	65	64.7-65.6

- Atornille el adaptador (15) en el módulo de imagen térmica en la rosca del punto de acoplamiento (20). Se recomienda posicionar la palanca (19) a la derecha (véase la imagen).
- Consecutivamente y en varias etapas, apriete los tornillos (16) hasta que la junta de rótula del adaptador (15) se mueva con resistencia.
- Inserte el casquillo (14) hasta el tope en el adaptador (15).
- Antes de instalar el adaptador (15) en el dispositivo óptico, se recomienda desengrasar el cuerpo del objetivo del dispositivo óptico (13).
- Inserte hasta el tope el adaptador con el casquillo en el objetivo del dispositivo óptico (13).
- Pase la palanca (19) de la posición inicial "abierto" (OPEN) a la posición "cerrado" (CLOSE).
- Compruebe si el adaptador (15) se adhiere al objetivo (13).
- Si el adaptador con el módulo de imagen térmica se mueve libremente respecto a la lente del dispositivo óptico (13), haga lo siguiente:
 - Afloje con la llave Allen (S=2 mm) el tornillo de apriete (17).
 - Apriete el tornillo (18) con la llave Allen (S=4 mm). El esfuerzo de apriete debe garantizar cierta resistencia al moverse la palanca (19), mientras que el adaptador con el módulo de imagen térmica no debe moverse respecto a la carcasa del dispositivo óptico (13). Si es necesario, apriete o afloje el tornillo (18) hasta lograr el funcionamiento óptimo de la palanca (19).
 - Apriete el tornillo de apriete (17) hasta el tope.
- Encienda el módulo de imagen térmica presionando brevemente el botón ON (9).
- Inclinando el módulo de imagen térmica, haga coincidir el centro de la imagen en la pantalla con el centro de la imagen del dispositivo óptico.
- Girando el módulo de imagen térmica a la derecha o a la izquierda, nivele las márgenes superior e inferior de la pantalla de modo que estén paralelas a la horizontal del dispositivo óptico.
- Una vez lograda la posición óptima del módulo de imagen térmica, apriete dos tornillos (16) haciéndolo en varias etapas. El esfuerzo de apriete debe ser de 7 N·m (se puede verificarlo con un destornillador dinamométrico).



INSTALACIÓN DEL MONOCULAR EN EL MÓDULO DE IMAGEN TÉRMICA

El monocular Pulsar 5x30 B (21) le permite transformar un módulo de imagen térmica en un dispositivo de observación de imagen térmica con un aumento de 5 veces.

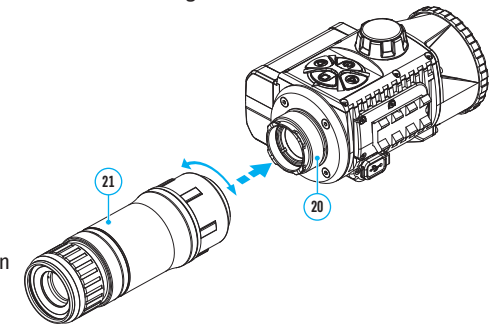
- Alinee los resaltes del monocular con las ranuras del punto de acoplamiento (20).
- Gire el monocular hacia la derecha para fijarlo en el módulo de imagen térmica.

- Para retirar el monocular, gírelo a la izquierda y retírelo del módulo de imagen térmica.

Nota: el monocular puede instalarse en un módulo de imagen térmica con un adaptador ya instalado.

PUESTA EN MARCHA Y AJUSTES DE LA IMAGEN

- Retire la tapa del objetivo (1) girándola hacia la izquierda.
- Encienda el dispositivo de imagen térmica presionando el botón ON (9).
- Ajuste la definición de los símbolos en la pantalla girando el anillo de ajuste dióptrico del ocular de su dispositivo óptico. En adelante, cualesquiera que sean la distancia y otras condiciones, no hará falta girar el anillo de ajuste dióptrico del ocular.
- Para enfocar en el objeto de observación gire la perilla de enfoque del objetivo (10).
- Entre en el menú principal presionando prolongadamente el botón MENU (7) y elija el modo de calibración deseado: manual (M), semiautomático (SA) o automático (A).
- Calibre la imagen presionando brevemente el botón ON (9). Cierre la tapa del objetivo antes de empezar la calibración manual.
- Seleccione el modo de observación deseado ("Bosque", "Rocas", "Identificación", "Uso") presionando brevemente el botón MODE (8) o en el menú principal. El modo de uso permite configurar y guardar parámetros personalizados de brillo y contraste en el menú rápido del dispositivo.
- Mantenga presionado el botón MODE (8) para seleccionar una de las dos paletas de colores.
- Active el menú rápido presionando brevemente el botón MENU (7) para ajustar el brillo y el contraste de la pantalla (para más detalles, consulte la sección "Funciones del menú rápido" del manual).
- Al finalizar el uso, apague el dispositivo con una pulsación prolongada del botón ON (9).



⚡ CALIBRACIÓN DE MICROBOLÓMETRO

La calibración le permite equilibrar el fondo de temperatura del microbolómetro y eliminar los defectos de la imagen (como rayas verticales, imágenes fantasma, etc.).

Durante la calibración, la imagen en la pantalla se congela por un breve período de hasta 1 segundo.

Hay tres modos de calibración: manual (M), semiautomático (SA) y automático (A).

Seleccione el modo deseado en el punto del menú "Regimen de calibración" ⇄.

Modo M (manual).

- Cierre la tapa del objetivo, pulse brevemente el botón ON (9).
- Al finalizar la calibración, abra la tapa.

Modo SA (semiautomático).

- La calibración se activa pulsando brevemente el botón ON (9).
- No es necesario cerrar la tapa (el microbolómetro está cerrado por un obturador interno).

Modo A (automático).

- El dispositivo se calibra de forma autónoma, conforme al algoritmo de soporte lógico.
- No es necesario cerrar la tapa (el microbolómetro está cerrado por un obturador interno).
- En este modo, el usuario puede calibrar el dispositivo usando el botón ON (9).

IMAGE DETAIL BOOST

La función "Image Detail Boost" ▾ aumenta la definición de contornos de los objetos calentados, lo que incrementa su nivel de detalle. El resultado de la función depende del modo seleccionado y las condiciones de observación: cuanto mayor sea el contraste de los objetos, más notable será el efecto. Esta opción está activada de manera predeterminada, pero se puede desactivarla en el menú principal.

⚡ FUNCIONES DEL MENÚ RÁPIDO

• Entre en el menú presionando brevemente el botón MENU (7).

• Para pasar de una función a otra de las que están descritas abajo, pulse brevemente el botón MENU (7).

Luminosidad – pulsando los botones RIGHT (6)/ LEFT (8) cambie la luminosidad de la pantalla de 0 a 20.

Contaste – pulsando los botones RIGHT (6)/ LEFT (8) cambie el contaste de la imagen de 0 a 20.

Modo básico – le permite seleccionar uno de los tres modos como básico para el modo de uso.

• Para salir del menú mantenga presionado el botón MENU (7) o espere 10 segundos para salir automáticamente.

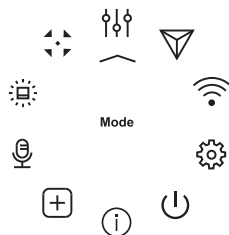
⚡ FUNCIONES DEL MENÚ PRINCIPAL

• Entre en el menú principal pulsando prolongadamente el botón MENU (7).

• Para pasar entre los puntos del menú, vaya pulsando los botones RIGHT (6)/ LEFT (8).

• Para entrar en un punto del menú, pulse brevemente el botón MENU (7).

• Para salir del menú mantenga presionado el botón MENU (7) o espere 10 segundos para salir automáticamente.

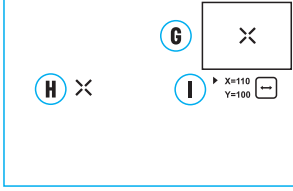





COMPOSICIÓN Y DESCRIPCIÓN DEL MENÚ

Regimen 	<p>El dispositivo tiene cuatro modos de observación: “Bosque” (modo para observar objetos en condiciones de bajo contraste de temperaturas), “Rocas” (modo para observar objetos en condiciones de alto contraste de temperaturas), “Identificación” (modo de alto nivel de detalles), “Uso” (ajuste individual de luminosidad y contraste).</p>
	<p>Opción 1:</p> <ul style="list-style-type: none"> • Pulse brevemente el botón MODE (8) para cambiar el modo de observación. <p>Opción 2:</p> <ul style="list-style-type: none"> • Pulse y mantenga pulsado el botón MENU (7) para entrar en el menú. • Use los botones RIGHT (6)/ LEFT (8) para seleccionar la sección “Regimen”. • Pulse brevemente el botón MENU (7) para entrar en una sección del menú. • Use los botones RIGHT (6)/ LEFT (8) para seleccionar uno de los modos descritos a continuación. • Pulse brevemente el botón MENU (7) para confirmar la elección.
	<p> Modo “Rocas”. Óptimo para observar objetos después de un día soleado o en ambiente urbano.</p> <p> Modo “Bosque”. Óptimo para buscar y observar en el campo, con follaje, arbustos y hierba en el fondo. El modo proporciona un alto nivel de información tanto sobre el objeto observado como sobre los detalles del paisaje.</p> <p> Modo “Identificación”. Óptimo para reconocer objetos observados en condiciones adversas (niebla, neblina, lluvia, nieve). Le permite reconocer más claramente los rasgos característicos del objeto observado. El aumento del nivel de detalle puede ir acompañado por un pequeño granulado de imagen.</p>
	<p> Modo “Uso”. Le permite configurar y guardar configuraciones personalizadas de luminosidad y contraste, así como uno de los tres modos como modo de base.</p>
Image Detail Boost 	<p>Activar/desactivar la función “Image Detail Boost”.</p> <ul style="list-style-type: none"> • Pulse y mantenga pulsado el botón MENU (7) para entrar en el menú principal. • Use los botones RIGHT (6)/ LEFT (8) para seleccionar “Image Detail Boost”. • Pulse brevemente el botón MENU (7) para entrar en una sección del menú. • Use los botones RIGHT (6)/ LEFT (8) para activar/desactivar la función. • Pulse brevemente MENU (7) para confirmar la elección.

Ajustes de Wi-Fi 	<p>Este punto permite configurar el dispositivo para trabajar en la red Wi-Fi.</p> <ul style="list-style-type: none"> • Pulse y mantenga pulsado el botón MENU (7) para entrar en el menú principal. • Use los botones RIGHT (6)/ LEFT (8) para seleccionar “Ajustes de Wi-Fi”. • Pulse brevemente el botón MENU (7) para entrar en una sección del menú.
Activar Wi-Fi 	<p>Activar / Desactivar Wi-Fi.</p> <ul style="list-style-type: none"> • Use los botones RIGHT (6)/ LEFT (8) para seleccionar el punto “Activar Wi-Fi”. • Pulse brevemente el botón MENU (7) para entrar en una sección del menú. • Use los botones RIGHT (6)/ LEFT (8) para activar/desactivar Wi-Fi • Pulse brevemente MENU (7) para confirmar la elección.
Establecer contraseña 	<p>Este punto permite configurar la contraseña de acceso al dispositivo desde un dispositivo externo. La contraseña se utiliza cuando un dispositivo externo (por ejemplo, un teléfono inteligente) se conecta al dispositivo.</p> <ul style="list-style-type: none"> • Use los botones RIGHT (6)/ LEFT (8) para seleccionar el punto “Establecer contraseña”. • Pulse brevemente el botón MENU (7) para entrar en una sección del menú. • En la pantalla aparecerá la contraseña – la predeterminada es “12345678”. • Usando los botones RIGHT (6)/ LEFT (8) configure la contraseña deseada. Para moverse entre los dígitos, pulse el botón MENU (7). • Mantenga pulsado el botón MENU (7) para guardar la contraseña y salir del submenú.
Establecer nivel de acceso 	<p>Este punto le permite configurar el nivel necesario de acceso a su dispositivo que recibe la aplicación Stream Vision.</p> <ul style="list-style-type: none"> • Nivel “Propietario”. El usuario tiene pleno acceso a todas las funciones del dispositivo desde la aplicación Stream Vision. • Nivel “Invitado”. Desde la aplicación Stream Vision el usuario solo puede ver vídeos en tiempo real. • Use los botones RIGHT (6)/ LEFT (8) para seleccionar el punto “Establecer nivel de acceso”. • Pulse brevemente el botón MENU (7) para entrar en una sección del menú. • Use los botones RIGHT (6)/ LEFT (8) para seleccionar “Propietario” o “Invitado”. • Pulse brevemente MENU (7) para confirmar la elección.
Ajustes generales 	<p>Esta sección del menú le permite cambiar la lengua de interfaz, configurar la fecha, la hora, las unidades de medida, volver a la configuración predeterminada y también formatear la tarjeta de memoria.</p> <ul style="list-style-type: none"> • Pulse y mantenga pulsado el botón MENU (7) para entrar en el menú. • Use los botones RIGHT (6)/ LEFT (8) para seleccionar “Ajustes generales”. • Pulse brevemente el botón MENU (7) para entrar en una sección del menú. • Use los botones RIGHT (6)/ LEFT (8) para seleccionar el menú requerido.
Idioma 	<p>Selección de lengua.</p> <ul style="list-style-type: none"> • Entre en el submenú “Idioma” pulsando brevemente el botón MENU (7). • Usando los botones RIGHT (6)/ LEFT (8) seleccione una de las lenguas disponibles de interfaz: inglés, francés, alemán, español, ruso. • Confirme la elección pulsando brevemente el botón MENU (7).
Fecha 	<p>Configuración de la fecha.</p> <ul style="list-style-type: none"> • Entre en el submenú “Fecha” pulsando brevemente el botón MENU (7). La fecha se muestra en formato dd/mm/aaaa. • Use los botones RIGHT (6)/ LEFT (8) para seleccionar el año, mes y fecha necesarios. Para moverse entre los dígitos, pulse brevemente el botón MENU (7). • Para guardar la fecha elegida y salir del submenú mantenga pulsado el botón MENU (7).

Hora ⊕	<p>Configuración de la hora.</p> <ul style="list-style-type: none"> Entre en el submenú “Hora” pulsando brevemente el botón MENU (7). Pulsando los botones RIGHT (6)/ LEFT (8) elija el formato de la hora – 24 ó PM/AM. Para empezar a ajustar la hora pulse el botón MENU (7). Pulsando los botones RIGHT (6)/ LEFT (8) seleccione la hora. Para pasar a la configuración de los minutos pulse el botón MENU (7). Pulsando los botones RIGHT (6)/ LEFT (8) seleccione los minutos. Para guardar la hora ajustada y salir del submenú mantenga pulsado el botón MENU (7).
Configuración predeterminada ↵	<p>Restablecer la configuración predeterminada.</p> <ul style="list-style-type: none"> Entre en el submenú “Configuración predeterminada” pulsando brevemente el botón MENU (7). Usando los botones RIGHT (6)/ LEFT (8) seleccione la opción “Sí” para volver a la configuración predeterminada o “No” para cancelar la acción. Confirme la elección pulsando brevemente el botón MENU (7). Si selecciona la opción “Sí”, en la pantalla aparece el mensaje “¿Restaurar la configuración predeterminada?” y las opciones “Sí” y “No”. Seleccione “Sí” para formatear la tarjeta de memoria. Si se selecciona la opción “No”, se cancela el formateo y se vuelve al submenú. <p>Los siguientes parámetros volverán a su configuración inicial que se tenía antes de que la cambiara el usuario:</p> <ul style="list-style-type: none"> Modo de funcionamiento de la grabadora de vídeo – vídeo Modo de observación – Bosque Modo de calibración – automático Idioma – inglés Wi-Fi – desactivado (contraseña predeterminada) Modos de color – White Hot. <p>Atención: cuando vuelve a la configuración predeterminada, se guardan la fecha, la hora, el mapa de píxeles personalizado.</p>
Formatear 🗑️	<p>Este punto permite formatear la tarjeta Flash (tarjeta de memoria) del dispositivo (eliminará todos los archivos en la tarjeta de memoria).</p> <ul style="list-style-type: none"> Entre en el submenú “Formatear” pulsando brevemente el botón MENU (7). Usando los botones RIGHT (6)/ LEFT (8) seleccione “Sí” para formatear la tarjeta de memoria o “No” para cancelar la acción. Confirme la elección pulsando el botón MENU (7). Si selecciona la opción “Sí”, en la pantalla aparecerá el mensaje “¿Quiere formatear la memoria?” y opciones “Sí” y “No”. Seleccione “Sí” para formatear la tarjeta de memoria. Si se selecciona la opción “No”, se cancela el formateo y se vuelve al submenú.
Desconexión automática 🔌	<p>Este punto permite activar la función de la desconexión automática del dispositivo que no se encuentra en régimen de funcionamiento (elevación o inclinación en un ángulo de más de 70°, hacia derecha o hacia izquierda, en un ángulo de más de 30°).</p> <ul style="list-style-type: none"> Pulse y mantenga pulsado el botón MENU (7) para entrar en el menú principal. Use los botones RIGHT (6) / LEFT (8) para seleccionar el submenú “Desconexión automática”. Pulse brevemente el botón MENU (7) para entrar en el submenú. Usando los botones RIGHT (6) / LEFT (8) seleccione el período de tiempo durante el cual el dispositivo en una posición no operacional se apagará automáticamente (1 min, 3 min, 5 min), o seleccione “Off” si desea desactivar la función del apagado automático del dispositivo. Confirme la selección pulsando brevemente el botón MENU (7). <p>Nota: Si la función de la desconexión automática del dispositivo está activada, en la barra de estado se muestran el pictograma y el tiempo de apagado seleccionado en formato ⏱ 1 min.</p>




Acerca del dispositivo ①	<p>Este punto permite al usuario ver la siguiente información sobre el dispositivo:</p> <ul style="list-style-type: none"> Número de SKU del dispositivo Versión del soporte lógico del dispositivo Nombre completo del dispositivo Versión de ensamblaje del dispositivo Número de serie del dispositivo Información de servicio <p>Para mostrar la información:</p> <ul style="list-style-type: none"> Pulse y mantenga pulsado el botón MENU (7) para entrar en el menú principal. Use los botones RIGHT (6) / LEFT (8) para seleccionar el punto “Acerca del dispositivo” ①. Pulse brevemente MENU (7) para confirmar la elección.
Eliminación de píxeles defectuosos ⊕	<p>Durante el funcionamiento del dispositivo en el microbolómetro pueden aparecer píxeles defectuosos, es decir puntos brillantes u oscuros con luminosidad constante, visibles en la imagen.</p> <p>Los monoculares térmicos KRYPTON XG50 brindan la posibilidad de eliminar píxeles defectuosos en el microbolómetro usando el soporte lógico, así como cancelar la eliminación.</p> <ul style="list-style-type: none"> Pulse y mantenga pulsado el botón MENU (7) para entrar en el menú principal. Use los botones RIGHT (6) / LEFT (8) para seleccionar la sección del menú “Eliminación de píxeles defectuosos” ②. Presione el botón MENU (7) para entrar en la sección del menú.
Eliminación de píxeles defectuosos ⊕	<ul style="list-style-type: none"> Seleccione el elemento de menú “Eliminación de píxeles defectuosos” pulsando brevemente el botón MENU (7). Aparece un marcador ✕ (H) en la parte izquierda de la pantalla. En la parte derecha de la pantalla aparecerá una “lupa” (G) - un rectángulo con una presentación ampliada del marcador para una selección precisa del píxel - y las coordenadas (I) del marcador bajo la “lupa”. Presionando brevemente los botones RIGHT (6) / LEFT (8), alinee el píxel defectuoso con el centro del marcador ampliado en la “lupa”: el píxel debe desaparecer. Para cambiar la dirección del movimiento del marcador de horizontal a vertical y viceversa, pulse brevemente el botón MENU (7). Elimine el píxel defectuoso pulsando brevemente el botón ON (9). En caso de eliminación exitosa, en el marco aparecerá de forma breve el mensaje “OK”. A continuación, moviendo el marcador por la pantalla, puede eliminar el siguiente píxel defectuoso. Para salir de la función “Tratamiento de píxeles “defectuosos”, mantenga presionado el botón MENU (7). 
Vuelta a la mapa de píxeles original ↵	<p>Para volver todos los píxeles defectuosos desactivados por el usuario a la situación predeterminada:</p> <ul style="list-style-type: none"> Use los botones RIGHT (6) / LEFT (8) para seleccionar “Vuelta a la mapa de píxeles original” ③. Active la función presionando brevemente el botón MENU (7). Usando los botones RIGHT (6) / LEFT (8), seleccione “Sí” si desea volver al mapa de píxeles predeterminado, o “No” si no lo desea. Confirme la elección pulsando brevemente el botón MENU (7). <p>Atención! En la pantalla del monocular se admiten 1-2 píxeles en forma de puntos brillantes blancos, oscuros o de color (azul, rojo, verde) que no se eliminan y no son un defecto.</p>

Micrófono 	<p>Activar/Desactivar el micrófono.</p> <p>Este punto le permite activar (o desactivar) el micrófono para grabar sonido durante la grabación de vídeo.</p> <ul style="list-style-type: none"> • Mantenga pulsado el botón MENU (7) para entrar en el menú. • Usando los botones RIGHT (6) / LEFT (8) seleccione el punto de menú “Micrófono”. • Pulse brevemente el botón MENU (7) para entrar en una sección del menú. • Use los botones RIGHT (6) / LEFT (8) para activar/desactivar el micrófono. • Pulse brevemente MENU (7) para confirmar la elección.
Luminosidad de gráfico 	<p>Configurar la luminosidad de pictogramas</p> <ul style="list-style-type: none"> • Pulse y mantenga pulsado el botón MENU (7) para entrar en el menú. • Use los botones RIGHT (6) / LEFT (8) para seleccionar “Luminosidad de gráfico” . • Pulse brevemente el botón MENU (7) para entrar en una sección del menú. • Use los botones RIGHT (6) / LEFT (8) para seleccionar el nivel de luminosidad de pictogramas de 0 a 10. • Pulse brevemente el botón MENU (7) para confirmar la elección.
Regímen de calibración 	<p>Seleccionar del modo de calibración de microbolómetro</p> <p>Hay tres modos de calibración: manual, semiautomático y automático.</p> <ul style="list-style-type: none"> • Pulse y mantenga pulsado el botón MENU (7) para entrar en el menú. • Use los botones RIGHT (6) / LEFT (8) para seleccionar la sección “Regímen de calibración” . • Pulse brevemente el botón MENU (7) para entrar en una sección del menú. • Use los botones RIGHT (6) / LEFT (8) para seleccionar uno de los modos de calibración que se describen a continuación. • Pulse brevemente el botón MENU (7) para confirmar la elección. <p>Automático (Automatic). En modo automático el soporte lógico determina si es necesaria la calibración, el proceso de calibración comienza automáticamente.</p> <p>Semiautomático (Semi-automatic). El usuario de forma autónoma (según el estado de la imagen observada) determina la necesidad de calibración.</p> <p>Manual (Manual). Calibración manual. Cierre la tapa del objetivo antes de comenzar la calibración.</p>

⚡ BARRA DE ESTADO



La barra de estado se encuentra en la parte inferior de la pantalla y muestra la información sobre el estado actual del dispositivo, incluso:



- Modo de color (se muestra solo cuando está activado el modo de color “Black Hot” (Negro caliente))
- Modo de observación
- Modo de calibración (en modo de calibración automático, cuando quedan 3 segundos hasta la calibración automática, se muestra un temporizador de cuenta regresiva en lugar del pictograma de calibración)
- Micrófono
- Conexión por Wi-Fi
- Desconexión automática 1 min (si la función está activada)
- Tiempo actual
- Indicación de alimentación:
 -  - nivel de carga si el dispositivo funciona con la pila recargable
 -  - nivel de carga si el dispositivo funciona con la pila recargable y está cargándose
 -  - sin pila, el dispositivo está conectado a una fuente de alimentación externa.

⚡ GRABACIÓN DE VIDEO Y FOTOGRAFIADO DE LA IMAGEN OBSERVADA

Los monoculares de imagen térmica KRYPTON XG50 tienen la función de grabación de vídeo y fotografiado de la imagen observada a la tarjeta de memoria incorporada. Antes de utilizar las funciones de grabación de fotos y vídeos, se recomienda configurar la fecha y la hora (véase los puntos correspondientes del menú).

El grabador integrado funciona en dos modos:

MODO “VÍDEO”. GRABACIÓN DE VÍDEO DE LA IMAGEN

- Al encenderse, el dispositivo se encuentra en modo “VÍDEO”.
- En el rincón superior izquierdo se muestran el pictograma  y el tiempo restante para la grabación (en formato hh : mm), por ejemplo 5:12.
- Presione brevemente el botón RIGHT/REC (6) para iniciar la grabación de vídeo.
- Al iniciar la grabación de vídeo, el pictograma  desaparece, y en su lugar aparece el pictograma REC y el temporizador de la grabación en formato MM:SS (minutos : segundos) ●REC | 00:25 .
- Para pausar la grabación de vídeo y luego continuar la grabación, presione brevemente el botón RIGHT/REC (6).
- Para detener la grabación de vídeo mantenga pulsado el botón RIGHT/REC (6).
- Los archivos de vídeo se guardan en la tarjeta de memoria integrada tras detener la grabación de vídeo.
- Para cambiar entre los modos (VÍDEO-> FOTO-> VÍDEO...) pulse y mantenga presionado el botón RIGHT/REC (6).

MODO “FOTO”. FOTOGRAFIANDO UNA IMAGEN

- Cambie al modo “FOTO” manteniendo pulsado el botón RIGHT/REC (6).
- Pulse brevemente el botón RIGHT/REC (6) para tomar una fotografía. La imagen se congela por 0,5 segundos - el archivo con la foto se guarda en la tarjeta de memoria integrada.





Notas: Durante la grabación de vídeo usted puede entrar y utilizar el menú del dispositivo. Los vídeos grabados y las fotos tomadas se guardan en la tarjeta de memoria integrada del dispositivo en formato img_XXX.jpg (para fotos); video_XXX.mp4 (para vídeo). XXX – contador general de archivos de tres dígitos (para fotos y vídeo). El contador usado para los nombres de los archivos multimedia NO se reinicia.



Atención: La duración máxima de un vídeo grabado es de cinco minutos. Después de que se acabe este tiempo, el vídeo se graba en un nuevo archivo. El número de archivos grabados está limitado por la capacidad de la memoria interna del dispositivo. Compruebe periódicamente el espacio libre de la memoria interna, pase el material grabado a otros medios digitales liberando el espacio de la tarjeta de memoria.

⚡ FUNCIÓN WI-FI

El dispositivo tiene la función de comunicación inalámbrica con dispositivos externos (ordenador, teléfono inteligente) a través de Wi-Fi.

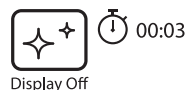
Encienda el módulo inalámbrico en el menú principal. El funcionamiento de Wi-Fi se muestra en la barra de estado de modo siguiente:

Estado de la conexión	Indicación en la barra de estado
Wi-Fi está desconectado	
Wi-Fi está activándose en el dispositivo	
Wi-Fi está encendido, sin conexión con el dispositivo	
Wi-Fi está encendido, el dispositivo está conectado	

- Su dispositivo es detectado por un aparato externo bajo el nombre “KRYPTON_XXXX”, donde el XXXX son los cuatro últimos dígitos del número de serie.
- Al introducir la contraseña en el dispositivo externo (para más información sobre cómo configurar la contraseña, consulte la sección “Ajustes de Wi-Fi” en la sección “Funciones del menú principal” del guía de usuario) y establecer la conexión, el pictograma  en la barra de estado del dispositivo cambia a .

⚡ FUNCIÓN “APAGAR LA PANTALLA” (DISPLAY OFF)

Esta función desactiva la transferencia de la imagen a la pantalla, reduciendo al mínimo su luminosidad. Esto ayuda a prevenir que el camuflaje se descubra por casualidad. El dispositivo continúa funcionando.



Cuando se usa esta función el dispositivo pasa al modo de espera que permite encenderlo rápidamente cuando sea necesario.

- Cuando el aparato está encendido, presione y mantenga presionado el botón ON (9) durante menos de 3 segundos. La pantalla se apaga, aparece el mensaje “Apagar la pantalla”.
- Para encender la pantalla, pulse brevemente el botón ON (9).
- Cuando mantiene presionado el botón ON (9), la pantalla mostrará el mensaje “Apagar la pantalla” con una cuenta regresiva y el dispositivo se apagará.

⚡ STREAM VISION

Los monoculares térmicos KRYPTON XG50 admiten la tecnología Stream Vision que mediante Wi-Fi le permite transmitir imágenes desde el monocular térmico a su teléfono inteligente o a la tableta en modo de tiempo real.

Encontrará indicaciones detalladas sobre el funcionamiento de Stream Vision en un folleto aparte o en nuestro sitio web www.pulsar-vision.com



Nota: el dispositivo está diseñado con la posibilidad de actualizar el soporte lógico. Procedimiento de actualización de soporte lógico:

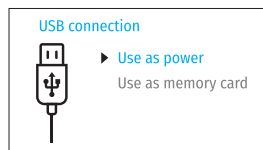
- Descargue la aplicación gratuita Stream Vision en Google Play o App Store. Para descargar la aplicación, escanee los códigos QR:
- Conecte su dispositivo Pulsar a un dispositivo móvil (teléfono inteligente o tableta).
- Inicie Stream Vision y vaya a la sección “Mis dispositivos”.
- Seleccione su dispositivo Pulsar y haga clic en “Buscar actualizaciones”.

Importante:

- si su dispositivo Pulsar está conectado al teléfono, por favor, habilite la transmisión de datos móviles (GPRS / 3G / 4G) para descargar la actualización;
- si su dispositivo Pulsar no está conectado a su teléfono, pero ya está en la sección “Mis dispositivos”, puede usar Wi-Fi para descargar la actualización.
- Espere hasta que la actualización se descargue e instale. El dispositivo Pulsar se reiniciará y estará listo para funcionar.

⚡ CONEXIÓN USB

- Conecte un extremo del cable USB (23) al conector USB Type-C (11) del dispositivo, y el otro extremo al puerto de su ordenador.
- Encienda el dispositivo pulsando el botón ON (9) (el ordenador no detecta el dispositivo apagado).
- El ordenador detectará su dispositivo automáticamente, no hace falta instalar controladores.
- Aparecerán dos modos de conexión en la pantalla:



- Usar para la alimentación.
- Usar como tarjeta de memoria.
- Usando los botones RIGHT (6) / LEFT (8) seleccione la opción de conexión.
- Pulse brevemente el botón MENU (7) para confirmar la elección.

USAR PARA LA ALIMENTACIÓN.

- En este modo el dispositivo utiliza el ordenador como una fuente externa de alimentación. En la barra de estado aparece el pictograma . El dispositivo sigue funcionando, todas las funciones están disponibles.
- La pila recargable instalada en el dispositivo no se carga.
- Cuando el dispositivo se desconecta de USB en modo “Alimentación”, el dispositivo sigue funcionando de la pila recargable si ella está suficientemente cargada.

USAR COMO TARJETA DE MEMORIA.

- En este modo el ordenador detecta el dispositivo como tarjeta Flash. Este modo está destinado para trabajar con los archivos guardados en la memoria del dispositivo, en tal caso las funciones del dispositivo no están disponibles, el dispositivo se apaga.
- Si se estaba ejecutando una grabación de vídeo cuando se efectuó la conexión, la grabación se detiene y el vídeo se guarda.
- Cuando el dispositivo se desconecta de USB en modo “Tarjeta de memoria”, el dispositivo sigue apagado. Presione el botón ON (9) para encender el dispositivo para continuar trabajando.

⚡ INSPECCIÓN TÉCNICA

Se recomienda realizar la inspección técnica antes de cada uso del dispositivo. Compruebe:

- El exterior del dispositivo (no debe haber grietas en el cuerpo).
- El estado de las lentes del objetivo y del ocular del módulo de imagen térmica (no debe haber grietas, manchas de grasa, polvo y otros sedimentos).
- El estado de la pila recargable (debería estar cargada) y los contactos eléctricos (no debe haber sales ni oxidación).
- El funcionamiento correcto de los controles.
- Fijación correcta y segura del visor acoplable en el módulo de imagen térmica.

⚡ MANTENIMIENTO

El mantenimiento deberá realizarse dos veces al año como mínimo y deberá consistir en cumplimiento de las siguientes medidas:

- Limpie las superficies exteriores de las piezas metálicas y las de plástico de polvo y de barro usando un paño de algodón. Se permite la aplicación de un lubricante de silicona.
- Limpie los contactos eléctricos de la pila recargable en el dispositivo con un disolvente orgánico sin grasa.
- Compruebe las lentes del ocular y del objetivo. En caso necesario, limpie las lentes del polvo y de la arena (preferiblemente con un método sin contacto). Limpie las superficies externas de la lente con productos especialmente diseñados para estos fines.
- Siempre almacene el dispositivo solo en el estuche, en un local seco y bien ventilado. Durante un almacenamiento prolongado, obligatoriamente extraiga la pila recargable.

⚡ SOLUCIÓN DE PROBLEMAS

En la tabla está propuesta una lista de problemas que pueden surgir durante el funcionamiento del dispositivo. Realice la verificación y reparación recomendadas en el orden indicado en la tabla. Si hay defectos que no se enumeran a continuación, o si usted no puede reparar el defecto por su propia cuenta, el monocular debe ser devuelto para su reparación.

Problema	Posible causa	Medida correctora
El monocular térmico no se enciende.	La pila está totalmente descargada.	Cargue la pila.
No funciona con una fuente de alimentación externa.	El cable USB está dañado.	Reemplace el cable USB.
	La fuente de alimentación eléctrica externa está descargada.	Cargue la fuente de alimentación externa (si es necesario).
La imagen es borrosa, con rayas verticales y un fondo desigual.	Calibración requerida.	Calibre la imagen siguiendo las instrucciones de la sección "Calibración de microbolómetro".
La imagen no es de alta calidad. Hay ruidos e imágenes posteriores de escenas u objetos anteriores.	La calibración manual se realizó sin cerrar la tapa de la lente.	Compruebe qué modo de calibración está activado, cierre la tapa del objetivo y calibre el dispositivo.
La imagen es demasiado oscura.	Fue instalado un nivel bajo de luminosidad o de contraste.	Ajuste la luminosidad o el contraste.
En la pantalla aparecieron líneas de color o la imagen desapareció.	En el proceso de uso el dispositivo estaba expuesto a la electricidad estática.	Si el dispositivo ha sido expuesto a la electricidad estática, el dispositivo puede reiniciarse automáticamente o apague y vuelva a encender el dispositivo.
No hay imagen del objeto observado.	La observación se realiza a través del vidrio.	Retire el vidrio o cambie la posición de observación.
Baja calidad de imagen / Distancia de detección reducida.	Dichos problemas pueden surgir debido a complicadas condiciones meteorológicas (nieve, lluvia, niebla, etc.).	
El teléfono inteligente o la tableta no se conecta al dispositivo.	Fue cambiada la contraseña del dispositivo.	Elimine la red y vuelva a conectarse introduciendo la contraseña guardada en el dispositivo.
	El dispositivo está en una zona con una gran cantidad de redes Wi-Fi que pueden provocar interferencia.	Para garantizar un funcionamiento estable de Wi-Fi, traslade el dispositivo a una zona con menor cantidad de redes Wi-Fi o donde no las haya.
La transmisión de la señal mediante Wi-Fi falta o se interrumpe.	El teléfono inteligente o la tableta están fuera de la cobertura estable de Wi-Fi. Entre el dispositivo y el receptor de la señal hay obstáculos (paredes de hormigón, por ejemplo).	Traslade su teléfono inteligente o tableta a la línea de visión de la señal de Wi-Fi.
En condiciones de temperaturas bajas la calidad de imagen del medio ambiente es peor que en condiciones de temperaturas positivas.	En condiciones de temperaturas positivas, los objetos de observación (ambiente, fondo) se calientan de manera diferente debido a la diferente conductividad térmica, por lo que se logra un contraste alto de temperaturas, y por consiguiente la calidad de imagen formada por la cámara termográfica será mejor. A bajas temperaturas, los objetos observados (fondo), como regla general, se enfrían aproximadamente hasta la misma temperatura, por lo que el contraste de temperaturas se reduce significativamente y la calidad de la imagen (detalle) se deteriora. Es una particularidad de funcionamiento de dispositivos térmicos.	

El plazo de reparación posible del dispositivo es de cinco años.

⚡ CARATTERISTICHE TECNICHE

MODELLO	Krypton XG50
SKU	77375
Microbolometro	
Tipo	non raffreddato
Risoluzione, pixel	640x480
Dimensione pixel, micrometro	12
Frequenza cambio quadri, Hz	50
Caratteristiche ottiche	
Ingrandimento monocolare, x	5
Ingrandimento raccomandato dell'ottica diurna, x	1,5 - 6
Obiettivo	F50 / 1.2
Zoom digitale, x	-
Distanza pupillare di uscita, mm	18
Diametro della pupilla di uscita dell'oculare, mm	6
Angolo orizzontale del campo visivo, gradi / m per 100 m	8,7 / 15,4
Intervallo di messa a fuoco oculare, diottrie	+5 / -5
Distanza di rilevamento di un animale con un'altezza di 1,7 m, m	2300
Distanza minima di messa a fuoco, m	5
Display	
Tipo	AMOLED
Risoluzione, pixel	1746x1000
Caratteristiche operative	
Tensione di alimentazione, V	3 - 4,2
Tipo batteria	Li-Ion Battery Pack IPS 7
Capacità	DC 6400 mAh
Tensione d'uscita nominale	DC 3,7 V
Alimentazione esterna	5 V (USB)
Tempo massimo di funzionamento da un set di batterie (a t=22 °C), ora*	8
Intervallo operativo di temperatura, °C	-25 ... +50
Dimensioni di ingombro, mm	260x93x76
Peso (senza batteria e monocolare), kg	0,47
Videoregistratore	
Risoluzione foto/ video, pixel	960x720
Formato videoregistrazione/ foto	.mp4 / .jpg
Capacità della memoria interna	16 GB
Canale Wi-Fi	
Frequenza	2,4 GHz
Standard	802.11 b/g
Portata di ricezione ottica, m**	fino a 15

* La durata effettiva della batteria varia in base all'uso del Wi-Fi e del videoregistratore integrato.

** La distanza della ricezione può variare in base a vari fattori: presenza di ostacoli, altre reti Wi-Fi.

⚡ CONTENUTO DELLA CONFEZIONE

- Visore termico
- Monocolare Pulsar 5x30 B
- Fodero
- Batteria ricaricabile IPS7
- Caricatore per batteria ricaricabile
- Caricatore di rete
- Cavo USB
- Breve manuale d'uso
- Panno per pulitura ottica
- Tagliando di garanzia

⚡ DESCRIZIONE

Il visore termico KRYPTON XG50 è progettato per vari utilizzi, tra cui osservazione durante la caccia, sorveglianza di sicurezza, fotografia e videoregistrazione di giorno e di notte. Il modulo di immagine termica incluso nel KRYPTON XG50, con l'aiuto di adattatori speciali può essere installato sugli obiettivi di vari dispositivi ottici diurni, trasformandoli in dispositivi a visione termica.

⚡ CARATTERISTICHE

- Microbolometro termico ad alta risoluzione
- Misura pixel microbolometro 12 micron
- Display AMOLED ad alta risoluzione
- Trasformazione semplice di un dispositivo ottico diurno in quello termico
- Conserva i vantaggi dell'ottica diurna in condizioni notturne
- Tre modalità di calibrazione (manuale, semi-automatica e automatica)
- Quattro modalità di osservazione: Bosco, Rocce, Identificazione, Utente
- Comodo da usare in una vasta gamma d'ingrandimento delle ottiche diurne
- Campo di rilevamento fino a 2300 m
- Avviamento istantaneo
- Funzione Display Off
- Videoregistrazione incorporata
- Aggiornamento firmware remoto
- Completamente impermeabile (classe di protezione IPX7)
- Ampio intervallo temperatura d'esercizio (-25 °C - +50°C)

VIDEO/AUDIOREGISTRAZIONE

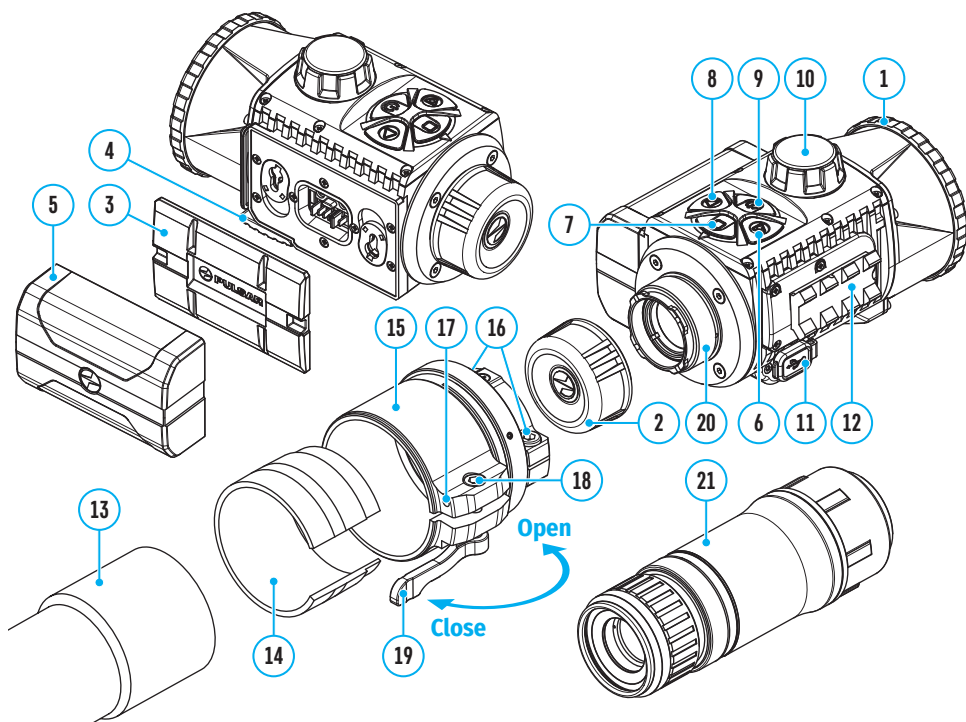
- Videoregistratore incorporato
- Integrazione con dispositivi iOS e Android
- Wi-Fi Telecomando e sistema di sorveglianza Smartphone
- YouTube Trasmissione dal vivo e registrazione diretta su internet tramite uno smartphone e l'app Stream Vision

GRUPPO BATTERIA

- Gruppo batteria agli ioni di litio IPS 7 a cambio rapido
- Opzione di ricarica USB

⚡ PARTI E CONTROLLI DEL DISPOSITIVO

1. Copriobiettivo
2. Coperchio dell'oculare
3. Coperchio del modulo batteria
4. Leva di blocco della batteria
5. Batteria ricaricabile
6. Pulsante RIGHT/REC
7. Pulsante MENU
8. Pulsante LEFT/MODE
9. Pulsante ON/Calibrazione
10. Manopola messa a fuoco della lente
11. Porta USB
12. Montaggio su guida Weaver
13. Obiettivo del dispositivo ottico
14. Inserto
15. Adattatore
16. Viti
17. Vite di bloccaggio
18. Vite
19. Leva dell'adattatore
20. Punto di attacco
21. Monoculare Pulsar 5x30 B



⚡ BUTTONS OPERATION

Pulsante di comando	Condizione/Modalità di funzionamento	1 breve pressione	Successive brevi pressioni	Pressione prolungata
ON (9) ⏻	Il dispositivo è spento	Accendere il dispositivo	Calibrare il dispositivo	Accendere il dispositivo
	Il display è spento	Accendere il display	Calibrare il dispositivo	Spegnere il dispositivo
	Il dispositivo è acceso, menu rapido, menu principale			Spegnere il display / Spegnere il dispositivo
LEFT/MODE (8) ◀	Il dispositivo è acceso	Modalità di osservazione		Selezionare latavolozza
	Menu rapido	Ridurre il parametro		
	Menu principale	Navigazione in basso, in senso antiorario		
MENU (7) □	Il dispositivo è acceso	Accedere al menu rapido		Accedere al menu principale
	Menu rapido	Navigare in alto		Uscire dal menu rapido
	Menu principale	Confermare il valore, accedere alle voci menu		Uscire dalle voci menu, dal menu principale
RIGHT/REC (6) ▶	Il dispositivo è acceso, modalità video	Inizio registrazione video	Pausa	Cambiare modalità video/foto
	Il dispositivo è acceso, modalità video, registrazione attivata	Pausa	Continuare registrazione video	Arrestare registrazione video
	Il dispositivo è acceso, modalità fotografia	Fotografia		Cambiare modalità video/foto
	Menu rapido	Aumentare parametro		
	Menu principale	Navigare in alto, in senso orario		

⚡ USO DELLA BATTERIA RICARICABILE

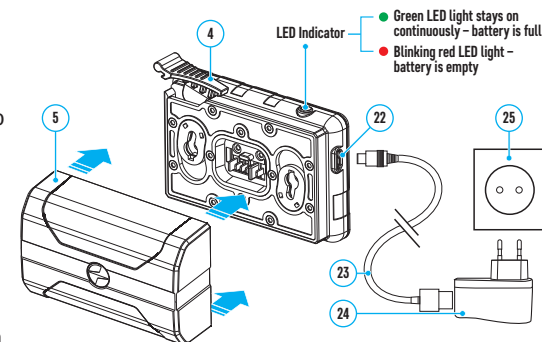
Il visore termico KRYPTON XG50 viene fornito con una batteria ricaricabile agli ioni di litio Battery Pack IPS 7, che consente di utilizzare il dispositivo per 8 ore. Caricare la batteria prima del primo utilizzo.

CARICA DELLA BATTERIA

- Sollevare la leva (4) del caricabatteria
- Rimuovere il copribatteria dalla batteria ricaricabile
- Inserire la batteria ricaricabile (5) nel caricabatterie fino in fondo, bloccare la batteria abbassando la leva (4).

Durante l'installazione sul caricabatteria si accende una spia verde e comincia a lampeggiare brevemente ad un certo intervallo:

- una volta, se la carica della batteria è compresa tra lo 0 e il 50%
 - due volte, se la carica della batteria è compresa tra il 51 e il 75%
 - tre volte, se la carica della batteria è compresa tra il 76 e il 100%.
- Se la spia è costantemente verde, la batteria è completamente carica. Scollegare il caricabatteria dalla rete,



rimuovere la batteria dal caricabatteria.

- Per caricare la batteria, collegare l'estremità microUSB del cavo USB (23) al connettore (22) del caricabatterie.
- Collegare l'altra estremità del cavo USB (23) al caricatore di rete (24).
- Collegare il caricatore di rete (24) a una presa di corrente da 100 - 240 V (25) - inizierà la ricarica della batteria.

Attenzione! Se durante l'installazione della batteria la spia del caricabatteria è costantemente rossa, è probabile che lo stato di carica sia al di sotto del valore ammesso (la batteria è scarica da molto tempo). In questo caso:

- Collegare il caricabatterie con la batteria inserita alla rete e lasciarlo caricare per un tempo più lungo (alcune ore).
- Rimuovere la batteria dal caricabatterie, dopo reinserirla nel caricabatterie.
- Se la spia lampeggia di verde, la batteria non è difettosa.
- Se la spia continua ad essere rossa - la batteria è difettosa. Non usare questa batteria!

INSTALLAZIONE DELLA BATTERIA RICARICABILE

- Abbassare la leva (4).
- Rimuovere il coperchio protettivo del modulo batteria (3).
- Togliete la batteria (5) dal caricatore.
- Installare la batteria (5) nell'apposito slot sul corpo del dispositivo in modo che l'elemento D (una sporgenza sul corpo della batteria) si trovi sul fondo.
- Sollevando la leva (4) fissare la batteria (5).

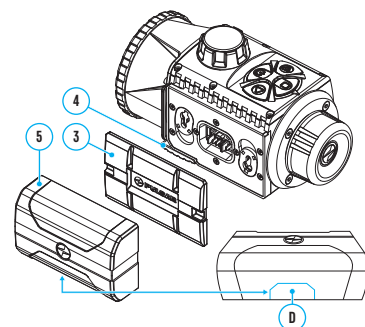
PRECAUZIONI D'USO

- Per caricare le batterie IPS, utilizzare sempre il caricabatterie IPS fornito con il dispositivo (oppure acquistarlo separatamente). L'uso di un caricabatterie non adatto può causare danni irreparabili alla batteria e incendiarla.
- Non caricare la batteria immediatamente dopo averla spostata da un ambiente freddo in quello caldo. Attendere almeno 30 minuti finché la batteria si scaldi.
- Non lasciare la batteria incustodita durante la ricarica.
- Non utilizzare il caricabatteria se la sua costruzione è stata modificata o la batteria stessa è stata danneggiata.
- Non lasciare la batteria in un caricabatteria collegato alla rete se la ricarica è stata completata.
- Non esporre la batteria alle temperature elevate o fiamma libera.
- E' vietato utilizzare la batteria come fonte di alimentazione per dispositivi che non supportano le batterie IPS 7.
- Non smontare e non deformare la batteria.
- Non sottoporre la batteria ad impatti e cadute.
- La batteria non è intesa per essere immersa nell'acqua.
- Tenere la batteria fuori dalla portata dei bambini.

Attenzione! Non utilizzare la batteria IPS 14 con il KRYPTON XG50 a causa del peso elevato della batteria.

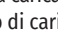
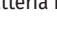
CONSIGLI D'USO

- Se non è utilizzata a lungo, la batteria deve essere parzialmente carica - dal 50 all'80 %
- La ricarica della batteria deve essere effettuata a temperatura ambiente 0 °C ... +35 °C. Altrimenti, la durata della batteria diminuirà in modo considerevole.
- Nell'usare la batteria sottozero, la capacità della batteria diminuisce, questo è normale e non rappresenta alcun difetto.
- Non utilizzare la batteria a temperature al di fuori dei parametri compresi tra -25 °C ... +50 °C ciò potrebbe ridurre la durata.
- La batteria è dotata di un sistema di protezione da cortocircuito. Tuttavia, bisogna evitare situazioni che potrebbero provocare il cortocircuito.



ALIMENTAZIONE ESTERNA

L'alimentazione esterna viene fornita da una sorgente di alimentazione esterna di tipo Power Bank (5V).

- Collegare la sorgente di alimentazione esterna al connettore microUSB (11) del visore.
- Il dispositivo funzionerà grazie all'alimentazione esterna, mentre la batteria IPS 7 verrà caricata gradualmente.
- Sul display appare il pittogramma  della batteria con la percentuale dello stato di carica.
- Se il dispositivo è alimentato dalla sorgente di alimentazione esterna, ma la batteria IPS 7 è scollegata, viene visualizzato il pittogramma .
- Quando viene scollegata la fonte di alimentazione esterna, si passa all'alimentazione dalla batteria IPS 7 senza spegnere il visore.

Attenzione! La ricarica della batteria IPS 7 dal Power Bank a temperature inferiori a 0° C può ridurre la durata della batteria. Quando si utilizza l'alimentazione esterna, Power Bank deve essere collegato al visore acceso e ha funzionato per diversi minuti.

FUNZIONAMENTO

AVVERTENZA! Non puntare la lente dell'obiettivo dell'unità verso fonti di luce intensa, quali i dispositivi che emettono radiazioni laser o il sole, per non rischiare di compromettere la funzionalità dei componenti elettronici. La garanzia non copre eventuali danni causati da un uso improprio.

INSTALLAZIONE DEL MODULO DI IMAGING TERMICO SU UN DISPOSITIVO OTTICO

- Rimuovere il coperchio dell'oculare (2).
- Scegliere l'adattatore (15) (si acquista separatamente) con un inserto (14) del diametro richiesto in base al diametro esterno del dispositivo ottico (13) (cfr. la tabella). L'indicazione 42 mm / 50 mm / 56 mm nel nome dell'adattatore sta per il diametro luminoso della lente del dispositivo ottico.

Guida alla selezione degli inserti dei dispositivi ottici

Modello dell'adattatore	Corrispondenza del diametro interno dell'inserto al diametro esterno del corpo dell'obiettivo del dispositivo ottico diurno	
	Il diametro interno dell'inserto, mm	Il diametro esterno dell'obiettivo del dispositivo ottico diurno, mm
Adattatore PSP 42 mm	45.5	45.5
	46	46
	46.5	46.5
	47	46.7-47.6
	48	47.7- 48.6
	49	48.7-49.6
	50	49.7-50.6
Adattatore PSP 50 mm	51.6	51.6
	53.4	53.4
	55	54.7-55.6
	56	55.7-56.6
	57	56.7-57.6
	58	57.7-58.6
	59	58.7-59.6

Modello dell'adattatore	Corrispondenza del diametro interno dell'inserto al diametro esterno del corpo dell'obiettivo del dispositivo ottico diurno	
	Il diametro interno dell'inserto, mm	Il diametro esterno dell'obiettivo del dispositivo ottico diurno, mm
Adattatore PSP 56 mm	60	59.7-60.6
	61	60.7-61.6
	62	61.7-62.6
	63	62.7-63.6
	64	63.7-64.6
	65	64.7-65.6

- Avvitare l'adattatore (15) sul modulo di immagine termica lungo le filettature del punto di attacco (20). La posizione raccomandata della leva (19) è a destra (cfr. la figura).
- Un poco per volta, serrare le viti (16) fino a quando il giunto sferico nell'adattatore (15) è stretto.
- Installare fino in fondo l'inserto (14) nell'adattatore (15).
- Prima di installare l'adattatore (15) sul dispositivo ottico, si consiglia di sgrassare il corpo dell'obiettivo del dispositivo ottico (13).
- Installare fino in fondo l'adattatore con l'inserto sull'obiettivo del dispositivo ottico (13).
- Spostare la leva (19) dalla posizione iniziale «aperto» (OPEN) alla posizione «chiuso» (CLOSE).
- Controllare che l'adattatore aderisca perfettamente all'obiettivo.
- Se l'adattatore con il modulo di immagine termica si muove rispetto all'obiettivo del dispositivo ottico (13), procedere come segue:
 - Allentare la vite di bloccaggio (17) con una chiave a brugola (S = 2 mm).
 - Stringere la vite (18) con una chiave a brugola (S = 4 mm). La forza di serraggio deve garantire il corretto serraggio della leva (19), mentre l'adattatore con il modulo di immagine termica non deve muoversi rispetto al corpo del dispositivo ottico (13). Se necessario, serrare o allentare la vite (18) fino a raggiungere il funzionamento ottimale della leva (19).
 - Stringere fino in fondo la vite di bloccaggio (17).
- Accendere il modulo di immagine termica premendo brevemente il pulsante ON (9).
- Inclinando il modulo di imaging termico, allineare sul display il centro dell'immagine con il centro dell'immagine del dispositivo ottico.
- Ruotando il modulo di immagine termica in senso orario o antiorario, allineare i bordi superiore e inferiore del display parallelamente all'orizzontale del dispositivo ottico.
- Dopo aver posizionato correttamente il modulo di immagine termica, serrare le due viti (16) un poco per volta. La forza di serraggio non deve superare 7 N·m (può essere controllata con un cacciavite dinamometrico).

INSTALLAZIONE DEL MONOCULARE SUL MODULO DI IMAGING TERMICO

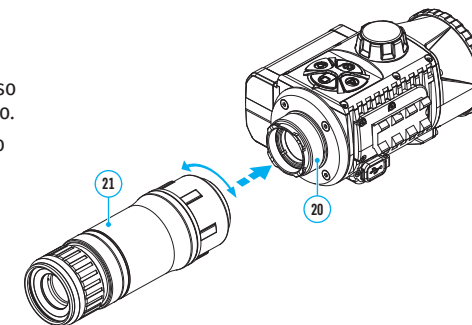
- Il monocolare Pulsar 5x30 B (21) consente di trasformare un modulo di imaging termico in un dispositivo di imaging termico di osservazione con un ingrandimento di 5 volte.
- Allineare le linguette sul monocolare con le fessure del supporto (20).

- Ruotare il monocolare in senso orario per fissarlo sul modulo di imaging termico.
- Per rimuovere il monocolare, bisogna ruotarlo in senso antiorario e scollegarlo dal modulo di imaging termico.

Nota: il monocolare può essere installato su un modulo di imaging termico con un adattatore già installato.

ATTIVARE E REGOLARE L'IMMAGINE

- Rimuovere il copriobiettivo (1), ruotandolo in senso antiorario.
- Premere il pulsante ON (9) per accendere il visore termico.
- Regolare la nitidezza dell'immagine dei simboli sul display ruotando l'anello di regolazione diottrica dell'oculare del vostro dispositivo ottico. In seguito, indipendentemente dalla distanza e dalle altre condizioni, non sarà più necessario ruotare l'anello di regolazione diottrica dell'oculare.
- Per mettere a fuoco l'oggetto di osservazione, ruotare la manopola di messa a fuoco della lente (10).
- Accedere al menu principale premendo a lungo il pulsante MENU (7) e selezionare la modalità di calibrazione desiderata - manuale (M), semiautomatica (SA) o automatica (A).
- Calibrare l'immagine premendo brevemente il pulsante ON (9). Chiudere il copriobiettivo prima della calibrazione manuale.
- Selezionare la modalità di osservazione desiderata («Foresta», «Rocce», «Identificazione», «Utente») premendo brevemente il pulsante MODE (8) o dal menu principale. La modalità utente consente di configurare e salvare le impostazioni personalizzate di luminosità e contrasto dal menu rapido del dispositivo.
- Premere a lungo il pulsante MODE (8) per selezionare una delle due tavolozze dei colori.
- Attivare il menu rapido premendo brevemente il pulsante MENU (7) per regolare la luminosità e il contrasto del display (per i dettagli, cfr. la sezione «Funzioni del menu di accesso rapido» del manuale).
- Al termine dell'uso, spegnere il dispositivo premendo a lungo il pulsante ON (9).



⚡ CALIBRAZIONE DEL MICROBOLOMETRO

La calibrazione consente di allineare lo sfondo termico del microbolometro ed eliminare le imperfezioni dell'immagine (come strisce verticali, immagini fantasma, ecc.). Ci sono tre modalità di calibrazione: manuale (M), semiautomatica (SA) e automatica (A). Selezionare la modalità desiderata nella voce «Calibration mode» (Modalità di calibrazione) ⇄.

Modalità M (manuale).

- Chiudere il copriobiettivo, premere brevemente il pulsante ON (9).
- Al termine della calibrazione, aprire il coperchio.

Modalità SA (semiautomatica).

- La calibrazione si attiva premendo brevemente il pulsante ON (9).
- Non è necessario chiudere il copriobiettivo (il microbolometro è chiuso da un otturatore interno).

Modalità A (automatica).

- Il visore viene calibrato in modo autonomo, secondo l'algoritmo del software.
- Non è necessario chiudere il copriobiettivo (il microbolometro è chiuso da un otturatore interno).
- Grazie a questa modalità, l'utente può calibrare il visore usando il pulsante ON (9).

⚡ IMAGE DETAIL BOOST

La funzione «Image Detail boost» ▾ aumenta la nitidezza dei contorni degli oggetti riscaldati, il che migliora la visione dei loro dettagli. Il funzionamento della modalità dipende dalla modalità selezionata e dalle condizioni di osservazione: maggiore è il contrasto degli oggetti, più evidente l'effetto. Questa funzione è abilitata per un'impostazione predefinita, ma può essere disattivata nel menu principale.

⚡ FUNZIONI DEL MENU DI ACCESSO RAPIDO

- Accedere al menu di accesso rapido premendo brevemente il pulsante MENU (7).
- Per navigare tra le funzioni descritte sotto, premere brevemente il pulsante MENU (7).

Luminosità ☀️ - premere i pulsanti RIGHT (6)/ LEFT (8), per modificare il valore della luminosità del display da 0 a 20.

Contrasto 🗨️ - premere i pulsanti RIGHT (6)/ LEFT (8), per modificare il valore del contrasto dell'immagine da 0 a 20.

Modalità base 🏔️ 🌲 👁️ - consente di selezionare una delle tre modalità come base per la modalità utente.

- Per uscire dal menu, tenere premuto il pulsante MENU (7) oppure attendere 10 secondi per uscire automaticamente.

⚡ FUNZIONI DEL MENU PRINCIPALE

- Accedere al menu principale tenendo premuto il pulsante MENU (7).
- Per spostarsi tra le voci del menu principale, usare i pulsanti RIGHT (6)/ LEFT (8).
- Per accedere alla sottovoce del menu principale, premere brevemente il pulsante MENU (7).
- Per uscire dalla sottovoce del menu principale, premere e tenere premuto il pulsante MENU (7).

L'uscita automatica dal menu principale avviene dopo 10 secondi di inattività.



VISTA D'INSIEME DEL MENU

Mode	Selezione della modalità di osservazione.
(Modalità)	Il dispositivo possiede quattro modalità di osservazione: «Forest» (Foresta) (modalità di osservazione degli oggetti in condizioni di contrasto a bassa temperatura), «Rocks» (Rocce) (modalità di osservazione degli oggetti in condizioni di contrasto a temperatura elevata), «Identification» (Identificazione) (modalità dettagli elevati), «User» (Utente) (impostazione personale di luminosità e contrasto).
🗨️	Opzione 1:
	• Premere brevemente il pulsante MODE (8) per passare alla modalità di osservazione.
	Opzione 2:
	• Tenere premuto il pulsante MENU (7) per accedere al menu.
	• Utilizzare i pulsanti RIGHT (6) / LEFT (8) per selezionare la sezione «Mode» (Modalità).
	• Premere brevemente il pulsante MENU (7) per accedere al menu.
	• Premere i pulsanti RIGHT (6) / LEFT (8) per selezionare una delle modalità sotto elencate.
	• Premere brevemente il pulsante MENU (7) per confermare la selezione.
🏔️	Modalità «Rocks» (Rocce). Ideale per osservare gli oggetti dopo una giornata di sole o in ambienti urbani.
🌲	Modalità «Forest» (Foresta). Ideale per la ricerca e l'osservazione sul campo, su uno sfondo di foglie, arbusti ed erba. La modalità permette un alto livello di informazioni sia sull'oggetto osservato sia sui dettagli del paesaggio.
👁️	Modalità «Identification» (Identificazione). Ottimale per riconoscere oggetti osservati in condizioni avverse (nebbia, foschia, pioggia, neve). Permette di identificare meglio le caratteristiche degli oggetti osservati. Aumentando la visibilità dei dettagli può causare una piccola granulosità dell'immagine.
🗨️	Modalità «User» (Utente). Consente di configurare e salvare le impostazioni di luminosità e contrasto fatte dall'utente, nonché una delle tre modalità di base.

Image Detail Boost	Abilitare/disabilitare la funzione «Image Detail Boost».
▽	<ul style="list-style-type: none"> • Tenere premuto il pulsante MENU (7) per accedere al menu principale. • Premere i pulsanti RIGHT (6) / LEFT (8) per selezionare «Image Detail Boost». • Accedere al sottomenu premendo brevemente il pulsante MENU (7). • Per abilitare/disabilitare la funzione utilizzare i pulsanti RIGHT (6) / LEFT (8). • Confermare la scelta premendo brevemente il pulsante MENU (7).
Wi-Fi settings (Impostazione Wi-Fi)	Questa voce consente di impostare il dispositivo per il funzionamento con la rete Wi-Fi.
📶	<ul style="list-style-type: none"> • Tenere premuto il pulsante MENU (7) per accedere al menu principale. • Con i pulsanti RIGHT (6) / LEFT (8) selezionare «Impostazione Wi-Fi settings» (Impostazione Wi-Fi). • Premere brevemente il pulsante MENU (7) per accedere al menu.
Wi-Fi activation (Attivazione Wi-Fi)	Attivare / disattivare Wi-Fi.
📶	<ul style="list-style-type: none"> • Con i pulsanti RIGHT (6) / LEFT (8) selezionare la voce «Wi-Fi activation» (Attivazione Wi-Fi). • Accedere al sottomenu premendo brevemente il pulsante MENU (7). • Per abilitare/disabilitare il Wi-Fi utilizzare i pulsanti RIGHT (6) / LEFT (8). • Confermare la scelta premendo brevemente il pulsante MENU (7).
Password setup (Impostazione della password)	Questa voce consente di impostare la password di accesso al dispositivo da un dispositivo esterno. La password viene utilizzata quando un dispositivo esterno (ad esempio, uno smartphone) si collega al dispositivo.
🔒	<ul style="list-style-type: none"> • Con i pulsanti RIGHT (6) / LEFT (8) selezionare «Password setup (Impostazione della password)». • Premere il pulsante MENU (7) per accedere al sottomenu. • Sul display appare una password – quella predefinita è «12345678». • Usare i pulsanti RIGHT (6) / LEFT (8) per impostare la password desiderata. Per spostarsi tra i valori, premere il pulsante MENU (7). • Per salvare la password e uscire dal sottomenu tenere premuto il pulsante MENU (7).
Access level setup (Impostazione dei livelli d'accesso)	Questa sottovoce consente di impostare il necessario livello d'accesso al proprio dispositivo, che riceve l'applicazione Stream Vision.
🔑	<ul style="list-style-type: none"> • Livello «Owner» (Amministratore). L'utente di Stream Vision ha il pieno accesso a tutte le funzioni del dispositivo. • Livello «Guest» (Ospite). L'utente di Stream Vision ha la possibilità di visionare solo i video dal dispositivo in tempo reale. • Con i pulsanti RIGHT (6) / LEFT (8) selezionare «Access level setup» (Impostazione dei livelli d'accesso). • Premere il pulsante MENU (7) per accedere al sottomenu. • Utilizzare i pulsanti RIGHT (6) / LEFT (8) per selezionare «Owner» o «Guest». • Confermare la scelta premendo brevemente il pulsante MENU (7).
General Settings (Impostazioni generali)	Questa sezione del menu consente di modificare la lingua dell'interfaccia, impostare la data, l'ora, le unità di misura, tornare alle impostazioni di fabbrica e anche formattare la scheda di memoria.
⚙️	<ul style="list-style-type: none"> • Tenere premuto il pulsante MENU (7) per accedere al menu. • Utilizzare i pulsanti RIGHT (6) / LEFT (8) per selezionare «General settings» (Impostazioni generali). • Premere brevemente il pulsante MENU (7) per accedere al menu. • Scegliere l'opzione di menu richiesta con i pulsanti RIGHT (6) / LEFT (8).

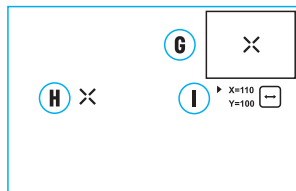
Language (Lingua) ⊕	<p>Selezione della lingua.</p> <ul style="list-style-type: none"> • Accedere al sottomenu «Language» (Lingua) premendo brevemente il pulsante MENU (7). • Con i pulsanti RIGHT (6) / LEFT (8) selezionare una delle lingue dell'interfaccia disponibili: inglese, francese, tedesco, spagnolo, russo. • Confermare la scelta premendo brevemente il pulsante MENU (7).
Date (Data) 📅	<p>Impostazione della data.</p> <ul style="list-style-type: none"> • Accedere al sottomenu «Date» (Data) premendo brevemente il pulsante MENU (7). La data viene visualizzata in formato gg/mm/aaaa. • Con i pulsanti RIGHT (6) / LEFT (8) selezionare l'anno, il mese e la data desiderati. Per navigare tra i valori, premere brevemente il pulsante MENU (7). • Per salvare la data selezionata e uscire dal sottomenu, tenere premuto il pulsante MENU (7).
Time (Ora) ⌚	<p>Impostazione dell'ora</p> <ul style="list-style-type: none"> • Accedere al sottomenu «Time» (Ora) premendo brevemente il pulsante MENU (7). • Premere i pulsanti RIGHT (6) / LEFT (8) per selezionare il formato dell'ora – 24 oppure PM/AM. • Per passare all'impostazione dell'ora, premere il pulsante MENU (7). • Premere i pulsanti RIGHT (6) / LEFT (8) per selezionare il valore dell'ora. • Per passare all'impostazione dei minuti, premere il pulsante MENU (7). • Premere i pulsanti RIGHT (6) / LEFT (8) per selezionare il valore dei minuti. • Per salvare l'ora selezionata e uscire dal sottomenu, tenere premuto il pulsante MENU (7).
Default Settings (Impostazioni predefinite) ↩	<p>Ripristina le impostazioni di fabbrica.</p> <ul style="list-style-type: none"> • Accedere al sottomenu «Default settings» (Impostazioni predefinite) premendo brevemente il pulsante MENU (7). • Usare i pulsanti RIGHT (6) / LEFT (8) per selezionare «Yes» (Sì) per tornare alle impostazioni di fabbrica o «No» per annullare l'azione • Confermare la scelta premendo brevemente il pulsante MENU (7). • Se si seleziona l'opzione «Yes» (Sì), sul display appariranno i messaggi «Do you want to restore default settings?» (Ritornare alle impostazioni predefinite?) e le opzioni «Yes» (Sì) e «No». Selezionare «Yes» (Sì) per formattare la scheda di memoria. • Se si seleziona l'opzione «No», la formattazione viene rifiutata e si torna nel sottomenu. <p>Le impostazioni seguenti verranno riportate al loro stato originale, quello precedente alle modifiche dell'utente:</p> <ul style="list-style-type: none"> – Modalità operativa videoregistratore - video – Modalità di osservazione – «Forest» (Foresta) – Modalità di calibrazione - automatica – Lingua – inglese – Wi-Fi - disattivato (password predefinita) – Tavolozza dei colori – White Hot (Bianco caldo). <p>Attenzione: quando si ritorna alle impostazioni di fabbrica, vengono salvati la data, l'ora, la mappa pixel dell'utente.</p>
Format (Formattazione) 🗑️	<p>Questa voce consente di formattare la chiavetta USB (scheda di memoria) del dispositivo (di conseguenza avverrà un'eliminazione di tutti i file dalla scheda di memoria).</p> <ul style="list-style-type: none"> • Accedere al sottomenu «Format» (Formattazione) premendo brevemente il pulsante MENU (7). • Con i pulsanti RIGHT (6) / LEFT (8) selezionare l'opzione «Yes» (Sì) per formattare la scheda di memoria oppure «No» per ritornare al sottomenu. • Confermare la scelta premendo il pulsante MENU (7). • Se si seleziona l'opzione «Yes» (Sì), sul display viene visualizzato il messaggio «Do you want to format memory?» (Vuoi formattare la scheda di memoria?) e come opzioni «Yes» (Sì) e «No». Selezionare «Yes» (Sì) per formattare la scheda di memoria. • Se si seleziona l'opzione «No», la formattazione viene rifiutata e si torna nel sottomenu.

Auto shutdown (Spegnimento automatico) ⏻	<p>Questa voce consente di attivare la funzione di spegnimento automatico del visore, quando si trova nello stato non operativo (inclinazione verso l'alto o verso il basso con un angolo superiore ai 70°, e a destra o a sinistra con un angolo superiore ai 30°).</p> <ul style="list-style-type: none"> • Tenere premuto il pulsante MENU (7) per accedere al menu principale. • Utilizzare i pulsanti RIGHT (6) / LEFT (8) per selezionare «Auto shutdown» (Spegnimento automatico). • Premere brevemente il pulsante MENU (7) per accedere al sottomenu. • Usare i pulsanti RIGHT (6) / LEFT (8) per selezionare l'intervallo di tempo trascorso il quale il dispositivo che è nello stato non operativo si spegne automaticamente (1 min, 3 min, 5 min), oppure selezionare l'opzione «Off» se si desidera disattivare la funzione dello spegnimento automatico del dispositivo. • Confermare la scelta premendo brevemente il pulsante MENU (7). <p>Nota: se la modalità di spegnimento automatico del visore è attivata, nella barra di stato viene visualizzato il pittogramma ed il tempo di spegnimento selezionato nel formato «⏻ 1 min».</p>
Device Information (Informazioni sul prodotto) Ⓜ	<p>Questa voce consente all'utente di visualizzare le seguenti informazioni sul dispositivo:</p> <ul style="list-style-type: none"> – Numero SKU del dispositivo – Versione firmware del dispositivo – Il nome completo del dispositivo – La versione di montaggio del dispositivo – Il numero di serie del dispositivo – Le informazioni di servizio <p>Per visualizzare le informazioni:</p> <ul style="list-style-type: none"> • Tenere premuto il pulsante MENU (7) per accedere al menu principale. • Utilizzare i pulsanti RIGHT (6) / LEFT (8) per selezionare «Device information» (Informazioni sul prodotto) Ⓜ. • Premere brevemente il pulsante MENU (7) per confermare la selezione.
Defective Pixel Repair (Riparazione dei pixel «rotti») 🔧	<p>Durante il funzionamento del dispositivo sul microbolometro può accadere la comparsa di pixel difettosi (cosiddetti «rotti»), ovvero di punti chiari o scuri con luminosità costante e visibili sull'immagine.</p> <ul style="list-style-type: none"> • I visori termici KRYPTON XG50 permettono di eliminare i pixel difettosi sul microbolometro con l'utilizzo di appositi programmi, nonché di annullare l'eliminazione. • Tenere premuto il pulsante MENU (7) per accedere al menu principale. • Utilizzare i pulsanti RIGHT (6) / LEFT (8) per selezionare la voce di menu «Defective pixel repair» (Riparazione dei pixel rotti) 🔧. • Premendo il pulsante MENU (7) accedere alla sezione menu.

Defective Pixel Repair • Selezionare la voce di menu «Defective pixel repair» (Riparazione dei pixel rotti) premendo brevemente il pulsante MENU (7).

(Riparazione dei pixel «rotti») • Sul lato sinistro del display apparirà un marcatore <<(H)>>

☒ • Sul lato destro del display apparirà una «lente d'ingrandimento» (G) - un rettangolo con un marcatore ingrandito per una corretta selezione del pixel - e della coordinata (I) del marcatore sotto la «lente d'ingrandimento».



• Premendo brevemente i pulsanti RIGHT (6) / LEFT (8), allineare il pixel difettoso con il centro del marcatore ingrandito dentro «la lente d'ingrandimento» - il pixel deve scomparire. Per cambiare la direzione del movimento del marcatore da orizzontale a quello verticale e viceversa, premere brevemente il pulsante MENU (7).

• Cancellare il pixel difettoso premendo il pulsante ON (9).

• Se la rimozione è completata con successo, nella cornice verrà visualizzato un breve messaggio «OK».

• In seguito, muovendo il marcatore sul display, è possibile eliminare il pixel difettoso successivo.

• Per uscire dalla funzione «Riparazione dei pixel rotti» tenere premuto il pulsante MENU (7).

Restore Default Pixel Map Il ripristino di tutti i pixel difettosi precedentemente rimossi dall'utente allo stato originale:

(Ripristino della mappa dei pixel di fabbrica) • Con i pulsanti RIGHT (6) / LEFT (8) selezionare «Restore default pixel map» (Ripristino della mappa dei pixel di fabbrica) .

☒ • Abilitare la funzione premendo brevemente il pulsante MENU (7).

• Con i pulsanti RIGHT (6) / LEFT (8) selezionare l'opzione «Yes» (Sì) se si desidera tornare alla mappa dei pixel di fabbrica oppure «No» se non lo si desidera.

• Confermare la scelta premendo brevemente il pulsante MENU (7).

Attenzione! Sul display del visore termico sono ammessi 1-2 pixel sotto forma di punti bianchi luminosi, scuri o a colori (blu, rosso, verde), i quali non si eliminano, questo non rappresenta un difetto.

Microphone Microfono acceso/spento.

(Microfono) Questa voce consente di abilitare (o disabilitare) il microfono per la registrazione dell'audio durante la videoregistrazione.

☒ • Tenere premuto il pulsante MENU (7) per accedere al menu principale.

• Usare i pulsanti RIGHT (6) / LEFT (8) per selezionare la voce di menu «Microphone» (Microfono) ☒.

• Accedere al sottomenu premendo brevemente il pulsante MENU (7).

• Per abilitare/disabilitare la funzione utilizzare i pulsanti RIGHT (6) / LEFT (8).

• Confermare la scelta premendo brevemente il pulsante MENU (7).

Icon Brightness Regolare luminosità dei pittogrammi.

(Luminosità pittogrammi) • Tenere premuto il pulsante MENU (7) per accedere al menu.

☒ • Con i pulsanti RIGHT (6) / LEFT (8) selezionare «Icon brightness» (Luminosità pittogrammi) ☒.

• Premere brevemente il pulsante MENU (7) per accedere al menu.

• Premere i pulsanti RIGHT (6) / LEFT (8) per selezionare il livello di luminosità dei pittogrammi da 0 a 10.

• Premere brevemente il pulsante MENU (7) per confermare la selezione.

Calibration Mode Selezionare la modalità di calibrazione del microbolometro.

☒ • Ci sono tre modalità di calibrazione - manuale, semiautomatica e automatica.

☒ • Tenere premuto il pulsante MENU (7) per accedere al menu.

☒ • Utilizzare i pulsanti RIGHT (6) / LEFT (8) per selezionare la sezione «Calibration mode» (Modalità di calibrazione) ☒.

☒ • Premere brevemente il pulsante MENU (7) per accedere al menu.

☒ • Utilizzare i pulsanti RIGHT (6) / LEFT (8) per selezionare una delle modalità di calibrazione qui sotto elencate.

☒ • Premere brevemente il pulsante MENU (7) per confermare la selezione.

Automatic (Automatico). In modalità automatica, la necessaria calibrazione avviene in modo programmato, il processo di calibrazione si avvia automaticamente.

Semi-automatic (Semiautomatico). L'utente da solo (in base allo stato dell'immagine osservata) determina la necessità di calibrazione.

Manual (Manuale). Calibrazione manuale. Prima di iniziare la calibrazione chiudere il copriobiettivo.

⚡ BARRA DI STATO



La barra di stato si trova in basso sul display e riporta le informazioni sullo stato del funzionamento del dispositivo, tra cui:

• Tavolozza dei colori (visualizzata solo quando è installata la tavolozza dei colori «Black Hot» (Nero caldo)).

• Modalità di osservazione

• Modalità di calibrazione (in modalità di calibrazione automatica, quando mancano 3 secondi per la calibrazione automatica, al posto del pittogramma di calibrazione viene visualizzato il timer con il conto alla rovescia).

• Microfono

• Connessione Wi-Fi

• Funzione di «Spegnimento automatico» (ad esempio 1 min)

• Ora corrente

• Indicazione di alimentazione:

☒ - livello di carica, se il dispositivo è alimentato da una batteria ricaricabile

☒ - livello di carica, se il dispositivo è alimentato da una batteria ricaricabile e sta in carica

☒ - batteria assente il dispositivo è collegato a una fonte di alimentazione esterna.

⚡ VIDEOREGISTRAZIONE E FOTOGRAFIA DELL'IMMAGINE OSSERVATA

I visori termici KRYPTON XG50 sono dotati della funzione di registrazione video (fotografia) di un'immagine osservata sulla scheda di memoria incorporata. Prima di utilizzare le funzioni di videoregistrazione e fotografia, si consiglia di impostare la data e l'ora (cfr. le voci corrispondenti del menu).


Il dispositivo di registrazione incorporato funziona in due modalità:

MODALITÀ VIDEO. VIDEOREGISTRAZIONE DELL'IMMAGINE ☒

• Appena acceso, il dispositivo è in modalità VIDEO.

• In alto a sinistra viene visualizzato il pittogramma ☒ e il tempo rimanente per la registrazione (nel formato hh : mm), ad esempio 5:12.

• Premere brevemente il pulsante RIGHT/REC (6) per avviare la videoregistrazione.

- Iniziativa la registrazione del video, il pittogramma  scompare, al suo posto appare il pittogramma REC e il timer della videoregistrazione nel formato MM:SS (minuti : secondi). ●REC | 00:25
- Per mettere in pausa o ricominciare la registrazione del video, premere brevemente il pulsante RIGHT/REC (6).
- Per fermare la videoregistrazione, tenere premuto il pulsante RIGHT/REC (6).
- I file video vengono salvati sulla scheda di memoria incorporata dopo che la videoregistrazione è stata disattivata.
- Per navigare tra le modalità (VIDEO-> FOTOGRAFIA-> VIDEO ...) tenere premuto il tasto RIGHT/REC (6).

MODALITÀ FOTOGRAFIA. FOTOGRAFIA DI UN'IMMAGINE

- Accedere alla modalità FOTOGRAFIA tenendo premuto il pulsante RIGHT/REC (6).
- Premere brevemente il pulsante RIGHT/REC (6) per scattare una foto. L'immagine si ferma per 0,5 sec - Il file con la foto viene salvato sulla scheda di memoria incorporata.





Note: Durante la videoregistrazione, è possibile accedere e navigare nel menu del dispositivo. I video e le foto registrati vengono salvati sulla scheda di memoria incorporata del dispositivo nel formato img_xxx.jpg (per le foto); video_xxx.mp4 (per i video). xxx – contatore comune dei file a tre cifre (per foto e video). Il contatore per dare il nome ai file multimediali NON viene azzerato.

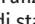

Attenzione: Durata massima di un file di un video è di 5 minuti. Scaduto questo tempo, il video viene salvato in un nuovo file. Il numero dei file è limitato dalla capacità di memoria interna del dispositivo. Monitorare regolarmente la memoria rimasta sulla scheda di memoria incorporata, trasferire i video su altri supporti, liberando lo spazio sulla scheda di memoria.

⚡ FUNZIONE WI-FI

Il dispositivo è dotato della funzione di comunicazione wireless con dispositivi esterni (computer, smartphone) tramite il Wi-Fi.

Attivare il modulo wireless nel menu principale. Il funzionamento del Wi-Fi viene visualizzato nella barra di stato come segue:

Stato della connessione	Indicazione nella barra di stato
Wi-Fi disattivato	
Nel dispositivo viene attivato il Wi-Fi	
Wi-Fi è attivato, la connessione al dispositivo è assente	
Wi-Fi è attivato, la connessione al dispositivo è completata	

- Il supporto esterno riconosce il dispositivo come «KRYPTON_XXXX», in cui XXXX sono le ultime quattro cifre del numero di serie.
- Dopo aver inserito la password sul dispositivo esterno (per maggiori informazioni sull'impostazione della password cfr. il sottomenu «Wi-Fi settings» (Impostazioni Wi-Fi) nella sezione «Funzioni del menu principale» istruzioni) e dopo aver attivato la connessione, il pittogramma  nella barra di stato del dispositivo cambia in .

⚡ FUNZIONE DISPLAY OFF (DISPLAY SPENTO)

Questa funzione disattiva la trasmissione dell'immagine sul display, riducendo al minimo la luminosità. Questo permette di prevenire lo smascheramento accidentale. Il dispositivo continua a funzionare.



Quando si utilizza questa funzione, il dispositivo va in modalità standby, il che consente di accenderlo rapidamente se è necessario.

- Quando il dispositivo è acceso, bisogna tenere premuto il pulsante ON (9) per meno di 3 secondi. Il display si

spegnerà, apparirà il messaggio «Display off».

- Per accendere il display, premere brevemente il pulsante ON (9).
- Tenendo premuto il pulsante ON (9), sul display apparirà il messaggio «Display off» con un conto alla rovescia, in seguito il dispositivo si spegnerà.

⚡ STREAM VISION

I visori termici KRYPTON XG50 supportano tecnologia Stream Vision che consente di trasmettere tramite Wi-Fi l'immagine dal visore termico al proprio smartphone o tablet in tempo reale.

Le istruzioni dettagliate sul funzionamento di Stream Vision si possono trovare nell'opuscolo allegato o sul sito www.pulsar-vision.com



ANDROID APP ON
Google play



Available on the
App Store

Nota: la costruzione del dispositivo permette di aggiornare il firmware. Aggiornamento del firmware:

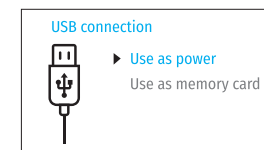
- Scaricare l'applicazione gratuita Stream Vision su Google Play o sull'App Store. Per scaricare l'applicazione, scansionare i codici QR:
- Connettere il dispositivo Pulsar a un dispositivo mobile (smartphone o tablet).
- Avviare Stream Vision e accedere alla sezione «I miei dispositivi».
- Selezionare il dispositivo Pulsar e cliccare su «Controllo aggiornamenti».

Importante:


- se il dispositivo Pulsar è collegato al telefono, si prega di attivare la trasmissione dei dati mobili (GPRS / 3G / 4G) per scaricare l'aggiornamento
- Se il vostro dispositivo Pulsar non è collegato al telefono, ma è già nella sezione «I miei dispositivi», utilizzare il Wi-Fi per scaricare l'aggiornamento.
- Attendere il download e l'installazione dell'aggiornamento. Il dispositivo Pulsar si riavvierà e sarà pronto per il funzionamento.

⚡ CONNESSIONE USB

- Collegare un'estremità del cavo USB (23) al connettore USB Type-C (11) del dispositivo, l'altro alla porta del proprio computer.
- Accendere il dispositivo premendo il pulsante ON (9) (il dispositivo spento non viene rilevato dal computer).
- Il dispositivo verrà rilevato dal computer automaticamente, non è richiesta l'installazione dei driver.
- Il display mostrerà due opzioni di connessione:
 - Use as power (Usare come alimentazione).
 - Use as memory card (Usare come scheda di memoria).
- Usare i pulsanti RIGHT/REC (6) per selezionare l'opzione di connessione.
- Premere brevemente il pulsante MENU (7) per confermare la selezione.



USE AS POWER (USARE COME ALIMENTAZIONE)

- Quando si sceglie questa opzione, il computer viene utilizzato dal dispositivo come alimentatore esterno. Nella barra di stato appare il pittogramma . Il dispositivo continua a funzionare, tutte le funzioni sono disponibili.
- La carica della batteria installata nel dispositivo non viene eseguita.
- Quando l'USB viene disconnesso dal dispositivo collegato in modalità «Use as power», il dispositivo continua a funzionare dalla batteria ricaricabile, se tale è presente, e se è sufficientemente caricata.

USE AS MEMORY CARD (USARE COME SCHEDA DI MEMORIA)

- Quando si sceglie questa opzione, il dispositivo viene riconosciuto dal computer come chiavetta USB. Questa opzione è destinata per lavorare con i file salvati nella memoria del dispositivo, in questo caso le funzioni del dispositivo non sono disponibili, il dispositivo si spegne.
- Se il video viene registrato al momento della connessione, la registrazione si arresta e viene salvata.
- Quando l'USB viene disconnessa dal dispositivo collegato in modalità «Memory card», il dispositivo rimane spento. Premere il pulsante ON (9) per accendere il dispositivo per un ulteriore funzionamento.

⚡ ISPEZIONE TECNICA

È consigliato eseguire l'ispezione tecnica prima di ogni utilizzo del dispositivo. Verificare:

- Condizione del dispositivo (non sono ammesse delle fessure sul corpo).
- Lo stato delle lenti dell'obiettivo e dell'oculare del modulo di visione termica (non devono essere presenti spaccature, macchie unte, sporco e altri depositi).
- Lo stato della batteria ricaricabile (deve essere caricata) e contatti elettrici della batteria (sali e ossidazioni non sono ammessi).
- Funzionalità comandi operativi.
- La correttezza e la sicurezza dell'attacco del modulo di visione termica sul dispositivo ottico.

⚡ MANUTENZIONE

La manutenzione va effettuata almeno due volte all'anno e comprende l'esecuzione delle operazioni seguenti:

- Usare un panno di cotone per pulire le superfici esterne delle parti in metallo e in plastica dalla polvere e sporcizia. È permesso l'uso del grasso al silicone.
- Pulire i contatti elettrici della batteria ricaricabile sul dispositivo utilizzando un solvente organico non grasso.
- Controllare le lenti dell'oculare e dell'obiettivo. Se è necessario, rimuovere polvere e sabbia dalle lenti (preferibilmente con il metodo senza contatto). Pulire le superfici esterne dell'ottica con i detergenti appositi.
- Tenere il dispositivo sempre e solo nella fodera, in un luogo asciutto e ben ventilato. Se il dispositivo è in disuso per lungo tempo, assicurarsi di rimuovere la batteria.

⚡ RISOLUZIONE PROBLEMI

La tabella riporta l'elenco degli eventuali problemi che possono insorgere durante l'utilizzo del dispositivo. Eseguire i controlli e le correzioni raccomandati secondo l'ordine riportato nella tabella. Se ci sono dei difetti non elencati nella tabella, o se è impossibile eliminare il difetto per conto proprio, il dispositivo deve essere restituito per la riparazione.

Malfunzionamento	Possibile causa	Soluzione
Il visore termico non si accende.	La batteria è completamente scaricata.	Caricare la batteria.
Non funziona dalla sorgente di alimentazione esterna.	Il cavo USB è danneggiato. L'alimentatore esterno è scaricato.	Sostituire il cavo USB. Caricare l'alimentatore esterno (se necessario).
L'immagine è sfocata, con strisce verticali e lo sfondo irregolare.	E' necessaria la calibrazione	Eseguire la calibrazione secondo le istruzioni della sezione «Calibrazione del microbolometro».

L'immagine non è di qualità. Sono presenti rumori e immagini residue di scene o oggetti precedenti.	La calibrazione manuale è stata eseguita senza chiudere il copriobiettivo.	Controllare quale modalità di calibrazione è impostata, chiudere il copriobiettivo e calibrare il dispositivo.
L'immagine è troppo scura.	Sono impostati una bassa luminosità o contrasto.	Regolare la luminosità o il contrasto.
Sul display sono apparse delle strisce colorate o l'immagine è scomparsa.	Durante il funzionamento, il dispositivo è stato esposto ad una tensione statica.	Dopo l'esposizione alla tensione statica il dispositivo può riavviarsi da solo o si deve spegnere e riaccendere il dispositivo.
E' assente l'immagine dell'oggetto osservato.	L'osservazione si effettua attraverso un vetro.	Rimuovere il vetro o cambiare la posizione di visualizzazione.
Scarsa qualità dell'immagine / Distanza di rilevamento ridotta.	Questi problemi possono verificarsi nell'osservare durante il maltempo (neve, pioggia, nebbia, ecc.).	
Lo smartphone o il tablet non si connette al dispositivo.	La password del dispositivo è stata modificata.	Eliminare la rete e riconnettersi inserendo la password registrata nel dispositivo.
	Il dispositivo si trova nella zona con un numero elevato di reti Wi-Fi che potrebbero disturbarlo.	Per assicurare il funzionamento stabile del Wi-Fi, spostare il dispositivo in un campo con un minor numero di reti Wi-Fi o in una zona in cui esse sono assenti.
La trasmissione del segnale Wi-Fi manca o si interrompe.	Lo smartphone o il tablet si trovano fuori campo della copertura del segnale Wi-Fi. Sono presenti degli ostacoli tra il dispositivo e il ricevitore del segnale (ad esempio, pareti in calcestruzzo).	Spostare lo smartphone o il tablet nel campo del segnale Wi-Fi.
Se il dispositivo si utilizza in condizioni meteorologiche a temperature basse la qualità dell'immagine dell'ambiente è peggiore rispetto all'utilizzo a temperature sopra lo zero.	In condizioni meteorologiche sopra lo zero, gli oggetti di osservazione (ambiente, sfondo) per motivi di diversa conduttività termica si riscaldano in modo diverso, per cui si ottiene un maggiore contrasto termico e, di conseguenza, la qualità dell'immagine elaborata dal visore termico sarà migliore. A temperature basse, gli oggetti osservati (sfondo), di solito, vengono raffreddati quasi alla stessa temperatura, perciò il contrasto termico viene significativamente ridotto e la qualità dell'immagine (dettaglio) peggiora. Questa è la particolarità del funzionamento dei dispositivi termici.	

Il periodo di un'eventuale riparazione del dispositivo è di 5 anni.

⚡ ТЕХНИЧЕСКИЕ ХАРАКТЕРИСТИКИ

МОДЕЛЬ	Krypton XG50
SKU	77375
Микроболометр	
Тип	неохлаждаемый
Разрешение, пикселей	640x480
Размер пикселя, мкм	12
Частота обновления кадров, Гц	50
Оптические характеристики	
Увеличение монокуляра, х	5
Рекомендованное увеличение дневной оптики, х	1,5-6
Объектив	F50/1.2
Цифровой зум, крат	-
Удаление выходного зрачка окуляра, мм	18
Диаметр выходного зрачка окуляра, мм	6
Горизонтальный угол поля зрения, град / м на 100 м	8,7/15,4
Диапазон фокусировки окуляра, дптр	+5/-5
Дистанция обнаружения животного ростом 1,7 м, м	2300
Минимальная дистанция фокусировки, м	5
Дисплей	
Тип	AMOLED
Разрешение, пикселей	1746x1000
Эксплуатационные характеристики	
Напряжение питания, В	3-4,2
Тип батарей	Li-Ion Battery Pack IPS 7
Емкость	6400 мА·ч
Выходное номинальное напряжение	DC 3,7 В
Внешнее питание	5 В (USB)
Макс. время работы от комплекта батарей (при t=22 °C), час*	8
Температурный диапазон эксплуатации, °C	-25 ... +50
Габаритные размеры, мм	260x93x76
Масса (без батареи и монокуляра), кг	0,52
Видеорекодер	
Разрешение фото/видео, пикселей	960x720
Формат видеозаписи/фото	.mp4 / .jpg
Объем встроенной памяти	16 ГБ
Wi-Fi канал	
Частота	2,4 ГГц
Стандарт	802.11 b/g
Дальность приема в прямой видимости, м**	до 15

* Фактическое время работы зависит от степени использования Wi-Fi и встроенного видеорекодера.

**Дальность приёма может меняться в зависимости от разных факторов: наличие препятствий, других сетей Wi-Fi.

⚡ КОМПЛЕКТ ПОСТАВКИ

- Тепловизор KRYPTON XG50
- Монокуляр Pulsar 5x30 B
- Чехол
- Аккумуляторная батарея IPS7
- Зарядное устройство к аккумуляторной батарее
- Сетевое устройство
- Кабель USB
- Краткая инструкция по эксплуатации
- Салфетка для чистки оптики
- Гарантийный талон

⚡ ОПИСАНИЕ

Тепловизор KRYPTON XG50 предназначен для различных сфер применения, включая наблюдение на охоте, охранную деятельность, дневную и ночную фото- и видеосъемку. Входящий в состав KRYPTON XG50 тепловизионный модуль при помощи специальных адаптеров может устанавливаться на объективы различных дневных оптических приборов, трансформируя их в тепловизионные.

⚡ ОСОБЕННОСТИ

- Микроболометр разрешением 640x480 пикселей
- Размер пикселей микроболометра 12 микрон
- AMOLED дисплей разрешением 960x720
- Простая трансформация дневного оптического прибора в тепловизионный
- Сохранение преимуществ дневной оптики в ночных условиях
- Три режима калибровки (ручная, полуавтоматическая, автоматическая)
- Четыре режима наблюдения («Лес», «Скалы», «Идентификация», «Пользовательский»)
- Комфортное использование в широком диапазоне увеличений дневной оптики
- Дистанция обнаружения до 2300 м
- Мгновенное включение
- Функция отключения дисплея
- Встроенная видеозапись
- Дистанционное обновление ПО
- Полная водонепроницаемость (IPX7)
- Широкий диапазон эксплуатационных температур (-25 ... +50°С)

ВИДЕО/АУДИО ЗАПИСЬ

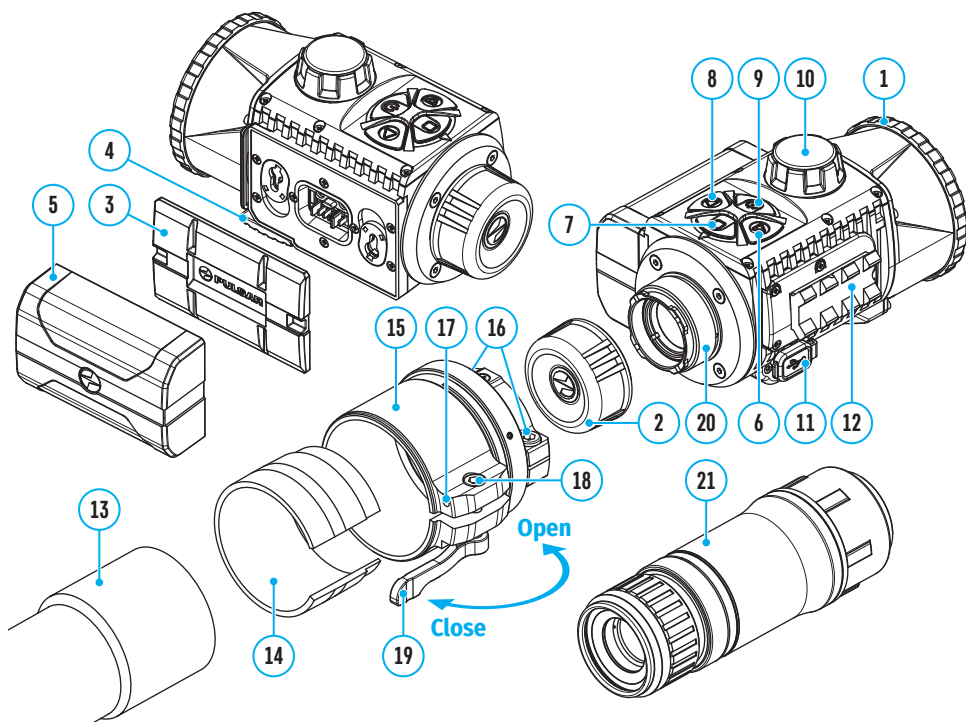
- Встроенный видеорекодер
- Интеграция с iOS и Android устройствами
- Wi-Fi. Дистанционное управление и наблюдение со смартфона
- Youtube. Прямая видеотрансляция и записи в Интернет через смартфон и с помощью приложения Stream Vision

ПИТАНИЕ

- Быстрозарядные Li-Ion блоки питания IPS 7
- Возможность зарядки от USB Power Bank

⚡ ЭЛЕМЕНТЫ ПРИБОРА И ОРГАНЫ УПРАВЛЕНИЯ

- | | |
|---------------------------------|----------------------------------|
| 1. Крышка объектива | 12. Планка Weaver |
| 2. Крышка окуляра | 13. Объектив оптического прибора |
| 3. Крышка батарейного отсека | 14. Вкладыш |
| 4. Рычаг фиксации батареи | 15. Адаптер |
| 5. Аккумуляторная батарея | 16. Винты |
| 6. Кнопка RIGHT/REC | 17. Стопорный винт |
| 7. Кнопка MENU | 18. Винт |
| 8. Кнопка LEFT/MODE | 19. Рычаг адаптера |
| 9. Кнопка ON | 20. Узел крепления |
| 10. Ручка фокусировки объектива | 21. Монокуляр Pulsar 5x30 B |
| 11. Разъём USB | |



⚡ РАБОТА КНОПОК

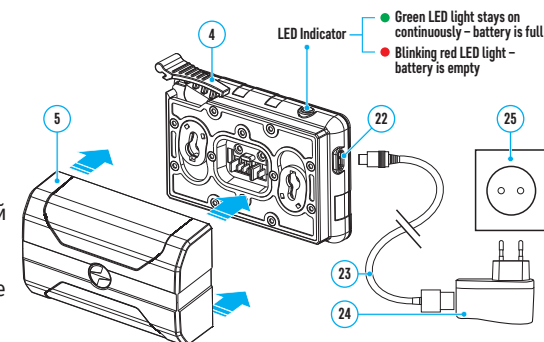
Орган управления	Условие/Режим работы	1 короткое нажатие	Следующие короткие нажатия	Длительное нажатие
ON (9) ⏻	Прибор выключен	Включение прибора	Калибровка прибора	Включение прибора
	Дисплей выключен	Включение дисплея	Калибровка прибора	Выключение прибора
	Прибор включен, быстрое меню, основное меню			Выключение дисплея / Выключение прибора
LEFT/MODE (8) ◀	Прибор включен	Режимы наблюдения		Выбор палитры
	Быстрое меню	Уменьшение параметра		
	Основное меню	Навигация вниз, против часовой стрелки		
MENU (7) □	Прибор включен	Вход в быстрое меню		Вход в основное меню
	Быстрое меню	Навигация вверх		Выход из быстрого меню
	Основное меню	Подтверждение значения, вход в пункты меню		Выход из пунктов меню, из основного меню
RIGHT/REC (6) ▶	Прибор включен, видео режим	Старт видео записи	Пауза	Переключение режимов видео/фото
	Прибор включен, видео режим, запись включена	Пауза	Продолжение видео записи	Стоп видеозаписи
	Прибор включен, фото режим	Фотографирование		Переключение режимов видео/фото
	Быстрое меню	Увеличение параметра		
	Основное меню	Навигация вверх, по часовой стрелке		

⚡ ИСПОЛЬЗОВАНИЕ АККУМУЛЯТОРНОЙ БАТАРЕИ

Тепловизор KRYPTON XG50 поставляется с перезаряжаемой литий-ионной батареей Battery Pack IPS7, которая позволяет использовать прибор на протяжении до 8 часов. Зарядите батарею перед первым использованием.

ЗАРЯДКА АККУМУЛЯТОРНОЙ БАТАРЕИ

- Поднимите рычаг (4) зарядного устройства.
- Снимите защитную крышку с аккумуляторной батареи.
- Установите аккумуляторную батарею (5) в зарядное устройство до упора, зафиксируйте батарею, опустив рычаг (4).
- При установке на зарядном устройстве загорится индикатор зеленого цвета и начнет кратко мигать с определенным интервалом:
 - один раз, если заряд батареи составляет от 0 до 50%
 - два раза, если заряд батареи составляет от 51 до 75%
 - три раза, если заряд батареи составляет от 76 до 100%.



Если индикатор постоянно горит зеленым, значит, батарея полностью заряжена. Отключите зарядное

устройство от сети, отсоедините батарею от зарядного устройства.

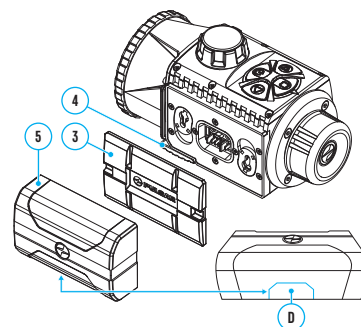
- Для заряда батареи подключите штекер microUSB кабеля USB (23) к разъёму (22) зарядного устройства.
- Подключите второй штекер кабеля USB (23) к сетевому устройству (24).
- Включите сетевое устройство (24) в розетку 100-240 В (25) – начнётся процесс заряда батареи.

Внимание! Если индикатор зарядного устройства при установке батареи постоянно горит красным, вероятно уровень заряда батареи ниже допустимого значения (батарея находилась длительное время в разряженном состоянии). В таком случае:

- подключите зарядное устройство со вставленной батареей к сети и оставьте на более длительное время (до нескольких часов) заряжаться.
- Извлеките батарею из зарядного устройства, а затем вставьте её повторно в зарядное устройство.
- Если индикатор станет мигать зелёным цветом, значит батарея исправна.
- Если индикатор продолжает гореть красным – батареей неисправна. Не используйте эту батарею!

УСТАНОВКА АККУМУЛЯТОРНОЙ БАТАРЕИ

- Опустите рычаг (4).
- Снимите защитную крышку батарейного отсека (3).
- Извлеките батарею (5) из зарядного устройства.
- Установите батарею (5) в предназначенный для нее слот на корпусе прибора таким образом, чтобы элемент D (выступ на корпусе батареи) находился снизу.
- Зафиксируйте батарею (5), подняв рычаг (4).



МЕРЫ ПРЕДОСТОРОЖНОСТИ

- Для заряда батарей IPS всегда используйте зарядное устройство IPS из комплекта поставки прибора (либо приобретённое отдельно). Использование неподходящего зарядного устройства может нанести непоправимый ущерб батарее и привести к её возгоранию.
- Не заряжайте батарею непосредственно после перемещения батареи из холода в тепло. Подождите не менее 30 минут, пока батарея нагреется.
- Во время зарядки не оставляйте батарею без присмотра.
- Не используйте зарядное устройство, если его конструкция была изменена или оно было повреждено.
- Не оставляйте батарею в зарядном устройстве, подключенном к сети, после завершения зарядки.
- Не подвергайте батарею воздействию высоких температур и открытого огня.
- Запрещается использовать батарею в качестве источника питания для устройств, не поддерживающих батарею IPS 7.
- Не разбирайте и не деформируйте батарею и зарядное устройство.
- Не подвергайте батарею и зарядное устройство ударам и падениям.
- Батарея и зарядное устройство не предназначены для погружения в воду.
- Храните батарею и зарядное устройство в месте, недоступном для детей.



Внимание! Не используйте аккумуляторную батарею IPS 14 с KRYPTON XG50 из-за ее большого веса.

РЕКОМЕНДАЦИИ ПО ЭКСПЛУАТАЦИИ

- При длительном хранении батареи должна быть частично заряжена – от 50 до 80 %.
- Зарядка батареи должна осуществляться при температуре окружающей среды 0 °С ... +35 °С. В противном случае ресурс батареи существенно снизится.
- При использовании батареи при отрицательных внешних температурах емкость батареи уменьшается, это нормально и дефектом не является.
- Не используйте батарею при температурах, выходящих за пределы диапазона -25 ... +50 °С – это может сократить ресурс батареи.
- Батарея оснащена системой защиты от короткого замыкания. Однако следует избегать ситуаций, которые могут привести к короткому замыканию.

⚡ ВНЕШНЕЕ ПИТАНИЕ

Внешнее питание осуществляется от источника внешнего питания типа Power Bank (5 В).

- Подключите источник внешнего питания к разъёму USB (11) прибора.
- Прибор переключится на работу от внешнего питания, при этом батарея IPS 7 будет постепенно подзаряжаться.
- На дисплее появится пиктограмма батареи  со значением уровня заряда в процентах.
- Если прибор работает от источника внешнего питания, но батарея IPS 7 не подключена, отображается пиктограмма .
- При отключении источника внешнего питания насадка начнет работать от батареи.

Внимание! Зарядка батарей IPS 7 от Power Bank при температуре воздуха ниже 0 °С может привести к снижению ресурса батареи. Power Bank необходимо подключать к включённому прибору, который проработал несколько минут.

⚡ ЭКСПЛУАТАЦИЯ

ВНИМАНИЕ! Запрещается направлять объектив прибора на интенсивные источники энергии, такие как устройства, испускающие лазерное излучение, или солнце. Это может вывести электронные компоненты прибора из строя. На повреждения, вызванные несоблюдением правил эксплуатации, гарантия не распространяется.

УСТАНОВКА ТЕПЛОВИЗИОННОГО МОДУЛЯ НА ОПТИЧЕСКИЙ ПРИБОР

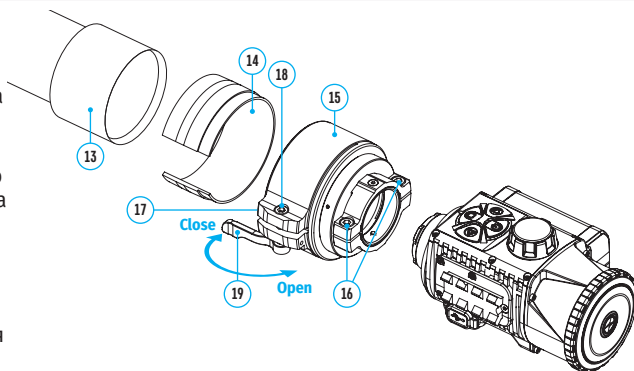
- Снимите защитную крышку (2) с окулярной части тепловизионного модуля.
- Подберите адаптер (15) (приобретается отдельно) с вкладышем (14) нужного диаметра в зависимости от наружного диаметра объектива Вашего оптического прибора (13) (см. таблицу). Обозначение 42 мм / 50 мм / 56 мм в наименовании адаптера означают световой диаметр объектива оптического прибора.

Таблица подбора вкладышей для оптических приборов

Модель адаптера	Соответствие внутреннего диаметра вкладыша и внешнего диаметра корпуса объектива дневного оптического прибора	
	Внутренний диаметр вкладыша, мм	Внешний диаметр объектива дневного оптического прибора, мм
Адаптер PSP 42 мм	45.5	45.5
	46	46
	46.5	46.5
	47	46.7-47.6
	48	47.7- 48.6
	49	48.7-49.6
	50	49.7-50.6

Модель адаптера	Соответствие внутреннего диаметра вкладыша и внешнего диаметра корпуса объектива дневного оптического прибора	
	Внутренний диаметр вкладыша, мм	Внешний диаметр объектива дневного оптического прибора, мм
Адаптер PSP 50 мм	51.6	51.6
	53.4	53.4
	55	54.7-55.6
	56	55.7-56.6
	57	56.7-57.6
	58	57.7-58.6
	59	58.7-59.6
Адаптер PSP 56 мм	60	59.7-60.6
	61	60.7-61.6
	62	61.7-62.6
	63	62.7-63.6
	64	63.7-64.6
	65	64.7-65.6

- Накрутите адаптер (15) на тепловизионный модуль по резьбе узла крепления (20). Рекомендуемое положение рычага (6) – справа (см. рисунок).
- Поочередно за несколько подходов подожмите винты (16) до тугого хода сферического шарнира в адаптере (15).
- Установите до упора выбранный вами вкладыш (14) в адаптер (15).
- Перед установкой адаптера (15) на оптический прибор рекомендуется обезжирить корпус объектива оптического прибора (13).

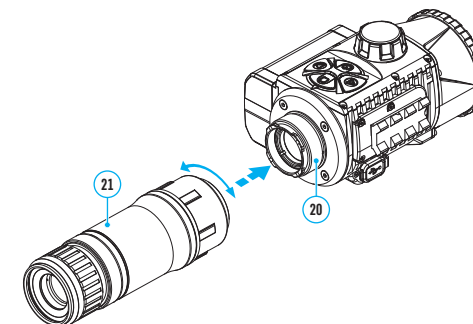


- Установите до упора адаптер (15) с вкладышем (14) на объектив оптического прибора (13).
- Переведите рычаг (19) из первоначального положения «открыто» (OPEN) в положение «закрото» (CLOSE).
- Проверьте, плотно ли адаптер (15) прилегает к объективу (13).
- В случае свободного перемещения адаптера с тепловизионным модулем относительно объектива оптического прибора (13) сделайте следующее:
 - Ослабьте шестигранным ключом (S=2mm) стопорный винт (17).
 - Затяните винт (18) шестигранным ключом (S=4mm). Усилие зажима должно обеспечивать тугую работу рычага (6), при этом не должно происходить перемещения адаптера с тепловизионным модулем относительно корпуса оптического прибора (13). При необходимости поджимайте или ослабляйте винт (18) до тех пор, пока не будет достигнута оптимальная работа рычага (19).
 - Закрутите стопорный винт (17) до упора.

- Включите тепловизионный модуль нажатием кнопки ON (9).
- Наклоняя тепловизионный модуль, совместите центр изображения на дисплее с центром изображения оптического прибора.
- Поворачивая тепловизионный модуль по часовой стрелке или против часовой стрелки, выровняйте верхнюю и нижнюю границы дисплея параллельно горизонтали оптического прибора.
- Добившись оптимального положения тепловизионного модуля, затяните два винта (16) за несколько подходов до упора. Усилие зажима должно составлять не более 7 Н·м (можно проверить динамометрической отверткой)

УСТАНОВКА МОНОКУЛЯРА НА ТЕПЛОВИЗИОННЫЙ МОДУЛЬ

- Монокюляр Pulsar 5x30 В (21) позволяет трансформировать тепловизионный модуль в наблюдательный тепловизионный прибор с увеличением 5 крат.
- Совместите выступы на монокуляре с пазами узла крепления (20).
- Поверните монокуляр по часовой стрелке для его фиксации на тепловизионном модуле.
- Для того чтобы снять монокуляр, поверните его против часовой стрелки и отсоедините от тепловизионного модуля.



Примечание: монокуляр можно устанавливать на тепловизионный модуль с уже установленным адаптером.

ВКЛЮЧЕНИЕ И НАСТРОЙКА ИЗОБРАЖЕНИЯ

- Снимите крышку объектива (1), повернув ее против часовой стрелки.
- Включите тепловизор нажатием кнопки ON (9).
- Настройте резкое изображение символов на дисплее вращением кольца диоптрийной настройки окуляра вашего оптического прибора. В дальнейшем, независимо от дистанции и других условий, вращать кольцо диоптрийной настройки окуляра не требуется.
- Для фокусировки на объект наблюдения вращайте ручку фокусировки объектива (10).
- Войдите в основное меню долгим нажатием кнопки MENU (7) и выберите нужный режим калибровки - ручной (M), полуавтоматический (SA) или автоматический (A).
- Откалибруйте изображение кратким нажатием кнопки ON (9). Перед ручной калибровкой закройте крышку объектива.
- Выберите нужный режим наблюдения («Лес», «Скалы», «Идентификация», «Пользовательский») кратким нажатием кнопки MODE (8) или в основном меню. Пользовательский режим позволяет настроить и сохранить пользовательские параметры яркости и контраста в быстром меню прибора.
- Выберите одну из двух цветовых палитр долгим нажатием кнопки MODE (8).
- Активируйте быстрое меню кратким нажатием кнопки MENU (7), чтобы настроить яркость и контраст дисплея (подробнее см. в разделе «Функции быстрого меню» инструкции).
- По завершении использования выключите прибор длительным нажатием кнопки ON (9).

⚡ КАЛИБРОВКА МИКРОБОЛОМЕТРА

Калибровка позволяет выровнять температурный фон микроболометра и устранить недостатки изображения (такие как вертикальные полосы, фантомные изображения и пр.).

Во время калибровки изображение на дисплее застывает на короткое время до 1 секунды.

Имеется три режима калибровки: ручной (M), полуавтоматический (SA) и автоматический (A).

Выберите нужный режим в пункте меню «Режим калибровки» ↕.

Режим M (ручной).

- Закройте крышку объектива, выполните краткое нажатие кнопки ON (9).
- По завершению процесса калибровки откройте крышку.

Режим SA (полуавтоматический)

- Калибровка включается коротким нажатием кнопки ON (9).
- Крышку закрывать не требуется (микроболометр закрывается внутренней шторкой).

Режим A (автоматический)

- Прибор калибруется самостоятельно, согласно программному алгоритму.
- Крышку закрывать не требуется (микроболометр закрывается внутренней шторкой).
- В данном режиме допускается калибровка прибора пользователем с помощью кнопки ON (9).

⚡ IMAGE DETAIL BOOST

Функция «Image Detail Boost» ▾ увеличивает резкость контуров нагретых объектов, что повышает их детализацию. Результат работы функции зависит от выбранного режима и условий наблюдения: чем выше контрастность объектов, тем заметнее эффект. Эта опция включена по умолчанию, но может быть выключена в основном меню.

⚡ ФУНКЦИИ БЫСТРОГО МЕНЮ

- Войдите в быстрое меню кратким нажатием кнопки MENU (7).
- Для перехода между функциями, описанными ниже, кратко нажимайте кнопку MENU (7).

Яркость ☀ – нажатием кнопок RIGHT (6) и LEFT (8) изменяйте значение яркости дисплея от 0 до 20.

Контраст ⦿ – нажатием кнопок RIGHT (6) и LEFT (8) изменяйте значение контраста изображения от 0 до 20.

Базовый режим ▲ 🌲 👁 – позволяет выбрать один из трёх режимов в качестве базового для пользовательского режима.

- Для выхода из меню нажмите и удерживайте кнопку MENU (7) либо подождите 10 секунд для автоматического выхода..

⚡ ФУНКЦИИ ОСНОВНОГО МЕНЮ

- Войдите в основное меню длительным нажатием кнопки MENU (7).
- Для перемещения по пунктам основного меню нажимайте кнопки RIGHT (6) и LEFT (8).
- Для входа в подпункт основного меню кратко нажмите кнопку MENU (7).
- Для выхода из подпункта основного меню нажмите и удерживайте кнопку MENU (7).

Автоматический выход из основного меню происходит после 10 секунд бездействия.



ОБЩИЙ ВИД МЕНЮ

Режим	Выбор режима наблюдения.
👁	В приборе имеется четыре режима наблюдения: «Лес» (режим наблюдения объектов в условиях низкого температурного контраста), «Скалы» (режим наблюдения объектов в условиях высокого температурного контраста), «Идентификация» (режим высокой детализации), «Пользовательский» (индивидуальная настройка яркости и контраста). Вариант 1: <ul style="list-style-type: none">• Кратко нажмите кнопку MODE (8) для переключения режима наблюдения Вариант 2: <ul style="list-style-type: none">• Нажмите и удерживайте кнопку MENU (7) для входа в меню.• Кнопками RIGHT (6) / LEFT (8) выберите раздел «Режим»• Кратко нажмите кнопку MENU (7) для входа в раздел меню.• Кнопками RIGHT (6) / LEFT (8) выберите один из режимов, описанных ниже.• Кратко нажмите MENU (7) для подтверждения выбора. ▲ Режим «Скалы». Оптимален при наблюдении объектов после солнечного дня или в городских условиях. 🌲 Режим «Лес». Оптимален при поиске и наблюдении в полевых условиях, на фоне листвы, кустарника и травы. Режим дает высокий уровень информативности как о наблюдаемом объекте, так и о деталях ландшафта. 👁 Режим «Идентификация». Оптимален для распознавания объектов наблюдения в неблагоприятных условиях (туман, дымка, дождь, снег). Позволяет более четко распознать характерные признаки наблюдаемого объекта. Увеличение детализации может сопровождаться небольшой зернистостью изображения. 👁 Режим «Пользовательский». Позволяет настроить и сохранить пользовательские параметры яркости и контраста, а также один из трёх режимов в качестве базового.
Image Detail Boost	Включение/выключение функции «Image Detail Boost». <ul style="list-style-type: none">• Нажмите и удерживайте кнопку MENU (7) для входа в основное меню.• Кнопками RIGHT (6) / LEFT (8) выберите пункт «Image Detail Boost».• Кратко нажмите кнопку MENU (7) для входа в подменю.• Включите или отключите пункт «Image Detail Boost» кнопками RIGHT (6) или LEFT (8).• Подтвердите выбор кратким нажатием кнопки MENU (7).
Настройки Wi-Fi	Данный пункт позволяет настроить прибор для работы в сети Wi-Fi. <ul style="list-style-type: none">• Нажмите и удерживайте кнопку MENU (7) для входа в основное меню.• Кнопками RIGHT (6) / LEFT (8) выберите пункт «Настройки Wi-Fi».• Кратко нажмите кнопку MENU (7) для входа в раздел меню.
Включение Wi-Fi	Включение / Выключение Wi-Fi. <ul style="list-style-type: none">• Кнопками RIGHT (6) / LEFT (8) выберите пункт «Включение Wi-Fi».• Кратко нажмите кнопку MENU (7) для входа в подменю.• Включите или отключите Wi-Fi кнопками RIGHT (6) или LEFT (8).• Подтвердите выбор кратким нажатием кнопки MENU (7).
Настройка пароля	Данный пункт позволяет настроить пароль доступа к прибору со стороны внешнего устройства. Пароль используется при подключении внешнего устройства (например, смартфона) к прибору. <ul style="list-style-type: none">• Кнопками RIGHT (6) / LEFT (8) выберите пункт «Настройка пароля».• Нажмите кнопку MENU (7) для входа в подменю.• На дисплее появится пароль – по умолчанию «12345678».• Кнопками RIGHT (6) / LEFT (8) установите желаемый пароль. Для перемещения между разрядами нажимайте кнопку MENU (7).• Для сохранения пароля и выхода из подменю нажмите и удерживайте кнопку MENU (7).

Настройка уровней доступа 🔒	<p>Данный подпункт позволяет настроить необходимый уровень доступа к своему прибору, который получает приложение Stream Vision.</p> <ul style="list-style-type: none"> • Уровень «Хозяин». Пользователь из Stream Vision имеет полный доступ ко всем функциям прибора. • Уровень «Гость». Пользователь из Stream Vision имеет возможность только просматривать видео с прибора в реальном времени. • Кнопками RIGHT (6) и LEFT (8) выберите пункт подменю «Настройка уровня доступа». • Кратко нажмите кнопку MENU (7) для входа в подменю. • Кнопками RIGHT (6) и LEFT (8) выберите уровень доступа – «Хозяин» или «Гость». • Подтвердите выбор кратким нажатием кнопки MENU (7).
Общие настройки ⚙️	<p>Данный раздел меню позволяет сменить язык интерфейса, установить дату, время, вернуться к заводским настройкам, а также отформатировать карту памяти.</p> <ul style="list-style-type: none"> • Нажмите и удерживайте кнопку MENU (7) для входа в меню. • Кнопками RIGHT (6) / LEFT (8) выберите раздел «Общие настройка». • Кратко нажмите кнопку MENU (7) для входа в раздел меню. • Кнопками RIGHT (6) / LEFT (8) выберите нужный раздел меню.
Язык 🌐	<p>Выбор языка.</p> <ul style="list-style-type: none"> • Войдите в подменю «Язык» коротким нажатием кнопки MENU (7). • Кнопками RIGHT (6) / LEFT (8) выберите один из доступных языков интерфейса: английский, французский, немецкий, испанский, русский. • Подтвердите выбор кратким нажатием кнопки MENU (7).
Дата 📅	<p>Настройка даты.</p> <ul style="list-style-type: none"> • Войдите в подменю «Дата» коротким нажатием кнопки MENU (7). Дата отображается в формате дд/мм/гггг. • Кнопками RIGHT (6) / LEFT (8) выберите нужное значение года, месяца и даты. Для перемещения между разрядами кратко нажимайте кнопку MENU (7). • Для сохранения выбранной даты и выхода из подменю нажмите и удерживайте кнопку MENU (7).
Время 🕒	<p>Настройка времени</p> <ul style="list-style-type: none"> • Войдите в подменю «Время» коротким нажатием кнопки MENU (7). • Нажатием кнопок RIGHT (6) / LEFT (8) выберите формат времени – 24 или PM/AM. • Для перехода к настройке значения часа нажмите кнопку MENU (7). • Нажатием кнопок RIGHT (6) / LEFT (8) выберите значение часа. • Для перехода к настройке значения минут нажмите кнопку MENU (7). • Нажатием кнопок RIGHT (6) / LEFT (8) выберите значение минут. • Для сохранения выбранного времени и выхода из подменю нажмите и удерживайте кнопку MENU (7).

Настройки по умолчанию ↩️	<p>Возврат к заводским настройкам.</p> <ul style="list-style-type: none"> • Войдите в подменю «Настройки по умолчанию» коротким нажатием кнопки MENU (7). • Кнопками RIGHT (6) / LEFT (8) выберите вариант «Да» для возврата к заводским настройкам или «Нет» для отмены действия. • Подтвердите выбор кратким нажатием кнопки MENU (7). • Если выбран вариант «Да», на дисплее появится сообщения «Вы хотите вернуться к настройкам по умолчанию?» и варианты «Да» и «Нет». Выберите «Да» для подтверждения возврата к настройкам по умолчанию. • Если выбран вариант «Нет», осуществляется отказ возврата к настройкам по умолчанию. <p>Следующие настройки будут возвращены в первоначальное состояние до их изменения пользователем:</p> <ul style="list-style-type: none"> – Режим работы видео рекордера – видео – Режим наблюдения – «Лес» – Режим калибровки – автоматический – Язык – английский – Wi-Fi – выключен (пароль по умолчанию) – Цветовая палитра – White Hot <p>Внимание: при возврате к заводским настройкам значения даты, времени, пользовательская карта пикселей сохраняются.</p>
Форматирование 🗑️	<p>Данный пункт позволяет осуществить форматирование Flash-карты (карты памяти) прибора (при этом произойдет удаление всех файлов с карты памяти).</p> <ul style="list-style-type: none"> • Войдите в подменю «Форматирование» коротким нажатием кнопки MENU (7). • Кнопками RIGHT (6) / LEFT (8) выберите вариант «Да» для форматирования карты памяти или «Нет» для возврата в подменю. • Подтвердите выбор нажатием кнопки MENU (7). • Если выбран вариант «Да», на дисплее появится сообщения «Вы хотите отформатировать карту памяти?» и варианты «Да» и «Нет». Выберите вариант «Да» для форматирования карты памяти. • Если выбран вариант «Нет», осуществляется отказ от форматирования и возврат в подменю.
Авто-отключение 🔌	<p>Данный пункт позволяет активировать функцию автоматического отключения прибора, находящегося в нерабочем положении (наклон вверх или вниз на угол более 70°, вправо или влево - на угол более 30°).</p> <ul style="list-style-type: none"> • Нажмите и удерживайте кнопку MENU (7) для входа в основное меню. • Кнопками RIGHT (6) / LEFT (8) выберите подменю «Автоотключение». • Кратко нажмите кнопку MENU (7) для входа в подменю. • Кнопками RIGHT (6) / LEFT (8) выберите временной промежуток, в течение которого прибор, находящийся в нерабочем положении, будет автоматически выключаться (1 мин, 3 мин, 5 мин), либо вариант «Off», если вы хотите деактивировать функцию автоматического отключения прибора. • Подтвердите выбор кратким нажатием кнопки MENU (7). <p>Примечание: если функция автоотключения прибора активна, в строке статуса отображается пиктограмма и выбранное время отключения в формате «🔌 1 min».</p>

Информация о приборе ⓘ	Данный пункт позволяет пользователю просмотреть следующую информацию о приборе: <ul style="list-style-type: none"> – Номер SKU прибора – Версия ПО прибора – Полное наименование прибора – Версия сборки прибора – Серийный номер прибора – Служебная информация. Для отображения информации: <ul style="list-style-type: none"> • Нажмите и удерживайте кнопку MENU (7) для входа в основное меню. • Кнопками RIGHT (6) / LEFT (8) выберите пункт «Информация о приборе» ⓘ . • Кратко нажмите MENU (7) для подтверждения выбора.
Лечение «битых» пикселей ⊕	Во время эксплуатации прибора на микроболометре возможно появление дефектных (т.н. «битых») пикселей, т.е. ярких либо темных точек с постоянной яркостью, видимых на изображении. <p>Тепловизоры KRYPTON XG50 предоставляют возможность удалить дефектные пиксели на микроболометре программным способом, а также отменить удаление.</p> <ul style="list-style-type: none"> • Нажмите и удерживайте кнопку MENU (7) для входа в основное меню. • Кнопками RIGHT (6) / LEFT (8) выберите раздел меню «Лечение "битых" пикселей» ⊕ . • Нажатием кнопки MENU (7) войдите в раздел меню.
Лечение «битых» пикселей ⊕	<ul style="list-style-type: none"> • Выберите пункт «Лечение "битых" пикселей» кратким нажатием кнопки MENU (7). • В левой части дисплея появится маркер >X (H). • В правой части дисплея появится «лупа» (G) - прямоугольник с увеличенным видом маркера для точного выбора пикселя - и координаты (I) маркера под «лупой». • Краткими нажатиями кнопок RIGHT (6) / LEFT (8) совместите дефектный пиксель с центром увеличенного маркера в «лупе» - пиксель должен исчезнуть. Для переключения направления движения маркера с горизонтального на вертикальное и наоборот кратко нажмите кнопку MENU (7). • Удалите дефектный пиксель нажатием кнопки ON (9). • В случае успешного удаления в рамке появится кратковременное сообщение «OK». • Далее, перемещая маркер по дисплею, вы можете удалить следующий дефектный пиксель. • Для выхода из функции «Лечение "битых" пикселей» нажмите и удерживайте кнопку MENU (7). <div data-bbox="779 726 1079 917" style="border: 1px solid black; padding: 5px; margin: 10px 0;"> </div>
Возврат к заводской карте пикселей ⬅	Возврат всех ранее отключенных пользователем дефектных пикселей в исходное состояние: <ul style="list-style-type: none"> • Кнопками RIGHT (6) / LEFT (8) выберите пункт «Возврат к заводской карте пикселей» ⬅. • Активируйте функцию кратким нажатием кнопки MENU (7). • Кнопками RIGHT (6) / LEFT (8) выберите «Да», если хотите вернуться к заводской карте пикселей, или «Нет», если не хотите. • Подтвердите выбор кратким нажатием кнопки MENU (7). <p>Внимание! На дисплее тепловизора допускается 1-2 пикселя в виде ярких белых, темных или цветных (синих, красных, зеленых) точек, которые не удаляются и дефектом не являются.</p>

Микрофон 🎤	Включение/выключение микрофона. <p>Данный пункт позволяет включить (или отключить) микрофон для осуществления записи звука во время видеозаписи.</p> <ul style="list-style-type: none"> • Нажмите и удерживайте кнопку MENU (7) для входа в меню. • Кнопками RIGHT (6) / LEFT (8) выберите пункт меню «Микрофон». • Кратко нажмите кнопку MENU (7) для входа в подменю. • Включите или отключите микрофон кнопками RIGHT (6) или LEFT (8). • Подтвердите выбор кратким нажатием кнопки MENU (7).
Яркость пиктограмм ☀	Регулировка яркости пиктограмм. <ul style="list-style-type: none"> • Нажмите и удерживайте кнопку MENU (7) для входа в меню. • Кнопками RIGHT (6) / LEFT (8) выберите раздел «Яркость пиктограмм» ☀ . • Кратко нажмите кнопку MENU (7) для входа в раздел меню. • Кнопками RIGHT (6) / LEFT (8) выберите уровень яркости пиктограмм от 0 до 10. • Кратко нажмите кнопку MENU (7) для подтверждения выбора.
Режим калибровки ⚙	Выбор режима калибровки микроболометра. Имеется три режима калибровки – ручной, полуавтоматический и автоматический. <ul style="list-style-type: none"> • Нажмите и удерживайте кнопку MENU (7) для входа в меню. • Кнопками RIGHT (6) / LEFT (8) выберите раздел «Режим калибровки» . • Кратко нажмите кнопку MENU (7) для входа в раздел меню. • Кнопками RIGHT (6) / LEFT (8) выберите один из режимов калибровки, описанных ниже. • Кратко нажмите MENU (7) для подтверждения выбора. <p>Автоматический. В автоматическом режиме определение необходимости калибровки происходит программно, запуск процесса калибровки осуществляется автоматически.</p> <p>Полуавтоматический. Пользователь самостоятельно (по состоянию наблюдаемого изображения) определяет необходимость калибровки.</p> <p>Ручной. Ручная калибровка. Перед началом калибровки закройте крышку объектива.</p>

⚡ СТРОКА СТАТУСА



Строка статуса располагается в нижней части дисплея и отображает информацию о состоянии работы прибора, в том числе:

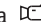

- Цветовая палитра (отображается только при установленной цветовой палитре «Black Hot» (Горячий чёрный))
- Режим наблюдения
- Режим калибровки (в автоматическом режиме калибровки, когда до момента автоматической калибровки остается 3 секунды, вместо пиктограммы калибровки отображается таймер с обратным отсчетом)
- Микрофон
- Подключение по Wi-Fi
- Функция «Автоотключение» (например, 1 мин)
- Текущее время
- Индикация питания:
 - ☰ - уровень заряда, если прибор питается от аккумуляторной батареи
 - ⚡☰ - уровень заряда, если прибор питается от аккумуляторной батареи и идёт зарядка
 - ☰ - батарея отсутствует, прибор подключён к внешнему источнику питания.

⚡ ВИДЕОЗАПИСЬ И ФОТОСЪЕМКА НАБЛЮДАЕМОГО ИЗОБРАЖЕНИЯ

Тепловизоры KRYPTON XG50 имеют функцию видеозаписи и фотосъемки наблюдаемого изображения на встроенную карту памяти. Перед использованием функций фото- и видеозаписи рекомендуется настроить дату и время (см. соответствующие пункты меню).

Встроенное записывающее устройство работает в двух режимах:

РЕЖИМ ВИДЕО. ВИДЕОЗАПИСЬ ИЗОБРАЖЕНИЯ

- При включении прибор находится в режиме ВИДЕО.
- В правом верхнем углу отображается пиктограмма  и оставшееся время для записи (в формате чч : мм), например 5:12.
- Кратко нажмите кнопку RIGHT/REC (6) для начала видеозаписи.
- После начала видеозаписи пиктограмма  исчезает, вместо нее появляется пиктограмма REC и таймер записи в формате ММ:SS (минуты : секунды) ●REC | 00:25.
- Для того чтобы поставить видеозапись на паузу и далее возобновить запись, кратко нажимайте кнопку RIGHT/REC (6).
- Для остановки видеозаписи нажмите и удерживайте кнопку RIGHT/REC (6).
- Видеофайлы сохраняются на встроенную карту памяти после выключения записи видео.
- Для переключения между режимами (ВИДЕО-> ФОТО-> ВИДЕО...) нажмите и удерживайте кнопку RIGHT/REC (6).

РЕЖИМ ФОТО. ФОТОСЪЕМКА ИЗОБРАЖЕНИЯ

- Перейдите в режим ФОТО долгим нажатием кнопки RIGHT/REC (6).
- Кратко нажмите кнопку RIGHT/REC (6) для того, чтобы сделать фотоснимок. Изображение замирает на 0,5 сек - файл фотоснимка сохраняется на встроенную карту памяти.





Примечание: Во время записи видео возможен вход в меню и работа в меню прибора. Записанные видеоролики и фотографии сохраняются на встроенную карту памяти прибора в виде img_xxx.jpg (для фото); video_xxx.mp4 (для видео). xxx – трехразрядный общий счетчик файлов (для фото и видео). Счетчик, используемый в именовании мультимедиа файлов, НЕ сбрасывается.

Внимание: Максимальная продолжительность записываемого видеофайла – 5 минут. По истечении этого времени видео записывается в новый файл. Количество файлов ограничено объемом встроенной памяти прибора. Регулярно контролируйте объем свободной памяти встроенной карты памяти, переносите отснятый материал на другие носители, освобождая место на карте памяти.



⚡ ФУНКЦИЯ WI-FI

Прибор имеет функцию беспроводной связи с внешними устройствами (компьютер, смартфон) посредством Wi-Fi.

Включите модуль беспроводной связи в основном меню. Работа Wi-Fi отображается в статусной строке следующим образом:

Статус подключения	Индикация в строке статуса
Wi-Fi выключен	
Идет процесс включения Wi-Fi в приборе	
Wi-Fi включен, подключение к прибору отсутствует	
Wi-Fi включен, подключение к прибору установлено	

- Внешним устройством прибор опознается под именем «KRYPTON_XXXX», где XXXX – последние четыре цифры серийного номера.

- После ввода пароля на внешнем устройстве (подробнее об установке пароля - в подразделе «Настройка Wi-Fi» раздела «Функции основного меню» инструкции) и установки связи пиктограмма  в статусной строке прибора меняется на .

⚡ ФУНКЦИЯ «ДИСПЛЕЙ ВЫКЛЮЧЕН» (DISPLAY OFF)

При использовании данной функции прибор переходит в режим ожидания, что позволяет при необходимости быстро его включить.



- Когда прибор включен, нажмите и удерживайте кнопку ON (9) менее 3-х секунд. Дисплей погаснет, появится сообщение «Дисплей выключен».
- Для включения дисплея кратко нажмите кнопку ON (9).
- При удержании кнопки ON (9) на дисплее отображается сообщение «Дисплей выключен» с обратным отсчетом и прибор выключится.

⚡ STREAM VISION

Тепловизоры KRYPTON XG50 поддерживают технологию Stream Vision, которая позволяет посредством Wi-Fi транслировать изображение с тепловизора на Ваш смартфон либо планшет в режиме реального времени.

Подробные инструкции по работе Stream Vision Вы можете найти в отдельном буклете либо на сайте www.pulsar-vision.com



Примечание: в конструкцию прибора заложена возможность обновления программного обеспечения.

Процедура обновления ПО:

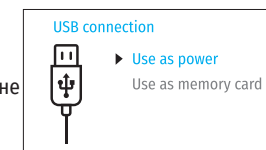
- Загрузите бесплатное приложение Stream Vision в Google Play или App Store. Для того чтобы скачать приложение, сканируйте QR коды.
- Подключите устройство Pulsar к мобильному устройству (смартфон или планшет).
- Запустите Stream Vision и перейдите в раздел «Мои устройства».
- Выберите устройство Pulsar и нажмите «Проверить обновления».

Важно:

- если ваше устройство Pulsar подключено к телефону, пожалуйста, включите передачу мобильных данных (GPRS / 3G / 4G), чтобы загрузить обновление;
- если ваше устройство Pulsar не подключено к вашему телефону, но оно уже находится в разделе «Мои устройства», вы можете использовать Wi-Fi для загрузки обновления.
- Дождитесь загрузки и установки обновления. Устройство Pulsar перезагрузится и будет готово к работе.

⚡ ПОДКЛЮЧЕНИЕ USB

- Подключите один конец кабеля USB (23) к разъему microUSB (11) прибора, второй – к порту вашего компьютера.
- Включите прибор нажатием кнопки ON (9) (выключенный прибор компьютером не определяется).
- Прибор определится компьютером автоматически, установка драйверов не требуется.
- На дисплее появится два варианта подключения: «Питание» (Power) и



«Карта памяти» (Memory card).

- Кнопками RIGHT (6) и LEFT (8) выберите вариант подключения.
- Кратко нажмите кнопку MENU (7) для подтверждения выбора.

«ПИТАНИЕ» (POWER)

- При выборе данного варианта компьютер используется прибором как внешнее питание. В строке статуса появится пиктограмма . Прибор продолжает работать, все функции доступны.
- Зарядка аккумуляторной батареи, установленной в приборе, не производится.
- При отключении USB от прибора, подключенного в режиме «Питание», прибор продолжает работать от аккумуляторной батареи при ее наличии и достаточном ее заряде.

«КАРТА ПАМЯТИ» (MEMORY CARD)

- При выборе данного варианта прибор распознается компьютером как флеш-карта. Данный вариант предназначен для работы с файлами, которые хранятся в памяти прибора, при этом функции прибора не доступны, прибор выключается автоматически.
- Если в момент подключения производилась запись видео, запись останавливается и сохраняется.
- При отключении USB кабеля от прибора, подключенного в режиме «Карта памяти», прибор остается в выключенном состоянии. Нажатием кнопки ON (9) включите устройство для дальнейшей работы.

⚡ ТЕХНИЧЕСКИЙ ОСМОТР

Технический осмотр рекомендуется производить перед каждым использованием прибора. Проверьте:

- Внешний вид прибора (трещины на корпусе не допускаются).
- Состояние линз объектива и окуляра тепловизионного модуля (трещины, жировые пятна, грязь и другие налеты не допускаются).
- Состояние аккумуляторной батареи (должна быть заряжена) и электрических контактов (наличие солей и окисления не допускаются).
- Работоспособность органов управления.
- Правильность и надежность крепления тепловизионного модуля на оптическом приборе.

⚡ ТЕХНИЧЕСКОЕ ОБСЛУЖИВАНИЕ И ХРАНЕНИЕ

Техническое обслуживание проводится не реже двух раз в год и заключается в выполнении изложенных ниже пунктов:

- Хлопчатобумажной салфеткой очистите наружные поверхности металлических и пластмассовых деталей от пыли и грязи. Допускается применение силиконовой смазки.
- Очистите электрические контакты аккумуляторной батареи и места установки батареи на приборе, используя нежирный органический растворитель.
- Осмотрите линзы окуляра и объектива. При необходимости удалите с линз пыль и песок (желательно бесконтактным методом). Чистку наружных поверхностей оптики производите при помощи специально предназначенных для этих целей средств.
- Храните прибор всегда только в чехле, в сухом, хорошо вентилируемом помещении. При длительном хранении обязательно извлеките аккумуляторную батарею.

⚡ ВЫЯВЛЕНИЕ НЕИСПРАВНОСТЕЙ

В таблице приведен перечень проблем, которые могут возникнуть при эксплуатации прибора. Произведите рекомендуемую проверку и исправление в порядке, указанном в таблице. При наличии дефектов, не перечисленных в таблице, или при невозможности самостоятельно устранить дефект, верните прибор на ремонт.

Неисправность	Возможная причина	Исправление
Тепловизор не включается.	Батарея полностью разрядилась.	Зарядите батарею.
Не работает от внешнего источника питания.	Поврежден кабель USB. Разряжен источник внешнего питания.	Замените кабель USB. Зарядите источник внешнего питания (при необходимости).
Изображение нечеткое, с вертикальными полосами и неравномерным фоном.	Необходима калибровка.	Проведите калибровку изображения согласно инструкциям раздела «Калибровка микроболометра».
Изображение не качественное. Имеются шумы и остаточное изображение предыдущих сцен или объектов.	Калибровка в ручном режиме произведена без закрытия крышки объектива.	Проверить, какой режим калибровки установлен, закрыть крышку объектива и откалибровать прибор.
Изображение слишком темное.	Установлен низкий уровень яркости или контраста.	Отрегулируйте яркость или контраст.
На дисплее появились цветные полосы либо изображение исчезло.	В процессе эксплуатации на прибор воздействовало статическое напряжение.	После воздействия статического напряжения прибор может самостоятельно перезагрузиться либо выключите и повторно включите прибор.
Отсутствует изображение объекта наблюдения.	Наблюдение ведётся через стекло.	Удалите стекло либо смените позицию наблюдения.
Низкое качество изображения / Уменьшение дистанции обнаружения.	Указанные проблемы могут возникать при наблюдении в сложных погодных условиях (снег, дождь, туман и пр.).	
Смартфон или планшет не подключается к прибору.	Изменен пароль в приборе. Прибор находится в зоне с большим количеством сетей Wi-Fi, которые могут создавать помехи.	Удалите сеть и подключитесь повторно с вводом пароля, записанного в приборе. Для обеспечения стабильного функционирования Wi-Fi переместите прибор в зону с меньшим количеством сетей Wi-Fi либо в зону, где они отсутствуют.
Отсутствует или прерывается трансляция сигнала через Wi-Fi.	Смартфон или планшет находится вне зоны уверенного приема сигнала Wi-Fi. Между прибором и приемником сигнала находятся препятствия (например, бетонные стены).	Переместите смартфон или планшет в зону прямой видимости работы сигнала Wi-Fi.
Качество изображения окружающей среды при использовании прибора в условиях пониженных температур хуже, чем в условиях положительных температур.	В условиях положительных температур объекты наблюдения (окружающая среда, фон) за счет различной теплопроводности нагреваются по-разному, за счет чего достигается высокий температурный контраст и соответственно качество изображения, формируемое тепловизором, будет выше. В условиях низких температур объекты наблюдения (фон), как правило, охлаждаются до примерно одинаковых температур, за счет чего существенно снижается температурный контраст, качество изображения (детализация) ухудшается. Это особенность функционирования тепловизионных приборов.	


Срок возможного ремонта прибора составляет 5 лет.



PULSAR
IMAGE . QUALITY

● www.pulsar-vision.com

 PulsarVision

 pulsar.vision

 pulsarvision